

#3 & #5 Preset Panning Rectangular

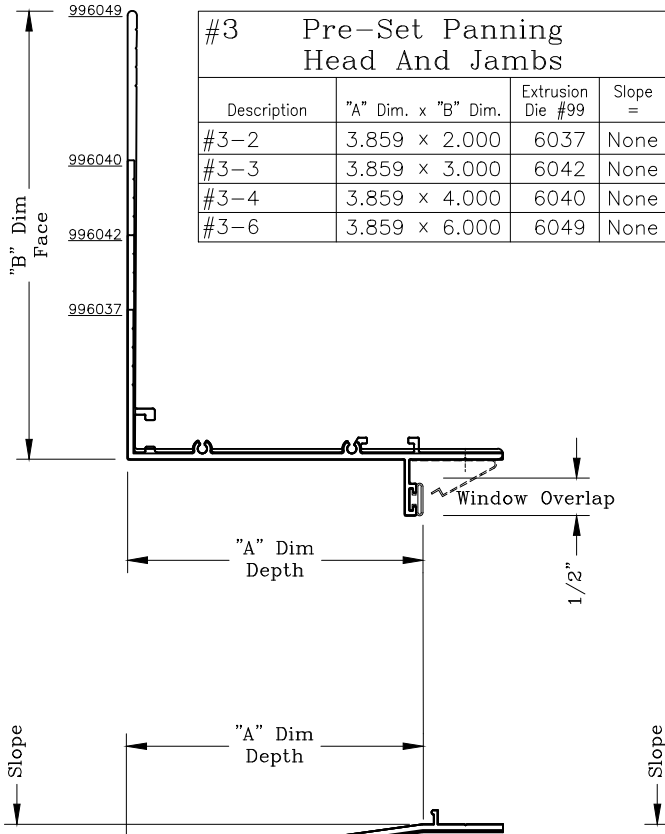


Series: Accessories Manufacturing Code: PPN01

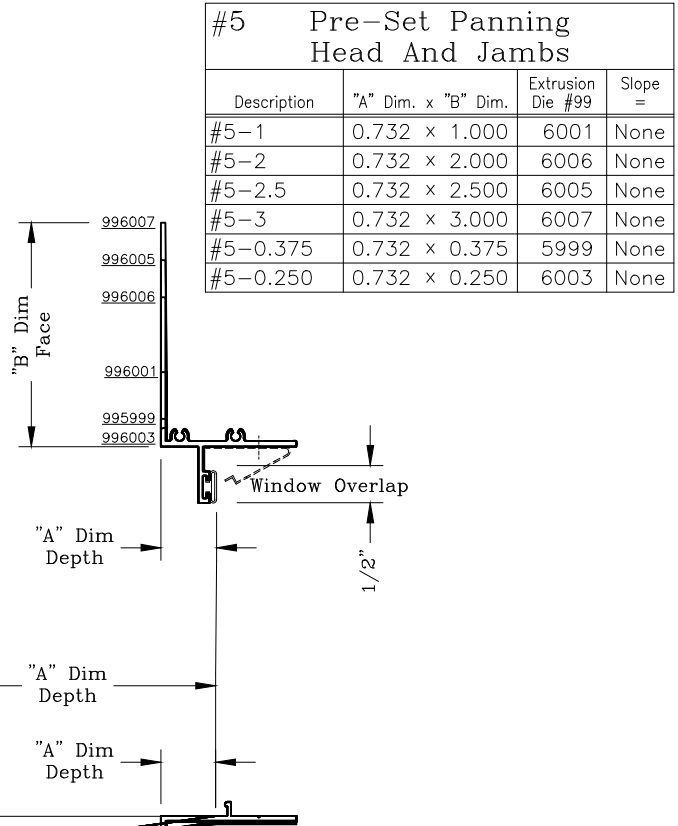
Drawing 1/2 Scale – For Custom Size Drawing Contact Graham

Note: Sealant Not Shown On Details. Refer To General Installation Instructions.

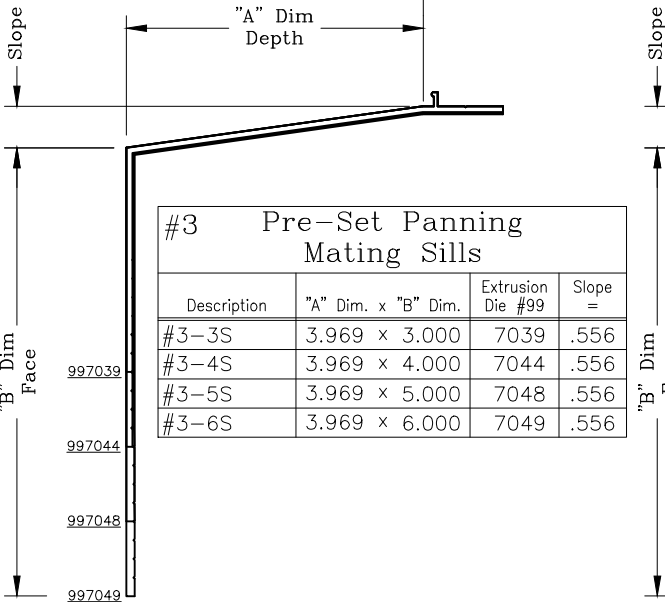
Note: Pre-Set Panning Requires The Use Of Equal Leg Sill On Window
Some Pre-Set Panning Require The Use Of Mechanical Corner Keys For
Mitered Assembly. Reference Sheet PPN.CK For Representative Corner Detail.



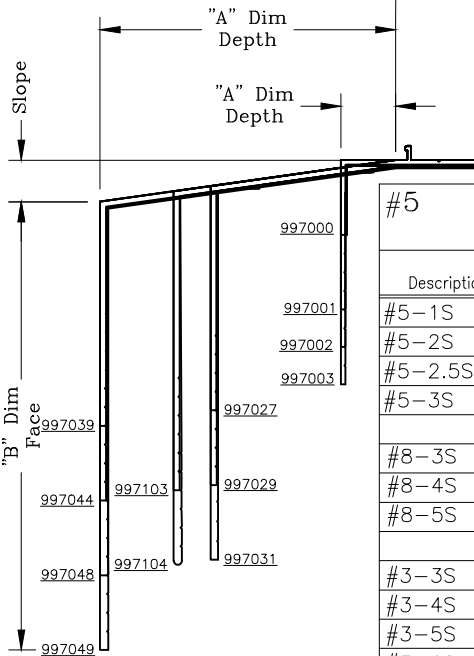
#3 Pre-Set Panning Head And Jambs			
Description	"A" Dim. x "B" Dim.	Extrusion Die #99	Slope =
#3-2	3.859 x 2.000	6037	None
#3-3	3.859 x 3.000	6042	None
#3-4	3.859 x 4.000	6040	None
#3-6	3.859 x 6.000	6049	None



#5 Pre-Set Panning Head And Jambs			
Description	"A" Dim. x "B" Dim.	Extrusion Die #99	Slope =
#5-1	0.732 x 1.000	6001	None
#5-2	0.732 x 2.000	6006	None
#5-2.5	0.732 x 2.500	6005	None
#5-3	0.732 x 3.000	6007	None
#5-0.375	0.732 x 0.375	5999	None
#5-0.250	0.732 x 0.250	6003	None



#3 Pre-Set Panning Mating Sills			
Description	"A" Dim. x "B" Dim.	Extrusion Die #99	Slope =
#3-3S	3.969 x 3.000	7039	.556
#3-4S	3.969 x 4.000	7044	.556
#3-5S	3.969 x 5.000	7048	.556
#3-6S	3.969 x 6.000	7049	.556



#5 Pre-Set Panning Mating Sills			
Description	"A" Dim. x "B" Dim.	Extrusion Die #99	Slope =
#5-1S	0.750 x 1.000	7000	NONE
#5-2S	0.750 x 2.000	7001	NONE
#5-2.5S	0.750 x 2.500	7002	NONE
#5-3S	0.750 x 3.000	7003	NONE
#8-3S	2.488 x 3.000	7027	.348
#8-4S	2.488 x 4.000	7029	.348
#8-5S	2.488 x 5.000	7031	.348
#3-3S	3.969 x 3.000	7039	.556
#3-4S	3.969 x 4.000	7044	.556
#3-5S	3.969 x 5.000	7048	.556
#3-6S	3.969 x 6.000	7049	.556
DEL-4S	2.983 x 4.000	7103	.417
DEL-5S	2.983 x 5.000	7104	.417

Graham Architectural Products reserves the right to change, add, cancel, remove or otherwise modify the details illustrated without prior notice.

1551 Mt. Rose Avenue, York, Pennsylvania 17403-2909 717.849.8100 Toll Free: 800/755-6274

0624 - PPN.01

Web Site: www.grahamwindows.com