

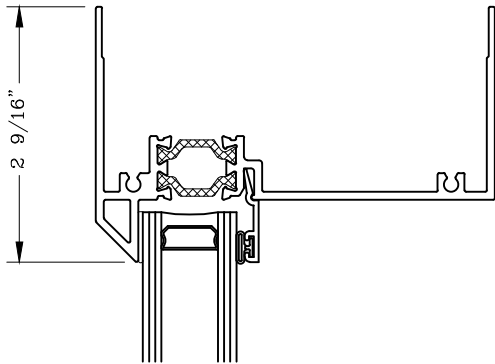
Fixed Historic – 4” Frame Options



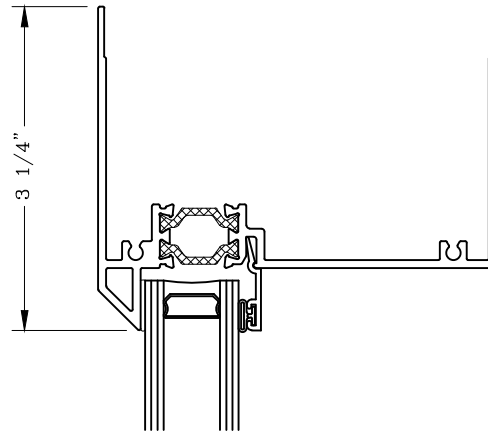
Series: GT1400H Manufacturing Code: GT1404

Drawing 1/2 Scale – For Custom Size Drawing Contact Graham

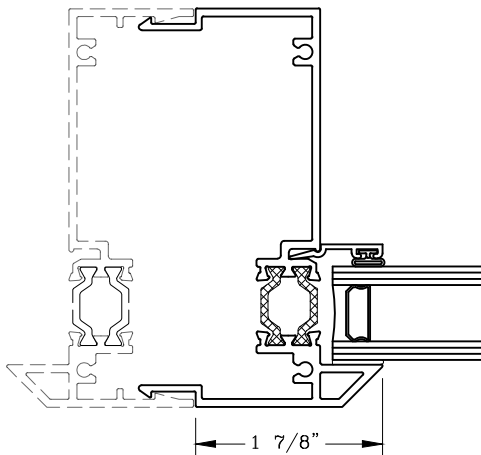
Note: Sealant Not Shown On Details. Refer To General Installation Instructions.



2 $\frac{9}{16}$ " Fixed Frame Historic #220311



3 $\frac{1}{4}$ " Fixed Frame Historic #220312



Male Fixed Frame Historic #140435

Graham Architectural Products reserves the right to change, add, cancel, remove or otherwise modify the details illustrated without prior notice.

1551 Mt. Rose Avenue, York, Pennsylvania 17403-2909 717.849.8100 Toll Free: 800/755-6274

0724 – GT14.04

Web Site: www.grahamwindows.com