

# Muntin Grids – Standard

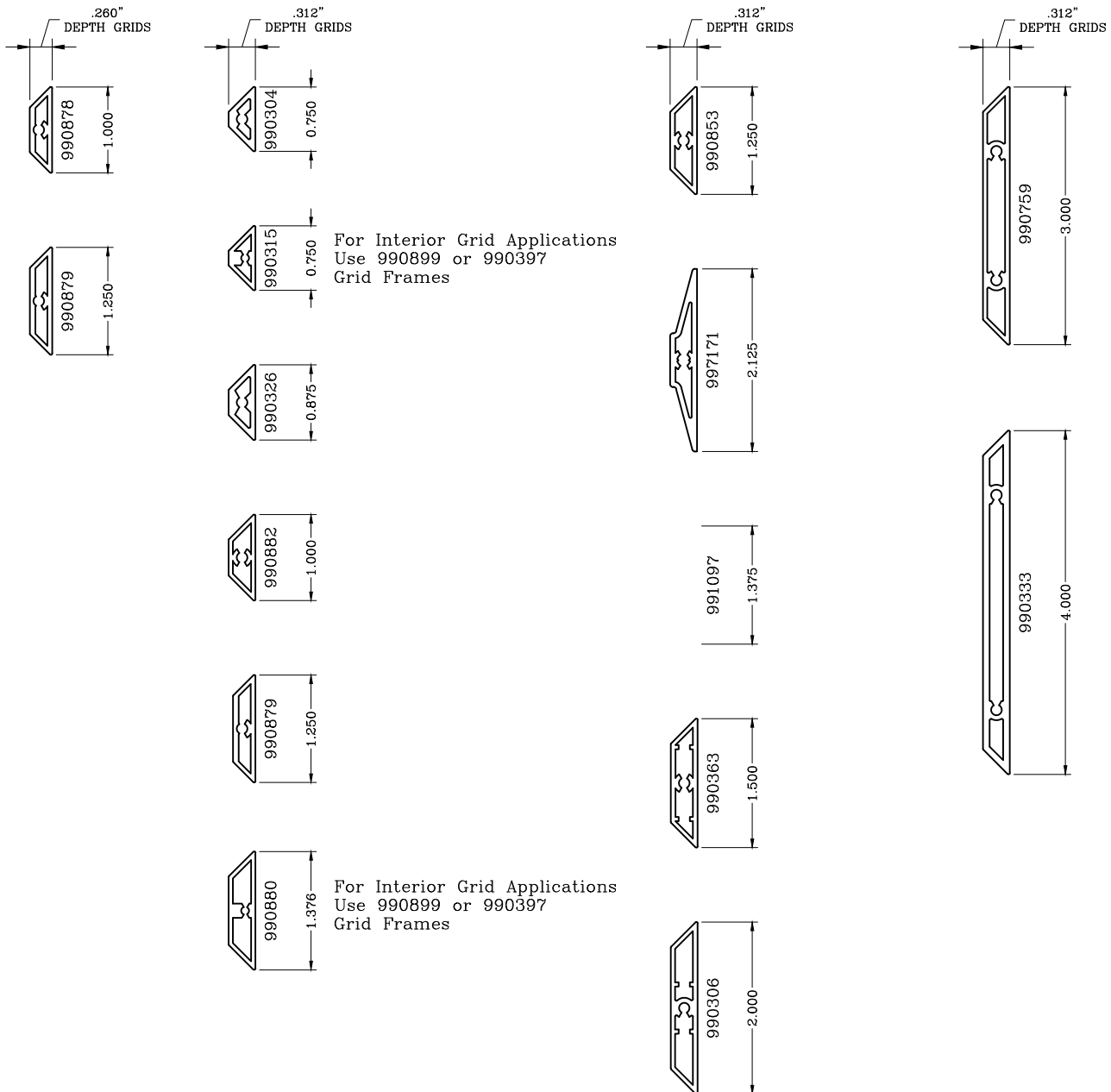


Series: Accessories Manufacturing Code: GR01

Drawing 1/2 Scale – For Custom Size Drawing Contact Graham

Note: Sealant Not Shown On Details. Refer To General Installation Instructions.

## Standard Grids



Graham Architectural Products reserves the right to change, add, cancel, remove or otherwise modify the details illustrated without prior notice.

1551 Mt. Rose Avenue, York, Pennsylvania 17403-2909 717.849.8100 Toll Free: 800/755-6274

0824 – GR.01

Web Site: [www.grahamwindows.com](http://www.grahamwindows.com)

# Muntin Grids – Standard Tubular and Profiled

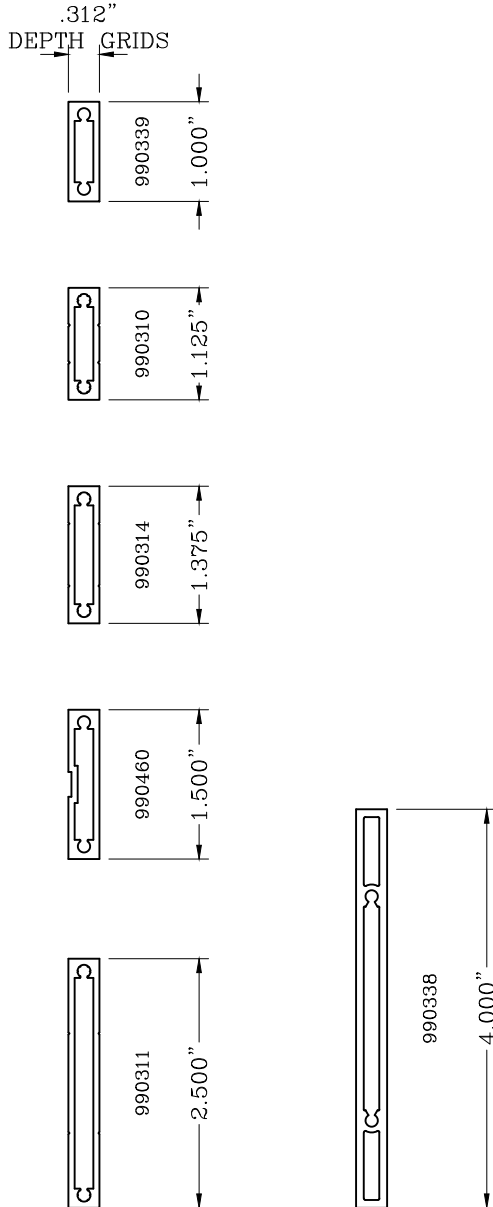


Series: Accessories Manufacturing Code: GR02

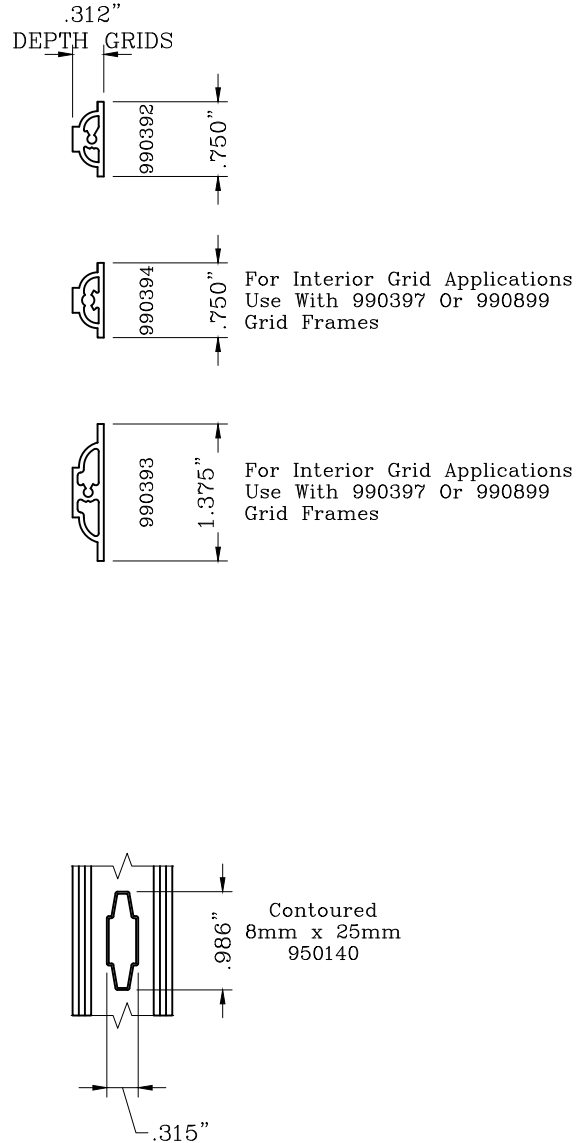
Drawing 1/2 Scale – For Custom Size Drawing Contact Graham

Note: Sealant Not Shown On Details. Refer To General Installation Instructions.

## Tubular Grids



## Profile Grids



# Muntin Grids – Standard Beveled and Concave



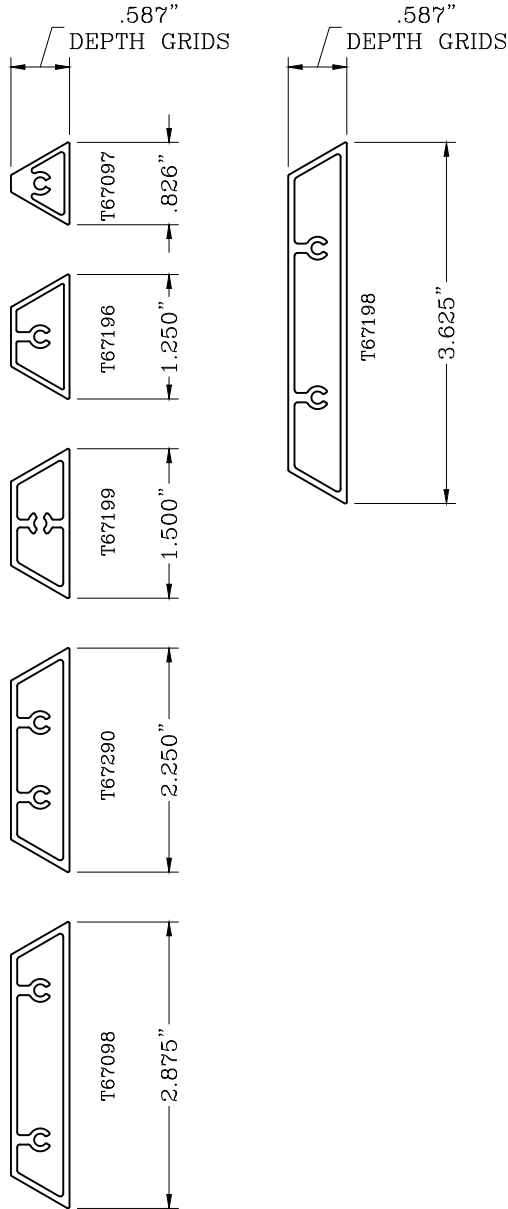
Series: Accessories Manufacturing Code: GR03

Drawing 1/2 Scale – For Custom Size Drawing Contact Graham

Note: Sealant Not Shown On Details. Refer To General Installation Instructions.

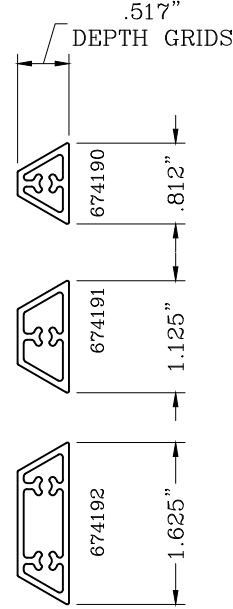
## Standard Beveled Grids

GT6... Series With  
Bevel Glazing Leg



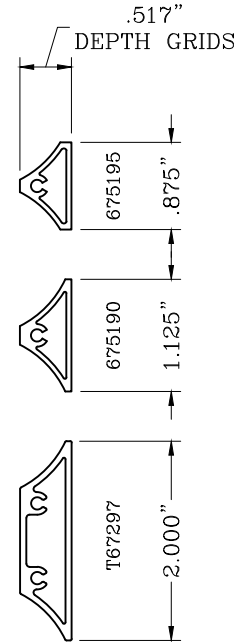
## Standard Beveled Grids

SR67... Series With  
Bevel Glazing Leg



## Standard Concave Grids

SR 6700 & GT6... Series  
With Concave Glazing Leg



# Muntin Grids – Historic Applications

## Triple Grid



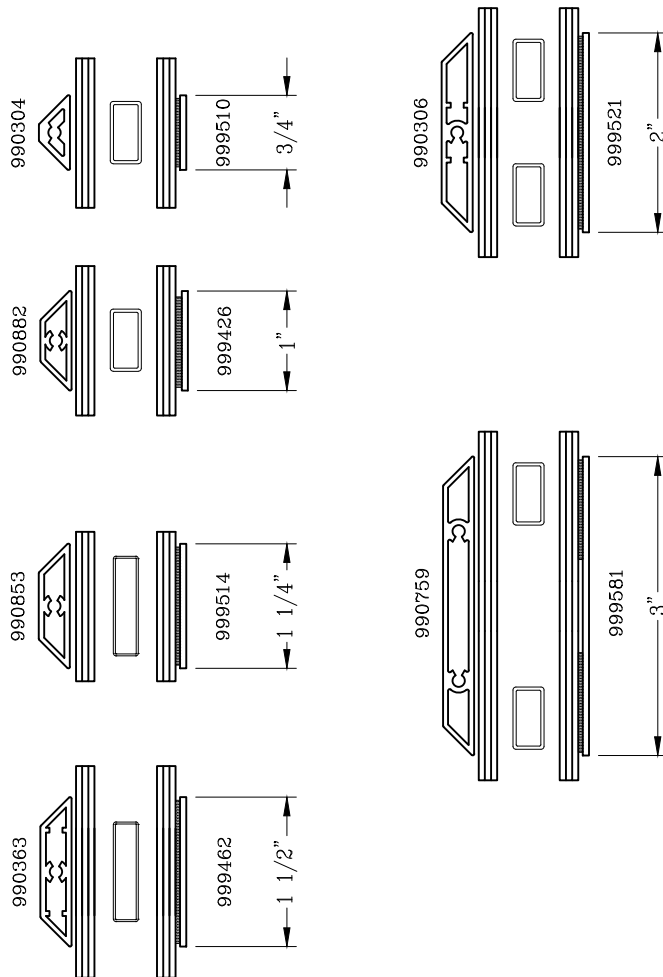
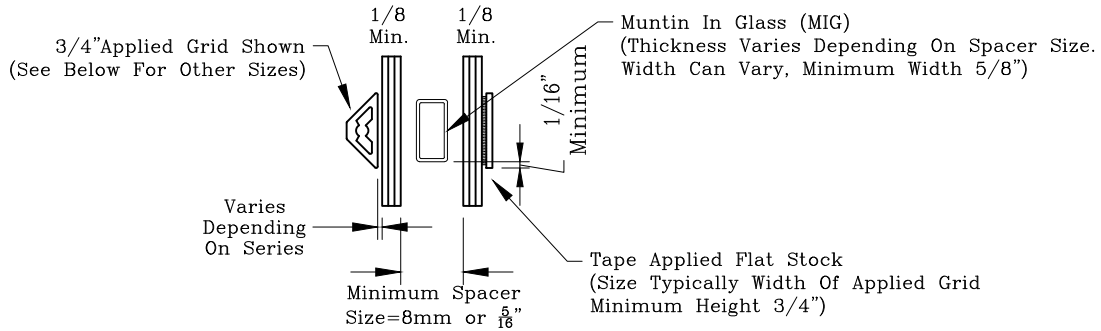
### Series: Accessories Manufacturing Code: GR04

Drawing 1/2 Scale – For Custom Size Drawing Contact Graham

Note: Sealant Not Shown On Details. Refer To General Installation Instructions.

NOTE:

Internal MIG depth may vary and will typically be sized under the external grid and interior flat stock.



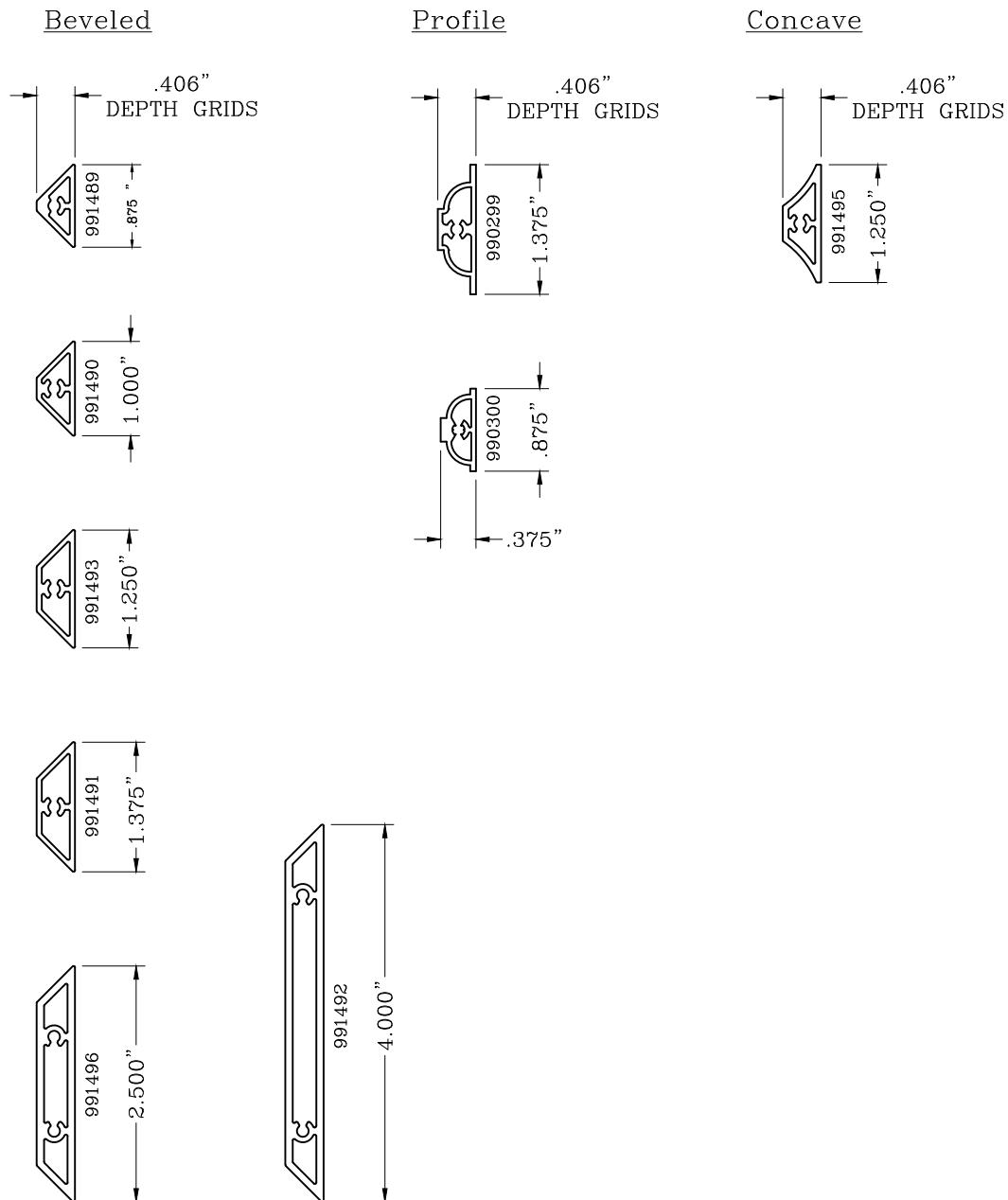
# Muntin Grids – Standard Beveled, Concave and Profile



Series: Accessories Manufacturing Code: GR05

Note: Sealant Not Shown On Details. Refer To General Installation Instructions.

## Standard Grids GT2200 Single Hung & 1400 Fixed Offset



# Muntin Grids – Historic Applications

## Triple Grid



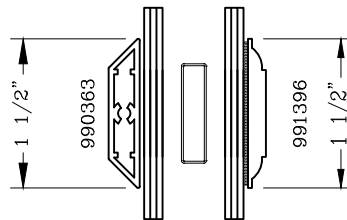
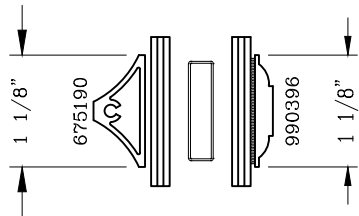
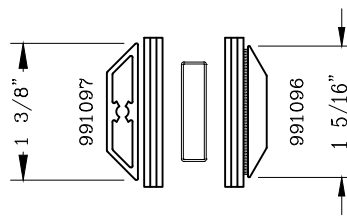
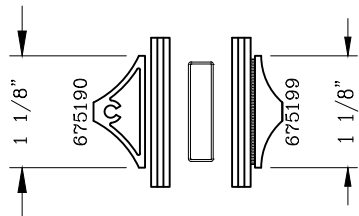
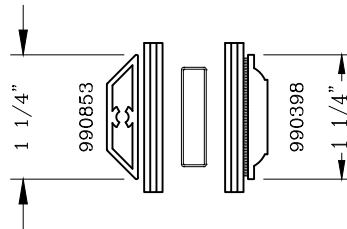
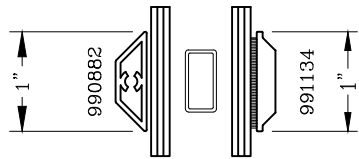
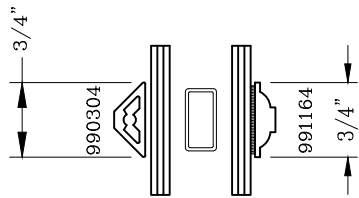
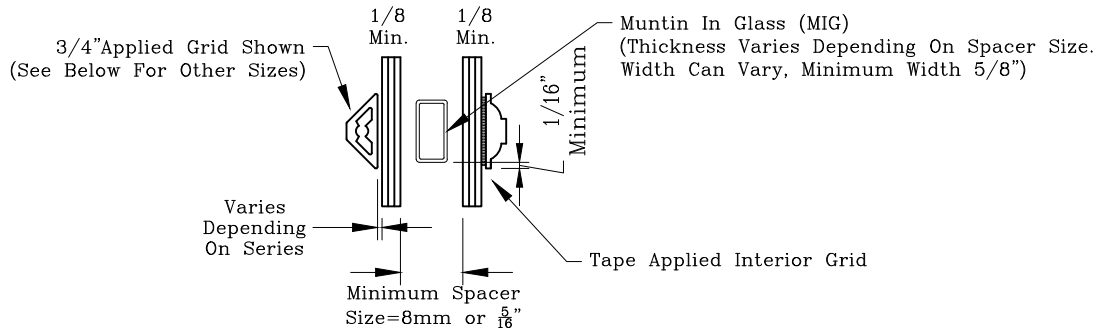
### Series: Accessories Manufacturing Code: GR06

Drawing 1/2 Scale – For Custom Size Drawing Contact Graham

Note: Sealant Not Shown On Details. Refer To General Installation Instructions.

NOTE:

Internal MIG depth may vary and will typically be sized under the external and interior grids.



# Muntin Grids – Historic Applications

## Triple Grid



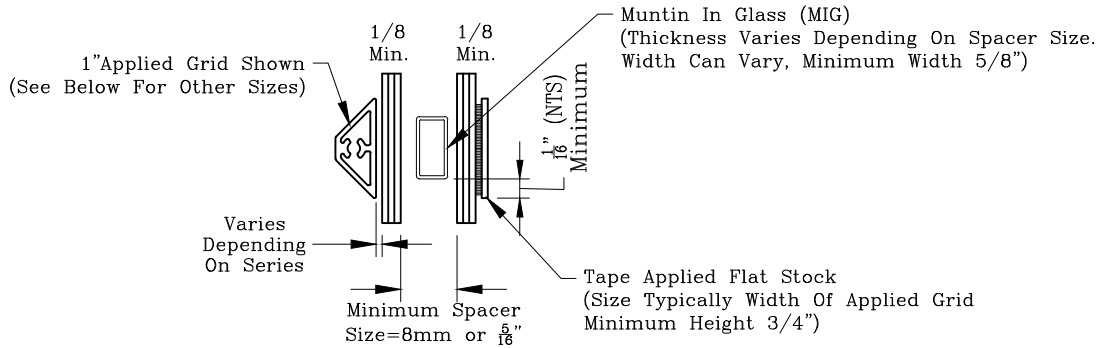
Series: Accessories Manufacturing Code: GR07

Drawing 1/2 Scale – For Custom Size Drawing Contact Graham

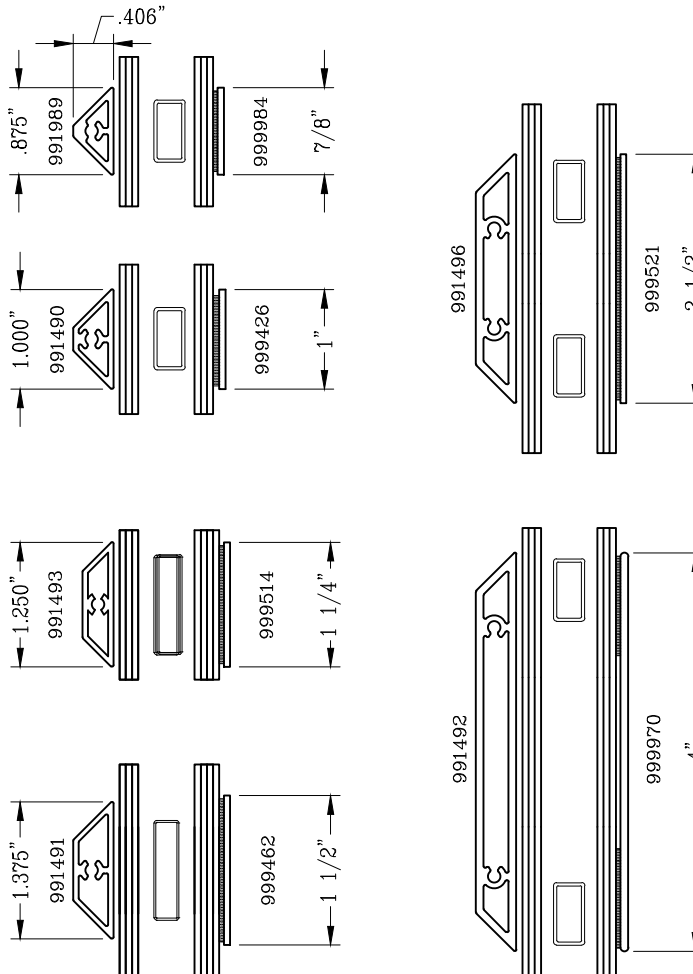
Note: Sealant Not Shown On Details. Refer To General Installation Instructions.

NOTE:

Internal MIG depth may vary and will typically be sized under the external grid and interior flat stock.



Grids shown For  
GT2200 Single Hung & 1400 Fixed Offset



# Muntin Grids – Historic Applications

## Triple Grid



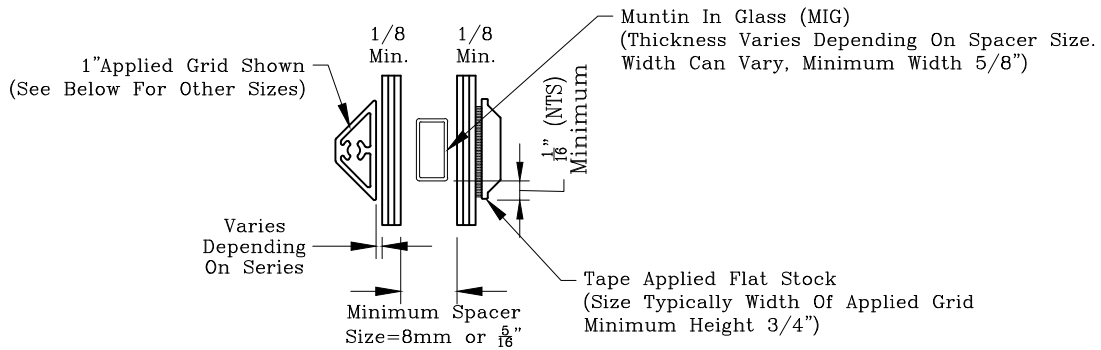
Series: Accessories Manufacturing Code: GR08

Drawing 1/2 Scale – For Custom Size Drawing Contact Graham

Note: Sealant Not Shown On Details. Refer To General Installation Instructions.

NOTE:

Internal MIG depth may vary and will typically be sized under the external grid and interior flat stock.



Grids shown For  
GT2200 Single Hung & 1400 Fixed Offset

