

Muntin Grids – Historic Applications

Triple Grid



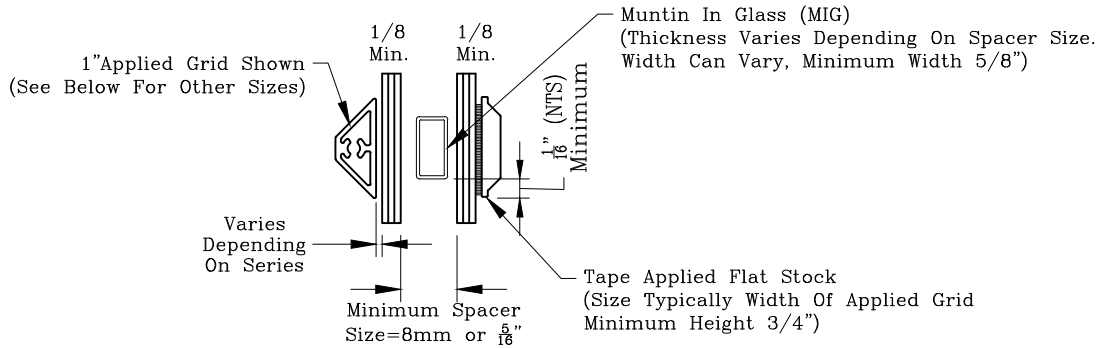
Series: Accessories Manufacturing Code: GR08

Drawing 1/2 Scale – For Custom Size Drawing Contact Graham

Note: Sealant Not Shown On Details. Refer To General Installation Instructions.

NOTE:

Internal MIG depth may vary and will typically be sized under the external grid and interior flat stock.



Grids shown For
GT2200 Single Hung & 1400 Fixed Offset

