

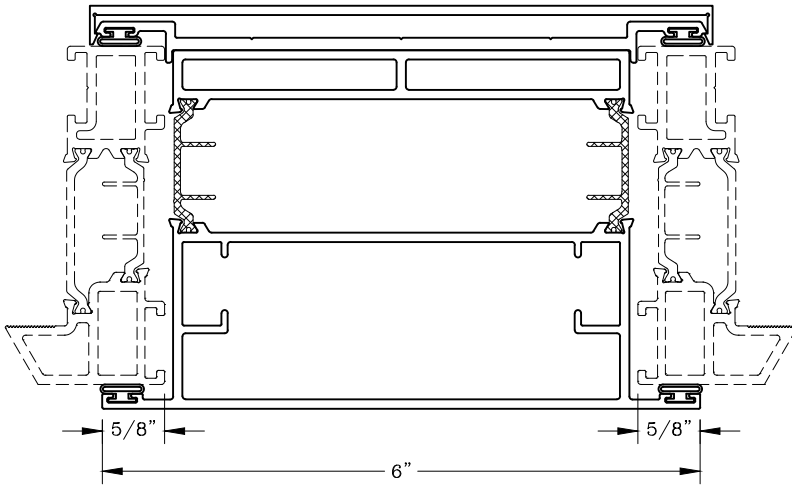
# Accessories – GT Products 3 3/8 Mullions



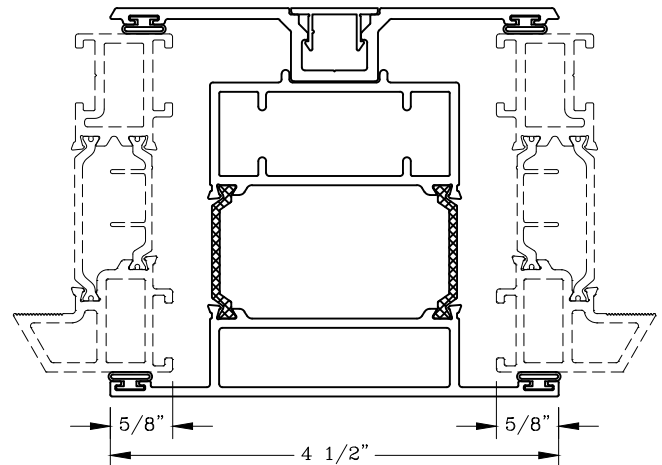
Series: Accessories Manufacturing Code: GT04E

Drawing 1/2 Scale – For Custom Size Drawing Contact Graham

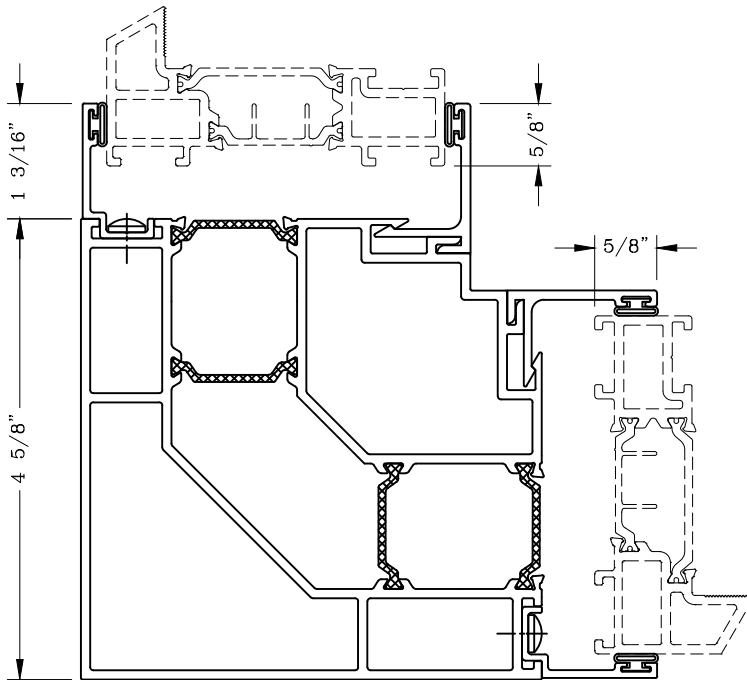
Note: Sealant Not Shown On Details. Refer To General Installation Instructions.



850163 3pc Mullion  
850164 Pressure Plate  
850165 Cover



850153 3pc Mull  
340154 Pressure Plate  
850348 Cover



850006 90 Degree Corner Mull  
340545 Interior Clip  
850005 Exterior Clip

Graham Architectural Products reserves the right to change, add, cancel, remove or otherwise modify the details illustrated without prior notice.

1551 Mt. Rose Avenue, York, Pennsylvania 17403-2909 717.849.8100 Toll Free: 800/755-6274

Web Site: [www.grahamwindows.com](http://www.grahamwindows.com)

0724 – AC.GT04E