

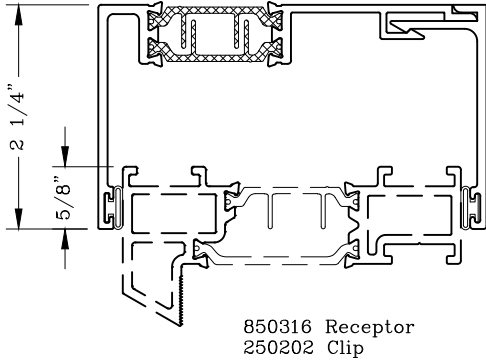
# Accessories – GT Products 3 3/8” Receptor and Sill Starters



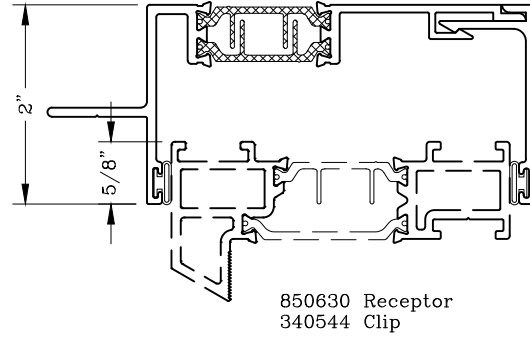
Series: Accessories Manufacturing Code: GT04C

Drawing 1/2 Scale – For Custom Size Drawing Contact Graham

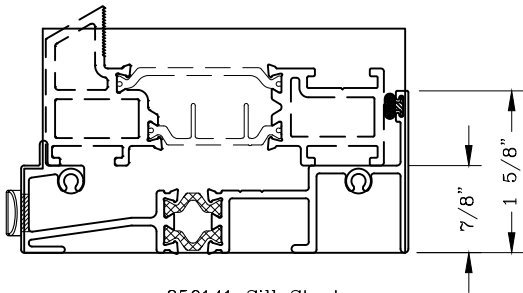
Note: Sealant Not Shown On Details. Refer To General Installation Instructions.



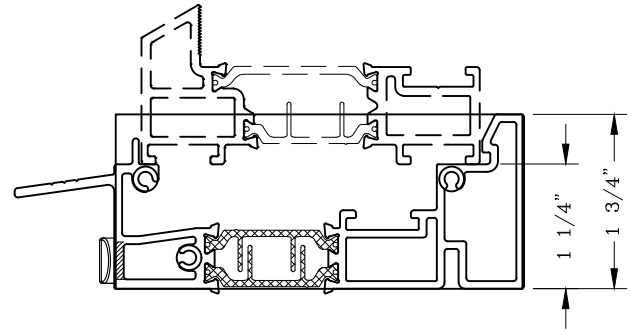
850316 Receptor  
250202 Clip



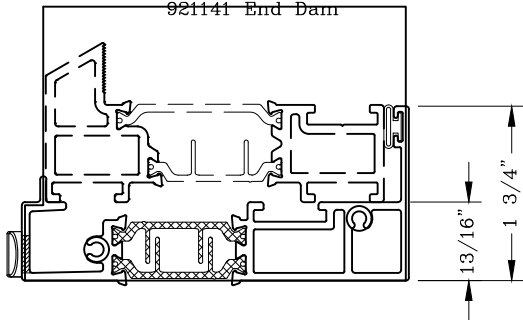
850630 Receptor  
340544 Clip



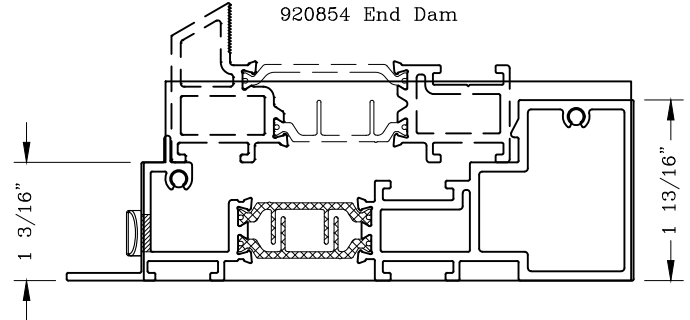
850141 Sill Starter  
921141 End Dam



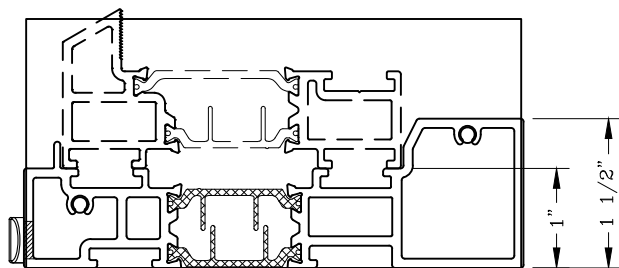
850854 Sill Starter  
920854 End Dam



850246 Sill Starter  
920248 End Dam



850804 Sill Starter  
920807 End Dam



850850 Sill Starter  
920850 End Dam

Graham Architectural Products reserves the right to change, add, cancel, remove or otherwise modify the details illustrated without prior notice.

1551 Mt. Rose Avenue, York, Pennsylvania 17403-2909 717.849.8100 Toll Free: 800/755-6274

0724 – AC.GT04C

Web Site: [www.grahamwindows.com](http://www.grahamwindows.com)