

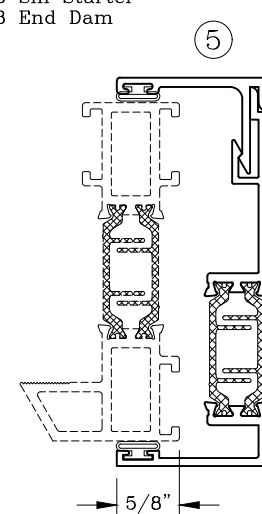
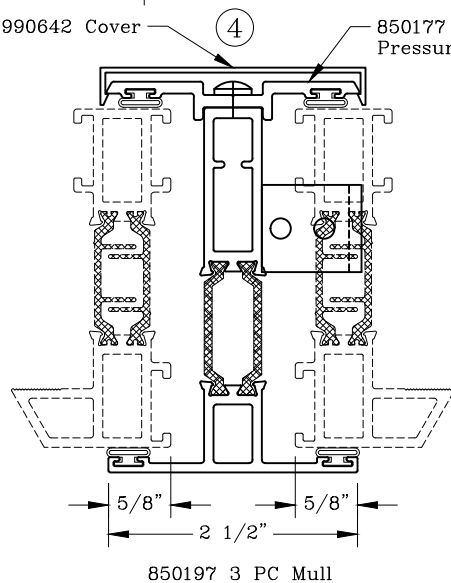
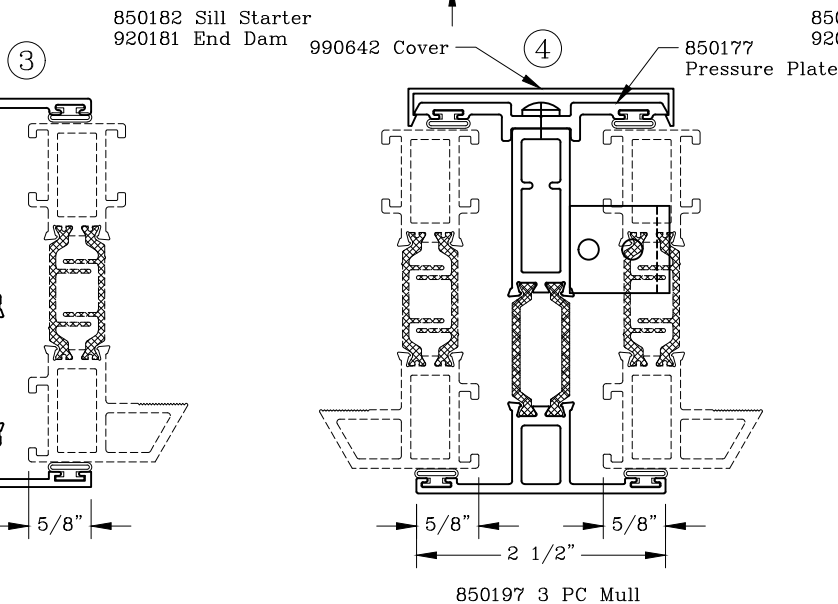
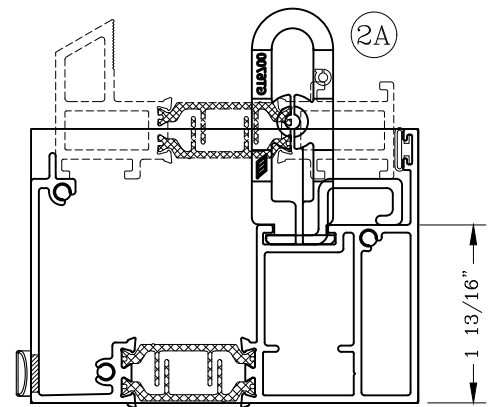
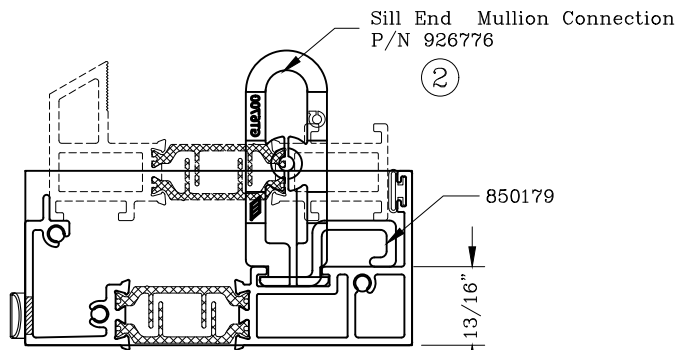
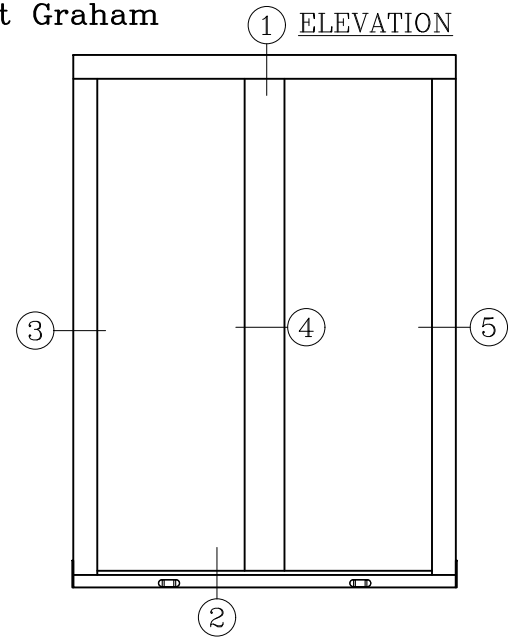
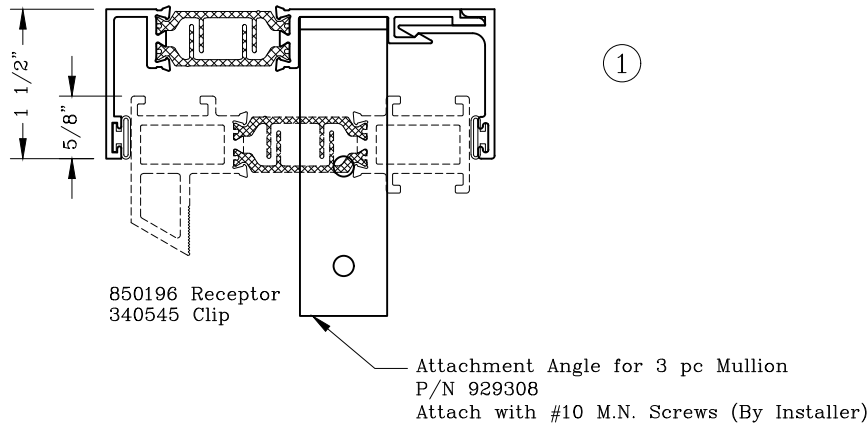
Accessories – GT Products 3 3/8” Receptor and Sill Starters



Series: Accessories Manufacturing Code: GT04A

Drawing 1/2 Scale – For Custom Size Drawing Contact Graham

Note: Sealant Not Shown On Details. Refer To General Installation Instructions.



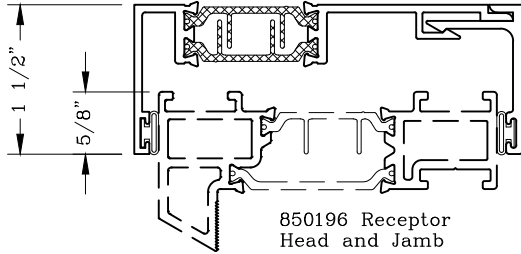
Accessories – GT Products 3 3/8” Receptors and Sill Starters



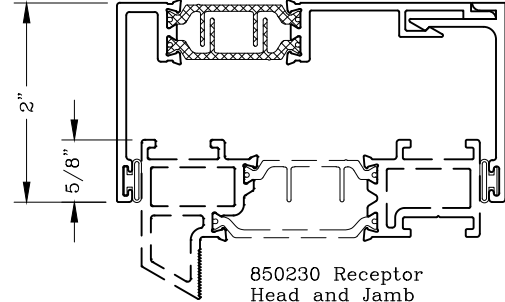
Series: Accessories Manufacturing Code: GT04B

Drawing 1/2 Scale – For Custom Size Drawing Contact Graham

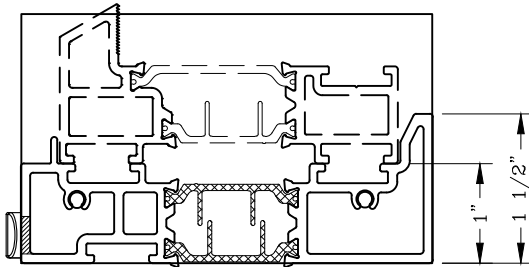
Note: Sealant Not Shown On Details. Refer To General Installation Instructions.



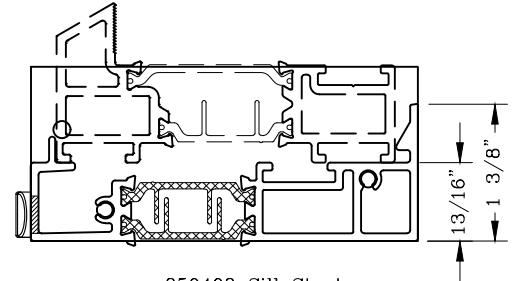
850196 Receptor
Head and Jamb



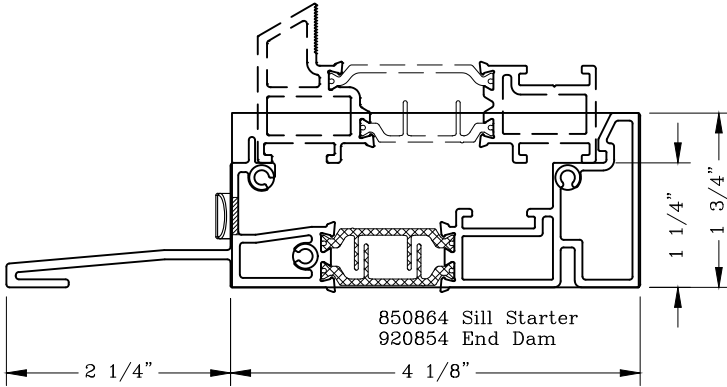
850230 Receptor
Head and Jamb



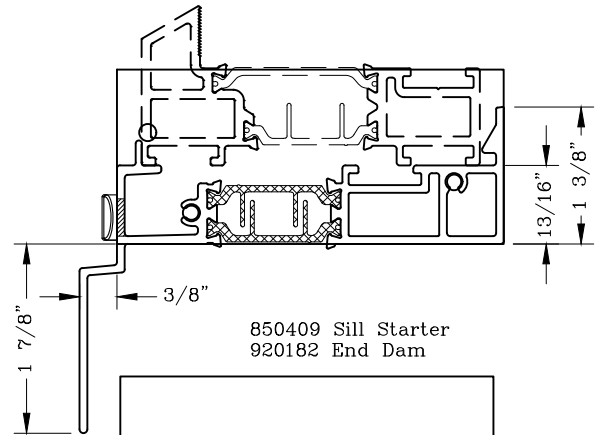
850853 Sill Starter
920853 End Dam



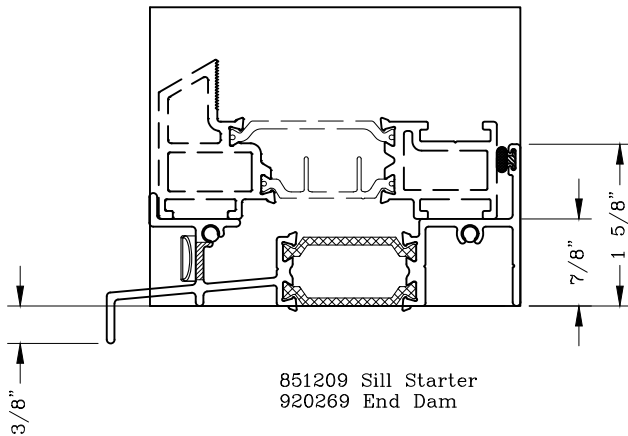
850408 Sill Starter
920182 End Dam



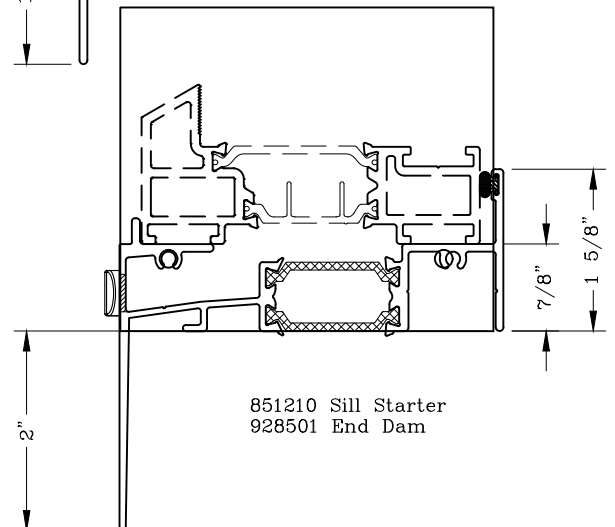
850864 Sill Starter
920854 End Dam



850409 Sill Starter
920182 End Dam



851209 Sill Starter
920269 End Dam



851210 Sill Starter
928501 End Dam

Graham Architectural Products reserves the right to change, add, cancel, remove or otherwise modify the details illustrated without prior notice.

1551 Mt. Rose Avenue, York, Pennsylvania 17403-2909 717.849.8100 Toll Free: 800/755-6274

0724 – AC.GT04B

Web Site: www.grahamwindows.com

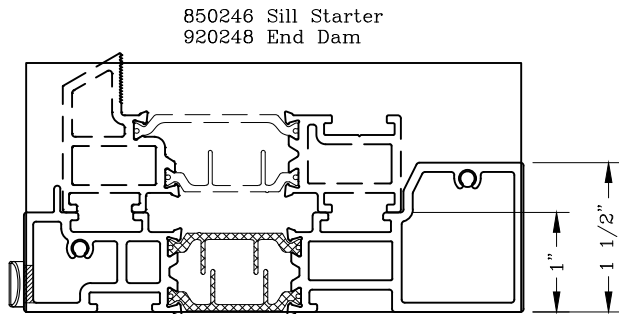
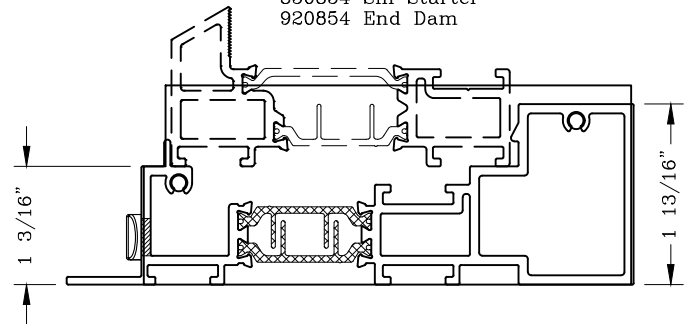
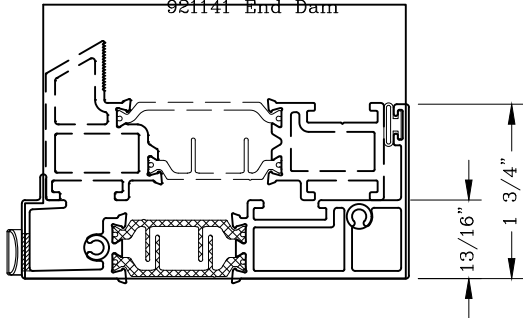
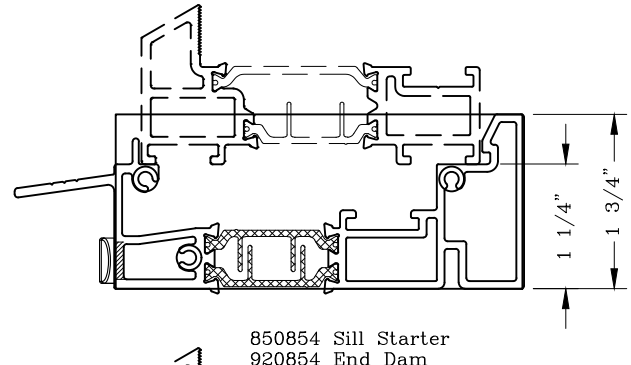
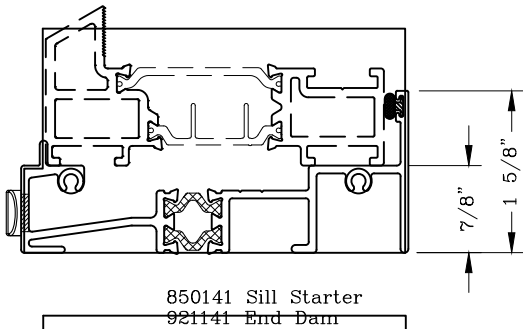
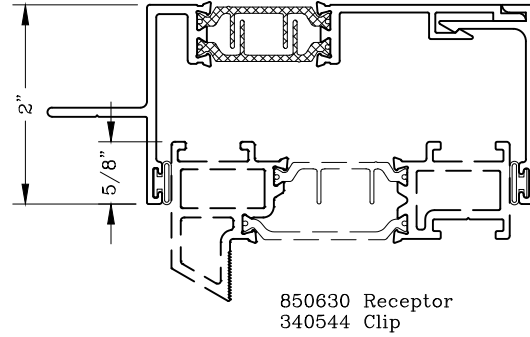
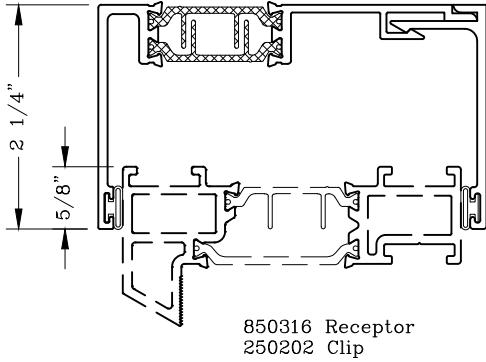
Accessories – GT Products 3 3/8” Receptor and Sill Starters



Series: Accessories Manufacturing Code: GT04C

Drawing 1/2 Scale – For Custom Size Drawing Contact Graham

Note: Sealant Not Shown On Details. Refer To General Installation Instructions.



Graham Architectural Products reserves the right to change, add, cancel, remove or otherwise modify the details illustrated without prior notice.

1551 Mt. Rose Avenue, York, Pennsylvania 17403-2909 717.849.8100 Toll Free: 800/755-6274

0724 – AC.GT04C

Web Site: www.grahamwindows.com

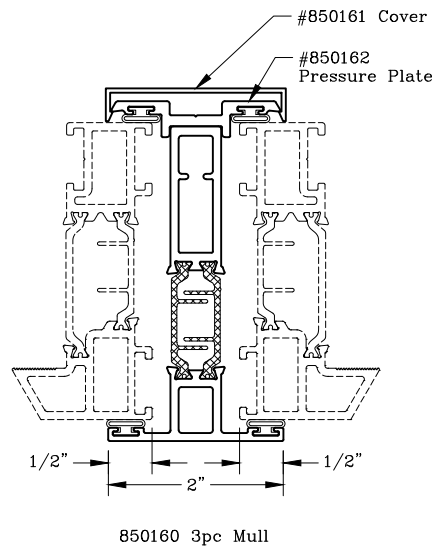
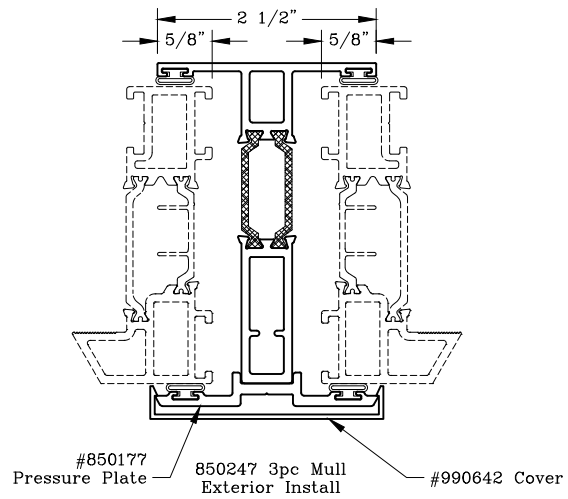
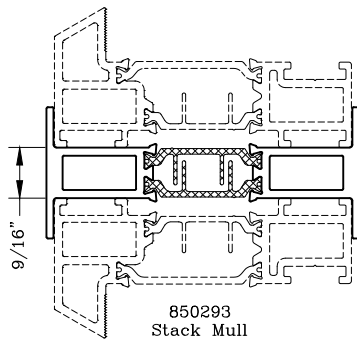
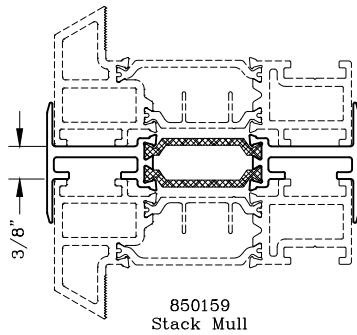
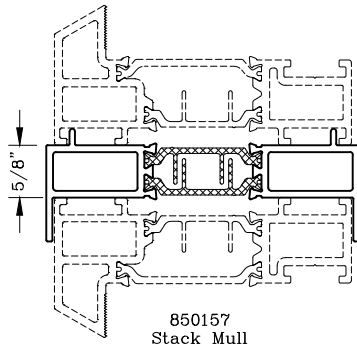
Accessories – GT Products 3 3/8” Mullions



Series: Accessories Manufacturing Code: GT04

Drawing 1/2 Scale – For Custom Size Drawing Contact Graham

Note: Sealant Not Shown On Details. Refer To General Installation Instructions.



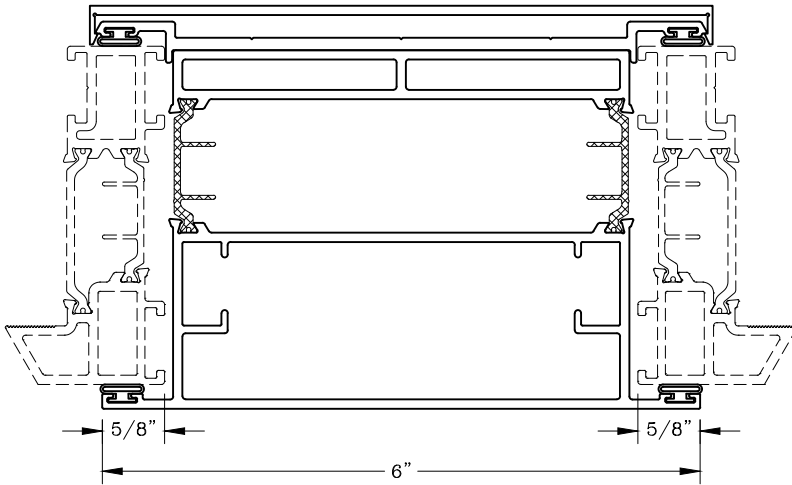
Accessories – GT Products 3 3/8 Mullions



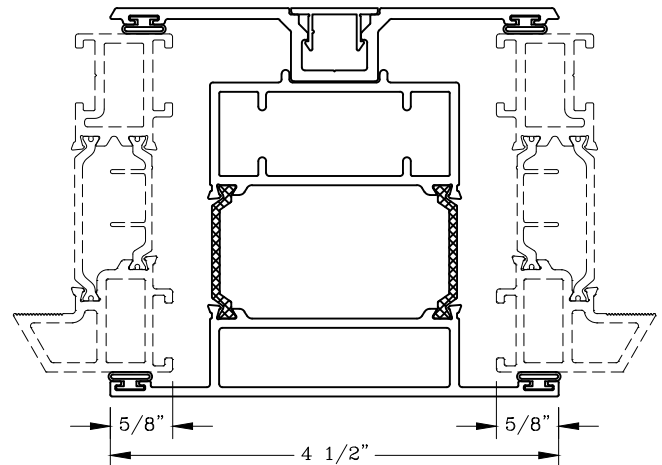
Series: Accessories Manufacturing Code: GT04E

Drawing 1/2 Scale – For Custom Size Drawing Contact Graham

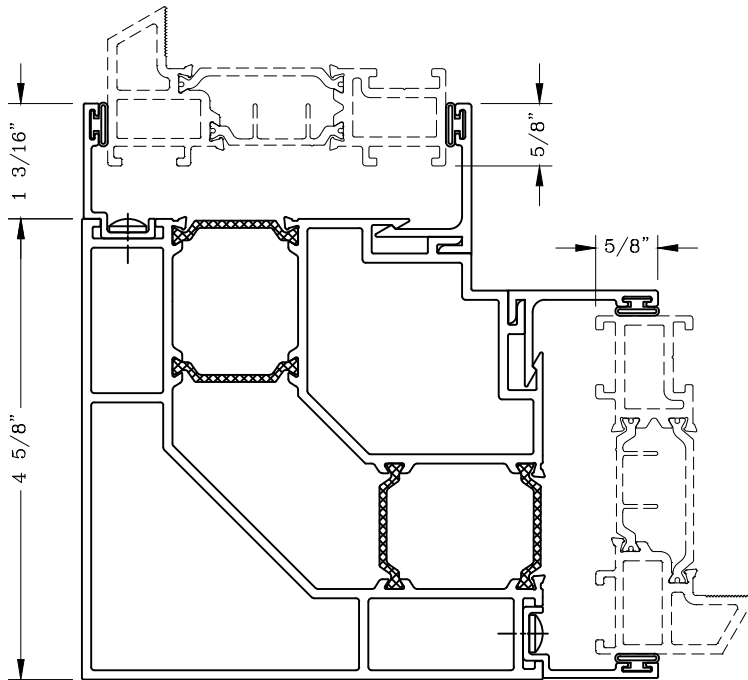
Note: Sealant Not Shown On Details. Refer To General Installation Instructions.



850163 3pc Mullion
850164 Pressure Plate
850165 Cover



850153 3pc Mull
340154 Pressure Plate
850348 Cover



850006 90 Degree Corner Mull
340545 Interior Clip
850005 Exterior Clip

Graham Architectural Products reserves the right to change, add, cancel, remove or otherwise modify the details illustrated without prior notice.

1551 Mt. Rose Avenue, York, Pennsylvania 17403-2909 717.849.8100 Toll Free: 800/755-6274

Web Site: www.grahamwindows.com

0724 – AC.GT04E