

Fixed - Historic Narrow - 3 1/4"

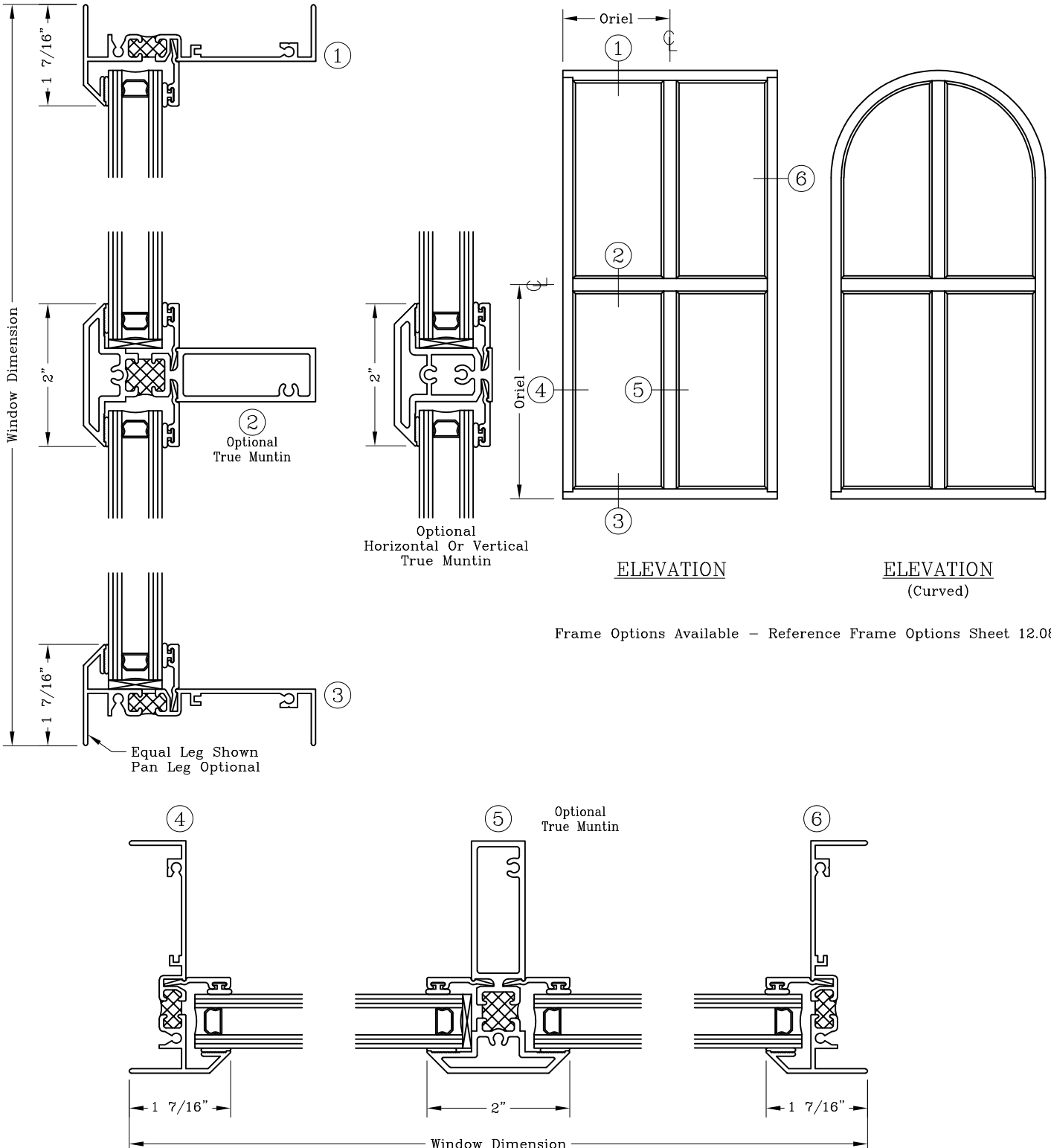


Series: 1200H

Manufacturing Code: 1201

Drawing 1/2 Scale - For Custom Size Drawing Contact Graham

Note: Sealant Not Shown On Details. Refer To General Installation Instructions.



Frame Options Available - Reference Frame Options Sheet 12.08.

Fixed - Historic Wide - 3 1/4"

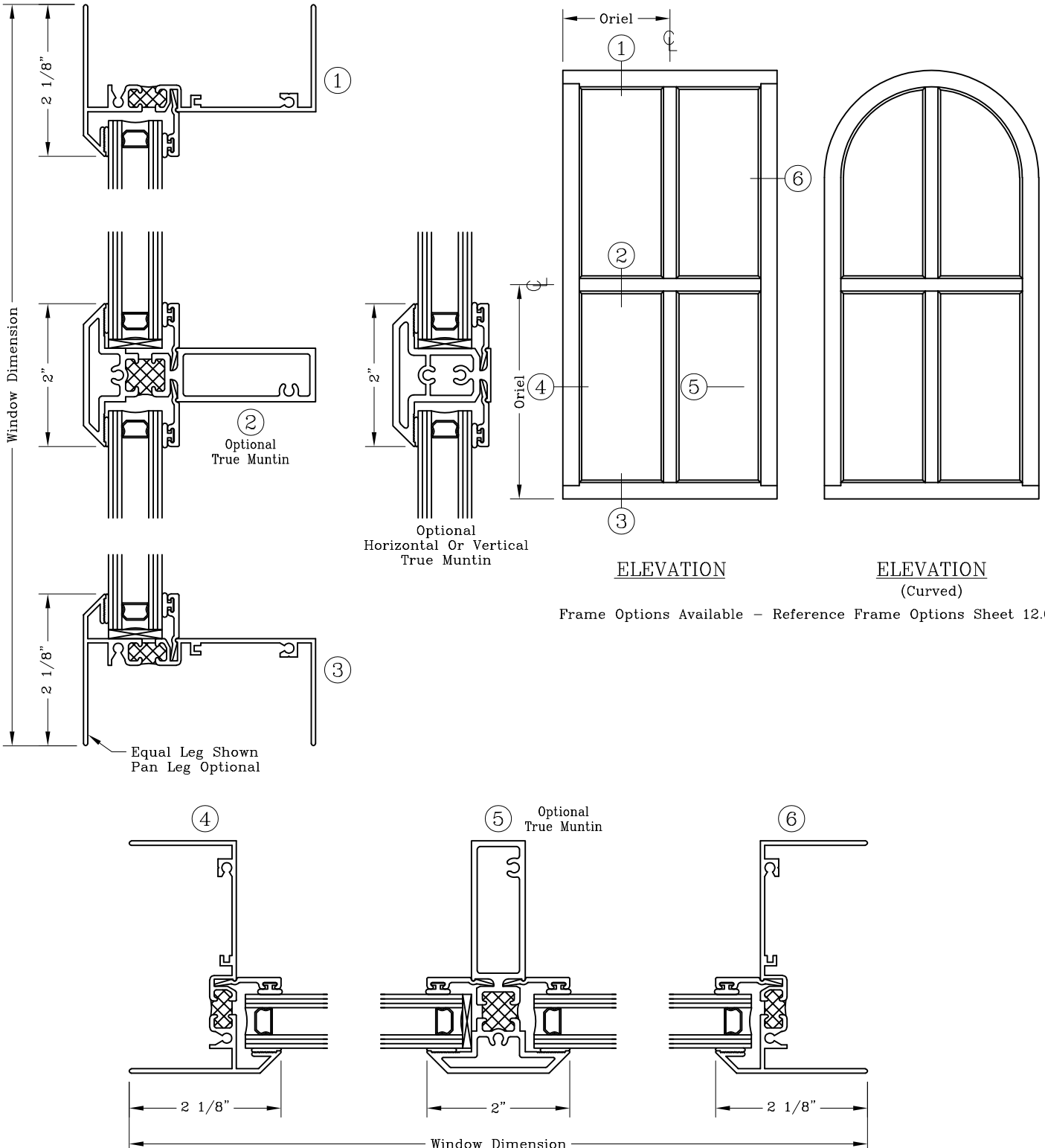


Series: 1200H

Manufacturing Code: 1202

Drawing 1/2 Scale - For Custom Size Drawing Contact Graham

Note: Sealant Not Shown On Details. Refer To General Installation Instructions.



Frame Options Available - Reference Frame Options Sheet 12.08

Graham Architectural Products reserves the right to change, add, cancel, remove or otherwise modify the details illustrated without prior notice.

1551 Mt. Rose Avenue, York, Pennsylvania 17403-2909 717.849.8100 Toll Free: 800/755-6274

0123 - 12.02

Web Site: www.grahamwindows.com

Fixed - Flat - 3 1/4"

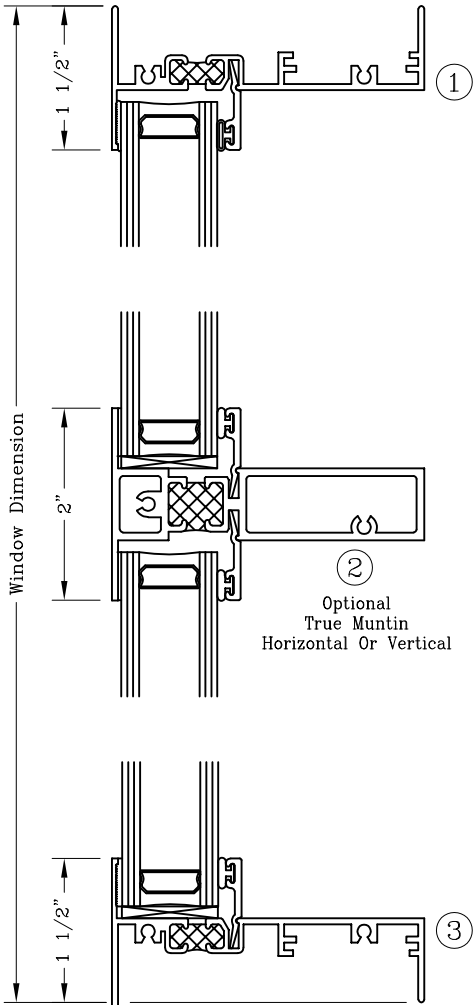


Series: 1200

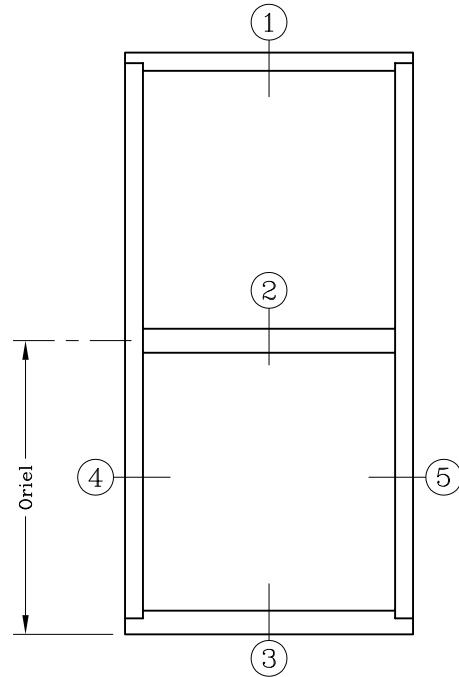
Manufacturing Code: 1203

Drawing 1/2 Scale - For Custom Size Drawing Contact Graham

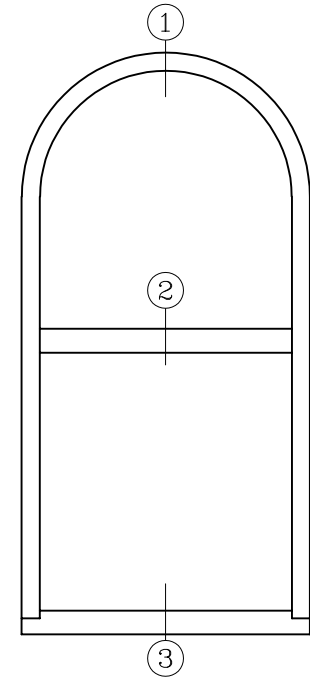
Note: Sealant Not Shown On Details. Refer To General Installation Instructions.



Pan Leg For Attached Panning Only
Equal Leg Used For All Other Applications

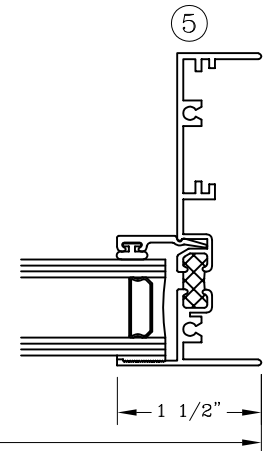
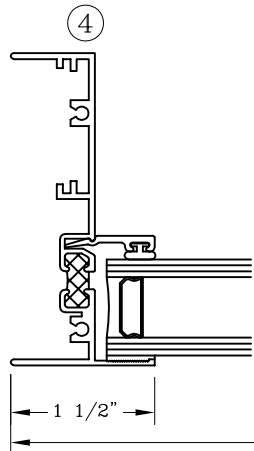


ELEVATION



ELEVATION
(Curved)

Frame Options Available - Reference Frame Options Sheet 12.09



Graham Architectural Products reserves the right to change, add, cancel, remove or otherwise modify the details illustrated without prior notice.

1551 Mt. Rose Avenue, York, Pennsylvania 17403-2909 717.849.8100 Toll Free: 800/755-6274

Web Site: www.grahamwindows.com

Fixed - Flat - 3 1/4" 1-1/8" Integral Nailing Flange

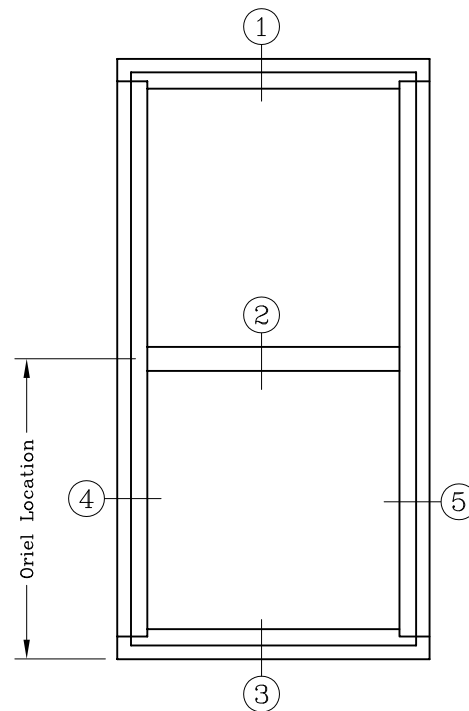
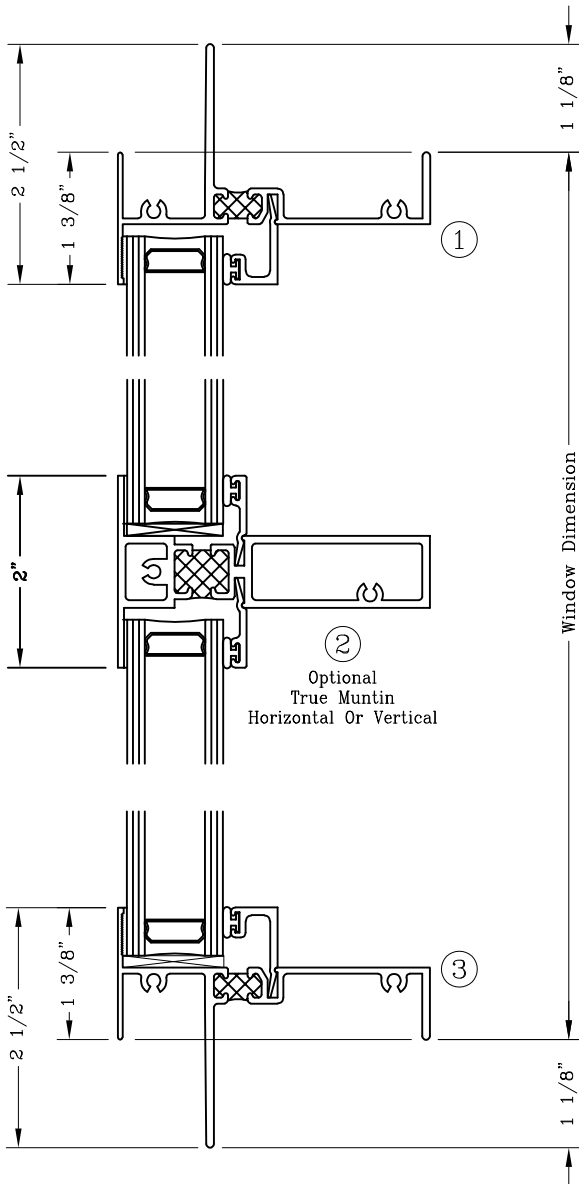


Series: 1200

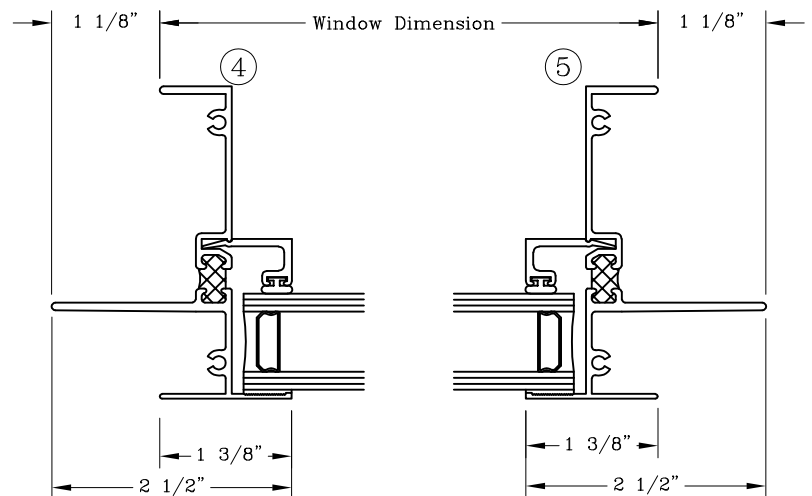
Manufacturing Code: 1204

Drawing 1/2 Scale - For Custom Size Drawing Contact Graham

Note: Sealant Not Shown On Details. Refer To General Installation Instructions.



ELEVATION



Graham Architectural Products reserves the right to change, add, cancel, remove or otherwise modify the details illustrated without prior notice.

1551 Mt. Rose Avenue, York, Pennsylvania 17403-2909 717.849.8100 Toll Free: 800/755-6274

0123 - 12.04

Web Site: www.grahamwindows.com

Fixed – Historic – 3 1/4” 1-1/2” Integral Nailing Flange

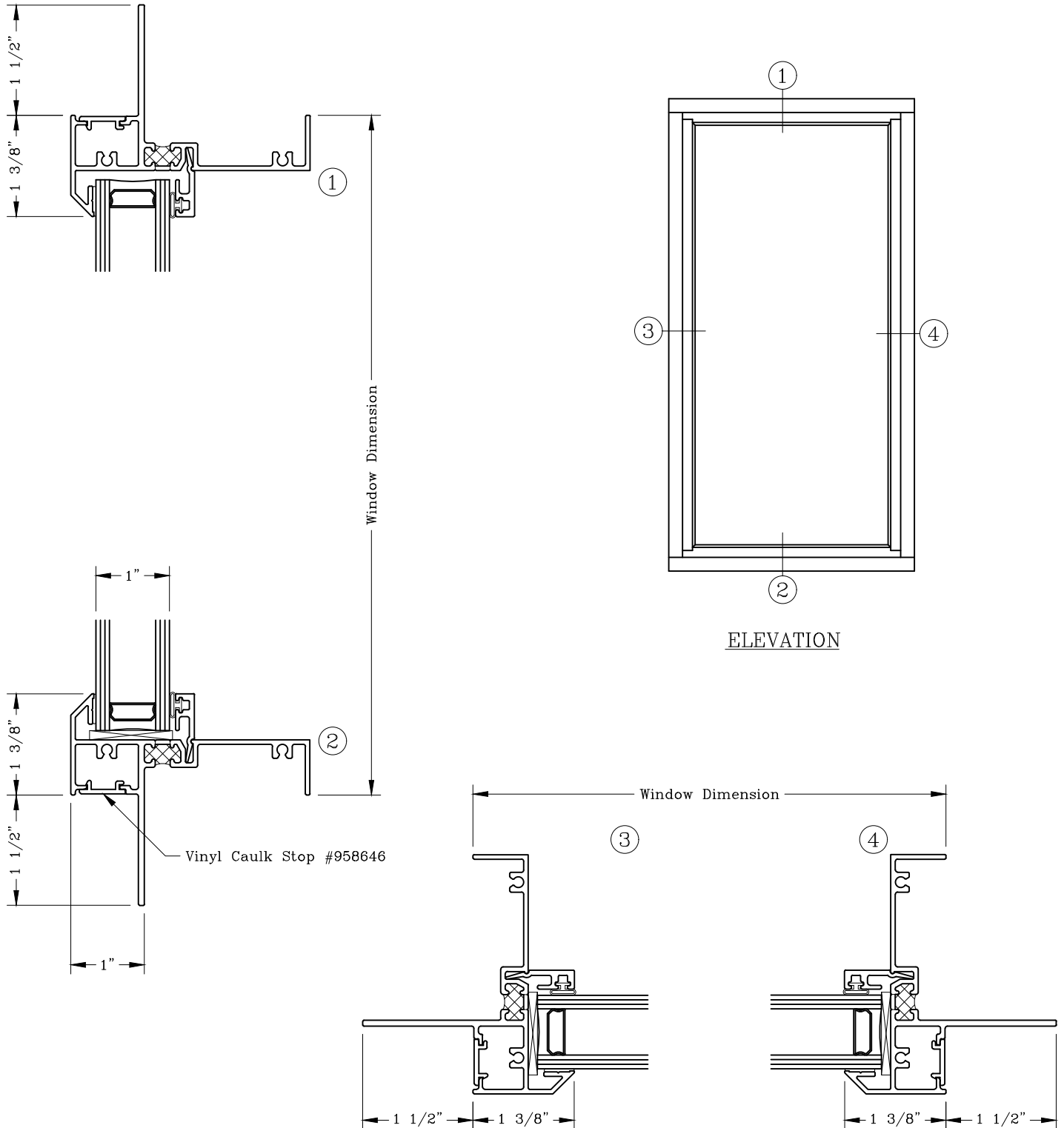


Series: 1200

Manufacturing Code: 1205

Drawing 1/2 Scale – For Custom Size Drawing Contact Graham

Note: Sealant Not Shown On Details. Refer To General Installation Instructions.



Graham Architectural Products reserves the right to change, add, cancel, remove or otherwise modify the details illustrated without prior notice.

1551 Mt. Rose Avenue, York, Pennsylvania 17403-2909 717.849.8100 Toll Free: 800/755-6274

0724 - 12.05

Web Site: www.grahamwindows.com

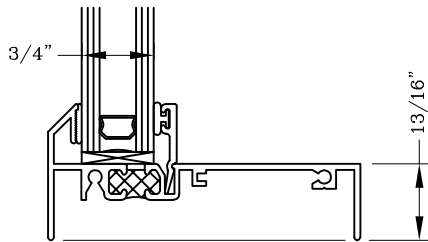
Frame Options – 3 1/4” Historic



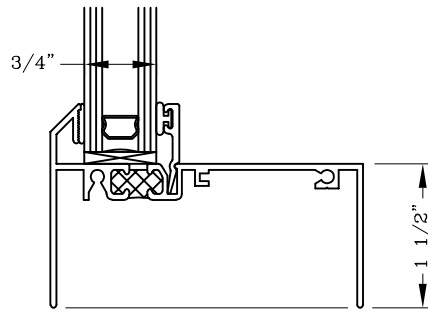
Series: 1200H Manufacturing Code: 1208

Drawing 1/2 Scale – For Custom Size Drawing Contact Graham

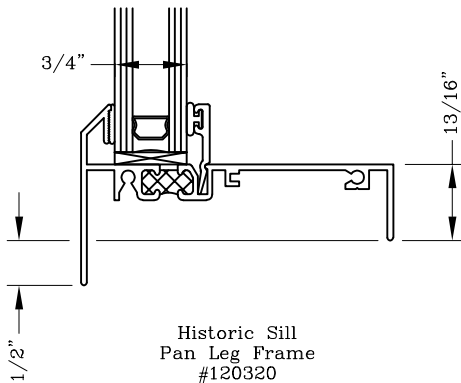
Note: Sealant Not Shown On Details. Refer To General Installation Instructions.



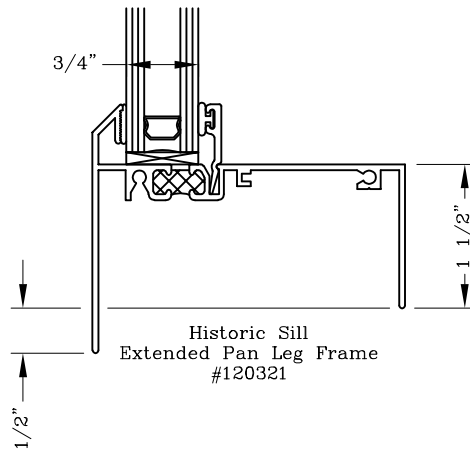
Historic Sill
Equal Leg Frame
#200310



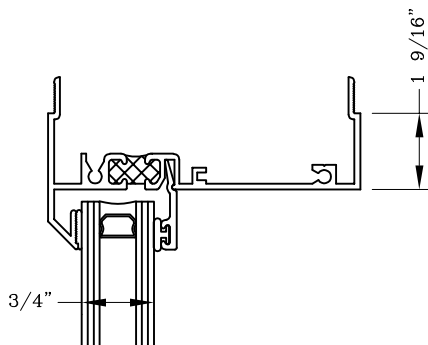
Historic Sill
Extended Leg Frame
#200315



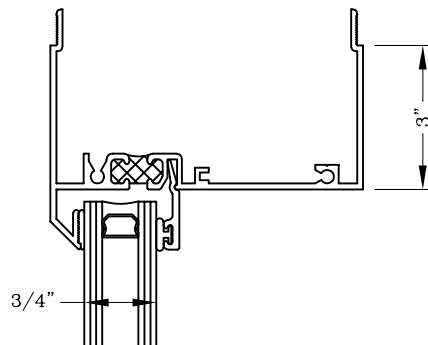
Historic Sill
Pan Leg Frame
#120320



Historic Sill
Extended Pan Leg Frame
#120321



Historic Head
Self-Mull Frame
#200311



Historic Head
Extended Self-Mull Frame
#200316

Graham Architectural Products reserves the right to change, add, cancel, remove or otherwise modify the details illustrated without prior notice.

1551 Mt. Rose Avenue, York, Pennsylvania 17403-2909 717.849.8100 Toll Free: 800/755-6274

Web Site: www.grahamwindows.com

Frame Options – 3 1/4” Flat

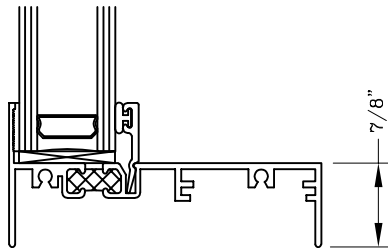


Series: 1200

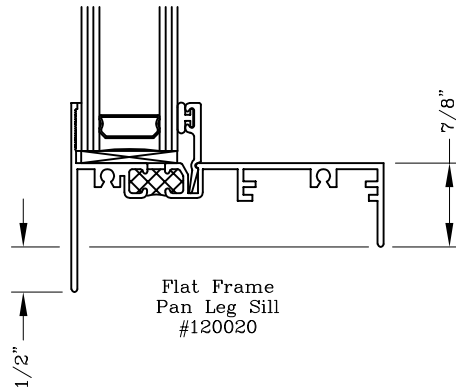
Manufacturing Code: 1209

Drawing 1/2 Scale – For Custom Size Drawing Contact Graham

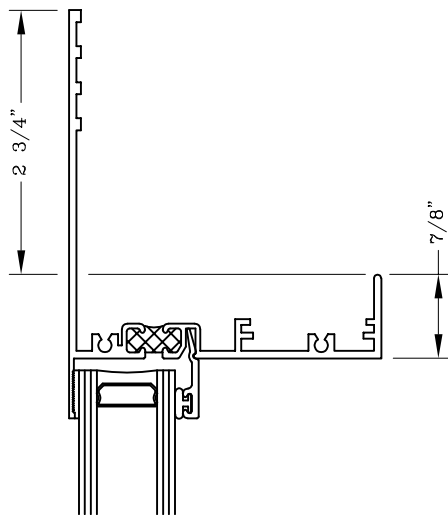
Note: Sealant Not Shown On Details. Refer To General Installation Instructions.



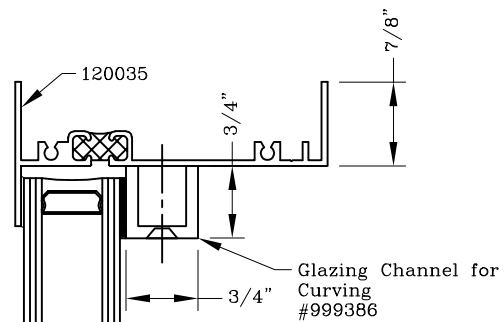
Flat Frame
Equal Leg Sill
#120010



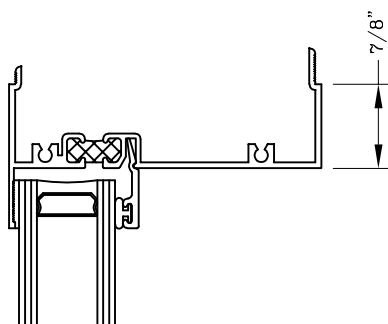
Flat Frame
Pan Leg Sill
#120020



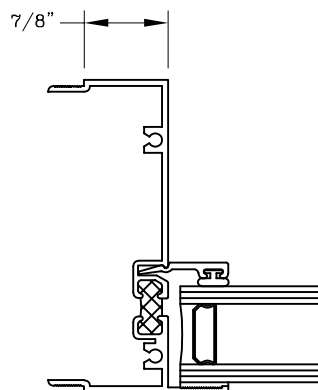
Flat Frame
Flange Head
#120012



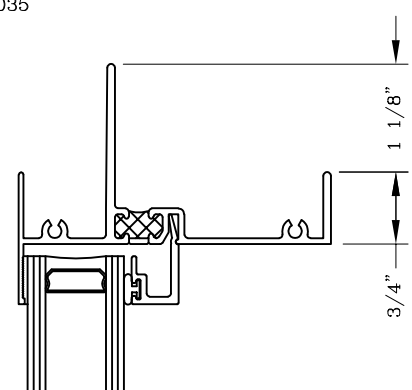
Flat Frame
Head for Curving
#120035



Flat Frame
Self-Mull Head
#120031



Flat Frame
Self-Mull Jamb
#120032



Flat Frame
Nail Fin Head
#203013

Graham Architectural Products reserves the right to change, add, cancel, remove or otherwise modify the details illustrated without prior notice.

1551 Mt. Rose Avenue, York, Pennsylvania 17403-2909 717.849.8100 Toll Free: 800/755-6274

Web Site: www.grahamwindows.com

0123 – 12.09

Glazing Options – 3 1/4” Flat & Historic

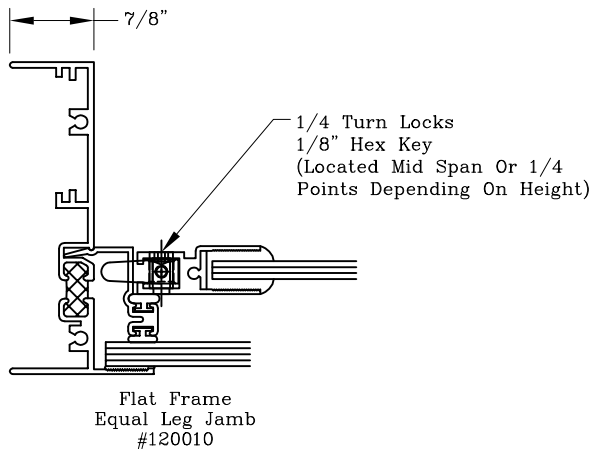
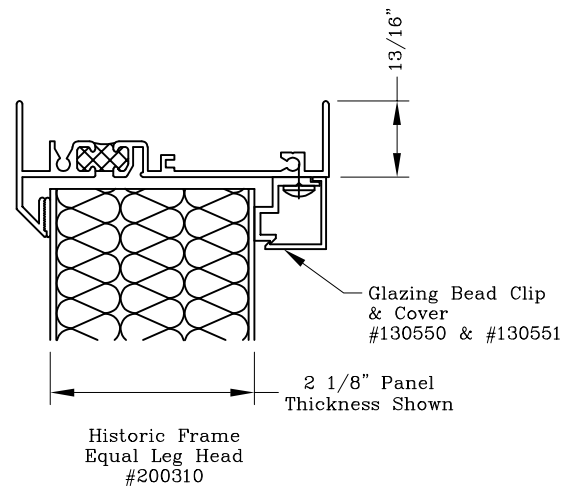
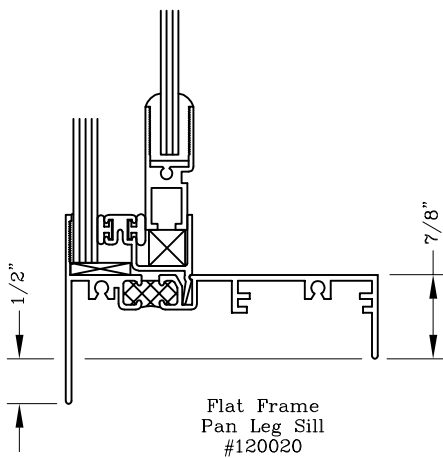
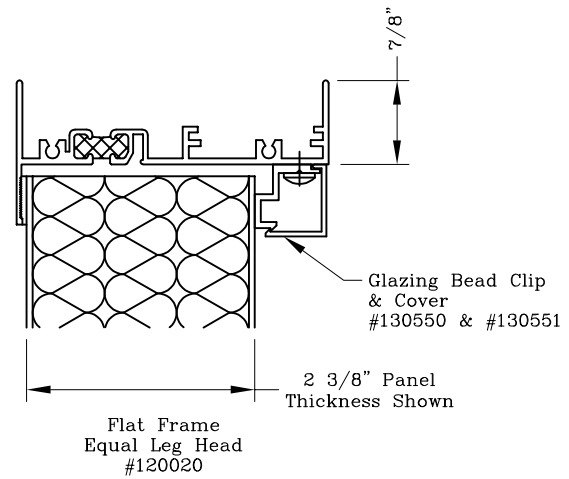
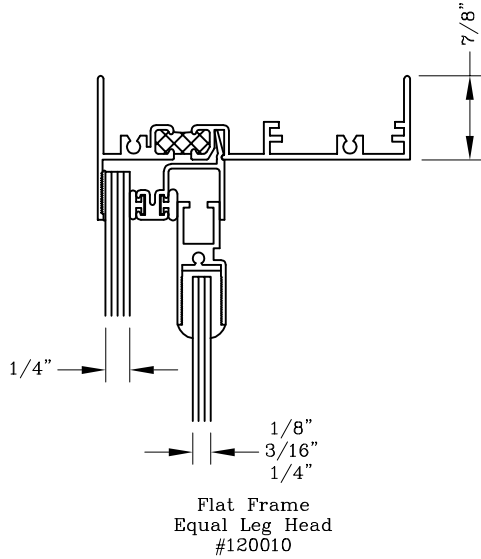


Series: 1200

Manufacturing Code: 1211

Drawing 1/2 Scale – For Custom Size Drawing Contact Graham

Note: Sealant Not Shown On Details. Refer To General Installation Instructions.



Graham Architectural Products reserves the right to change, add, cancel, remove or otherwise modify the details illustrated without prior notice.

1551 Mt. Rose Avenue, York, Pennsylvania 17403-2909 717.849.8100 Toll Free: 800/755-6274

0123 – 12.11

Web Site: www.grahamwindows.com

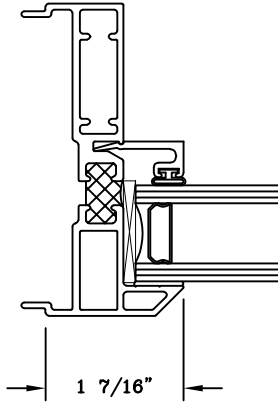
Frame Options – 3 1/4” Historic



Series 1200HP Manufacturing Code 1218

Drawing 1/2 Scale – For Custom Size Drawing Contact Graham

Note: Sealant Not Shown On Details. Refer To General Installation Instructions.



Fixed Frame – Male Self Mull Jamb
#120071