

# Frame Options - 3 1/4"

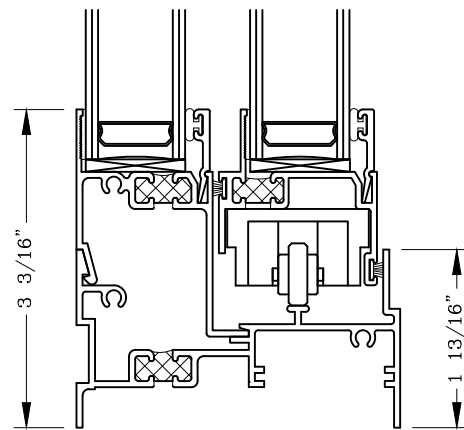
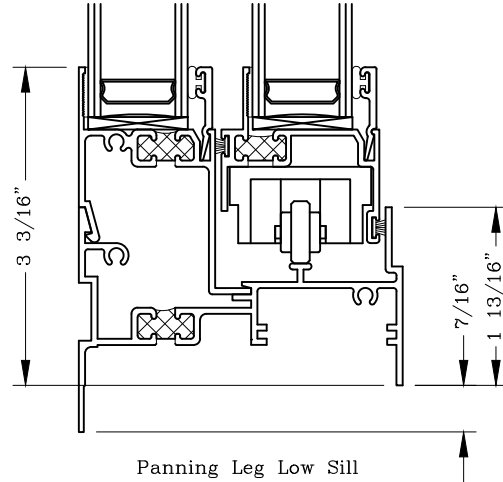
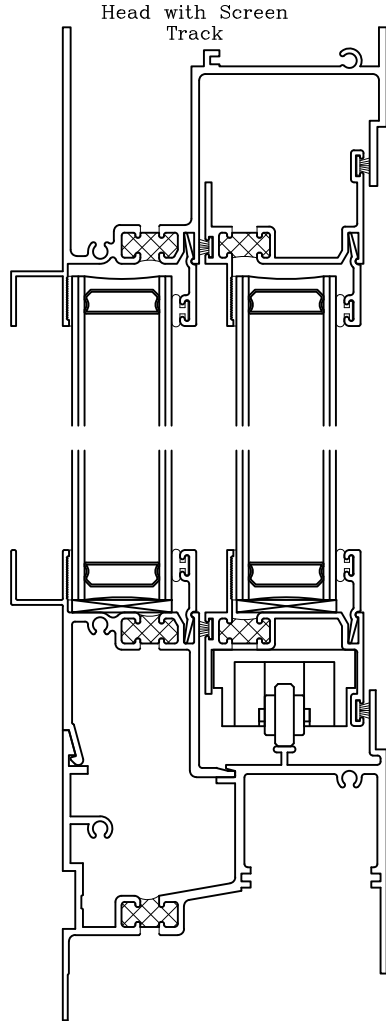


Series: 0300

Manufacturing Code: 0316

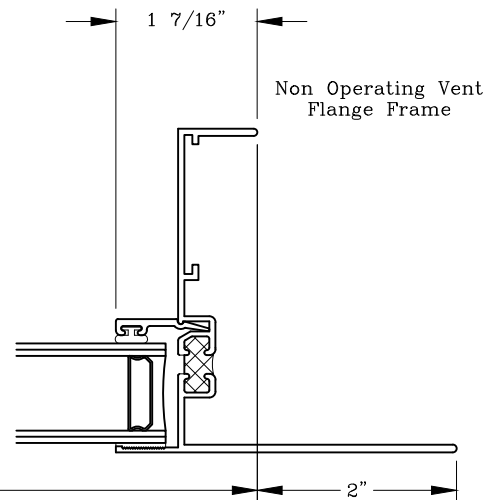
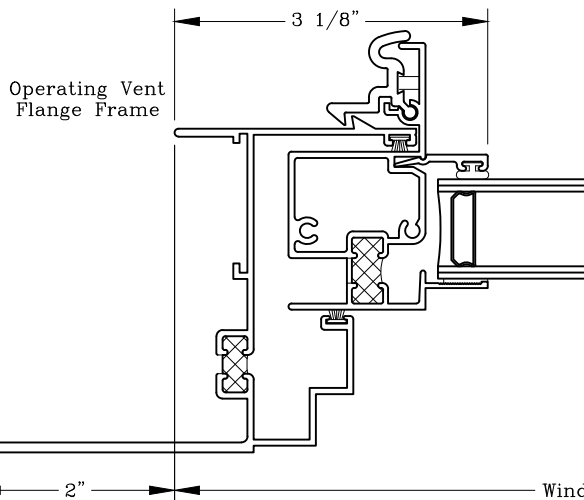
Drawing 1/2 Scale - For Custom Size Drawing Contact Graham

Note: Sealant Not Shown On Details. Refer To General Installation Instructions.



Panning Leg Sill with Screen Track

Equal Leg Low Sill



Graham Architectural Products reserves the right to change, add, cancel, remove or otherwise modify the details illustrated without prior notice.

1551 Mt. Rose Avenue, York, Pennsylvania 17403-2909 717.849.8100 Toll Free: 800/755-6274

0624 - 03.16

Web Site: [www.grahamwindows.com](http://www.grahamwindows.com)