

# Horizontal Slider – 3 1/4” W/O Screen Track

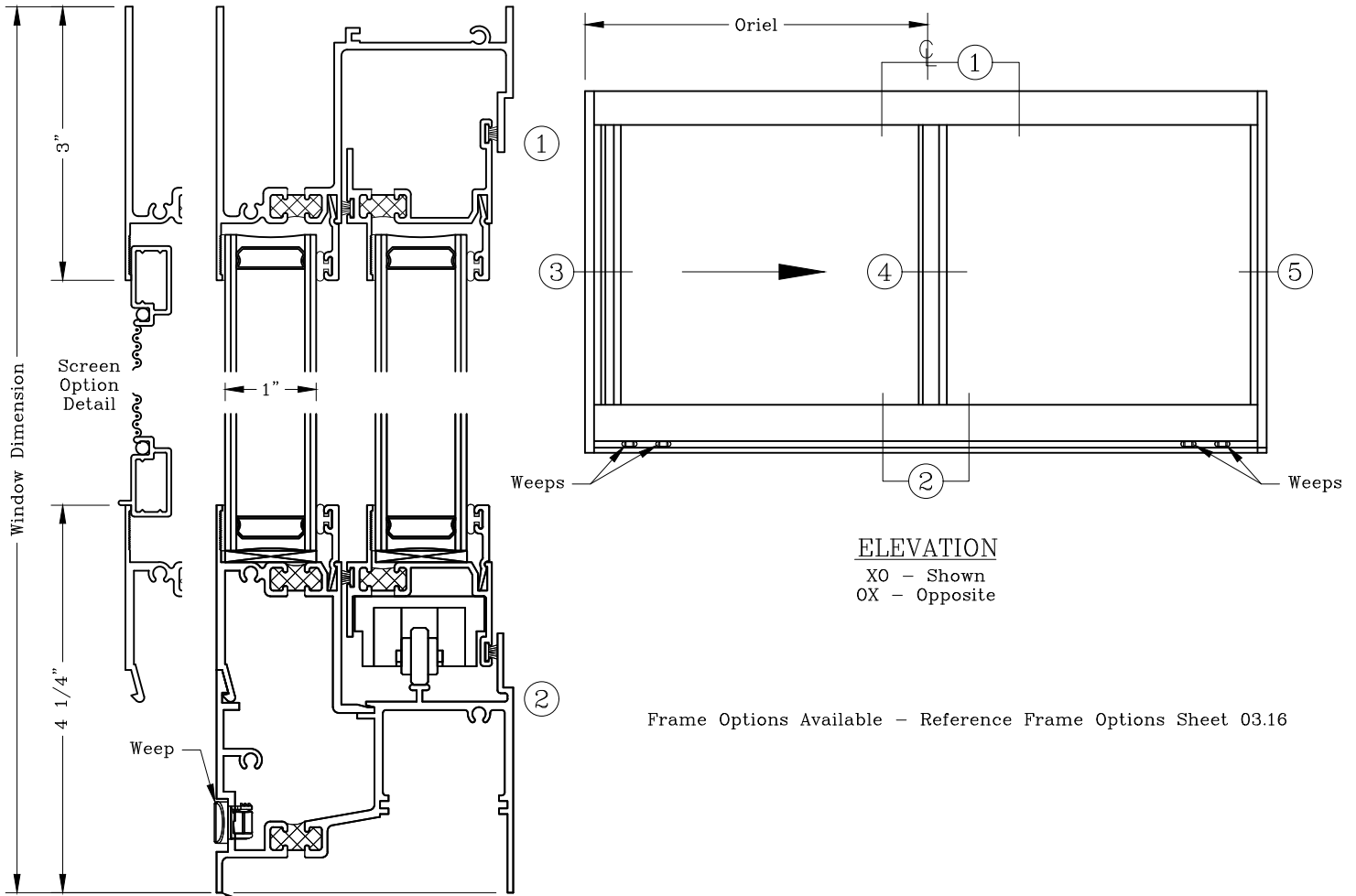


Series: 0300

Manufacturing Code: 0301

Drawing 1/2 Scale – For Custom Size Drawing Contact Graham

Note: Sealant Not Shown On Details. Refer To General Installation Instructions.

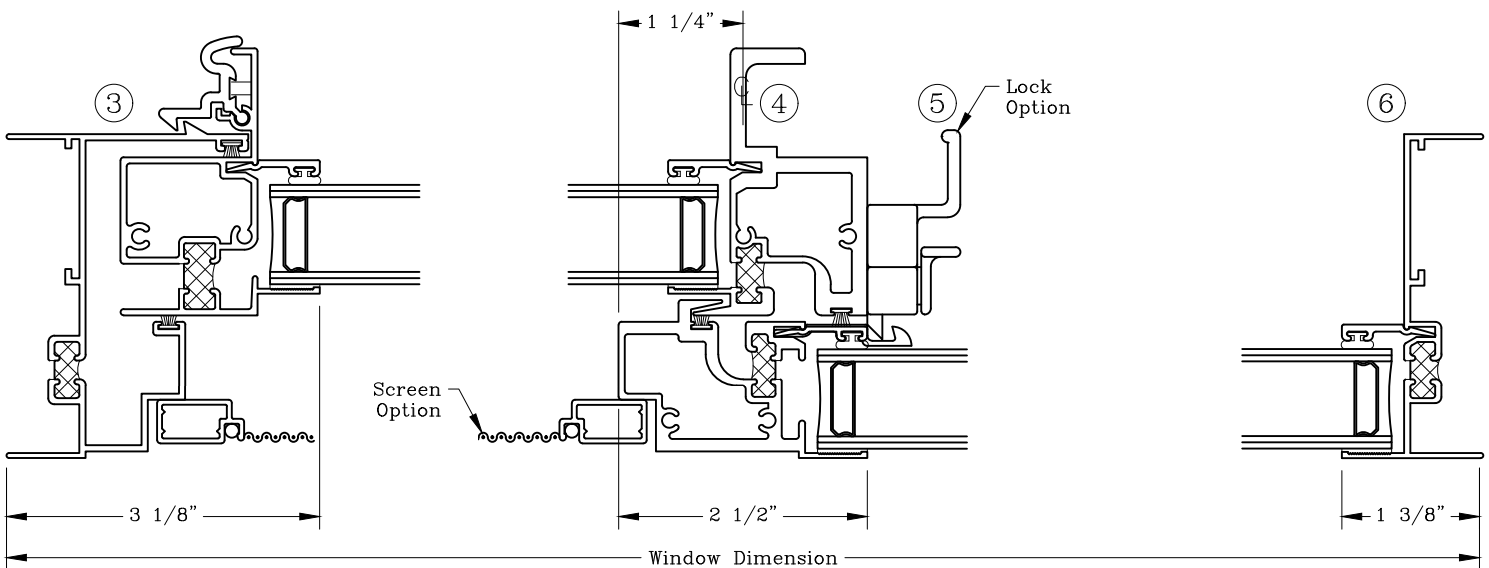


**ELEVATION**

XO – Shown  
OX – Opposite

Frame Options Available – Reference Frame Options Sheet 03.16

Equal Leg Sill Shown  
Pan Leg Sill Available For Attached Panning Applications



Graham Architectural Products reserves the right to change, add, cancel, remove or otherwise modify the details illustrated without prior notice.

1551 Mt. Rose Avenue, York, Pennsylvania 17403-2909 717.849.8100 Toll Free: 800/755-6274

0624 – 03.01

Web Site: [www.grahamwindows.com](http://www.grahamwindows.com)

# Horizontal Slider - 3 1/4"

## W/O Screen Track

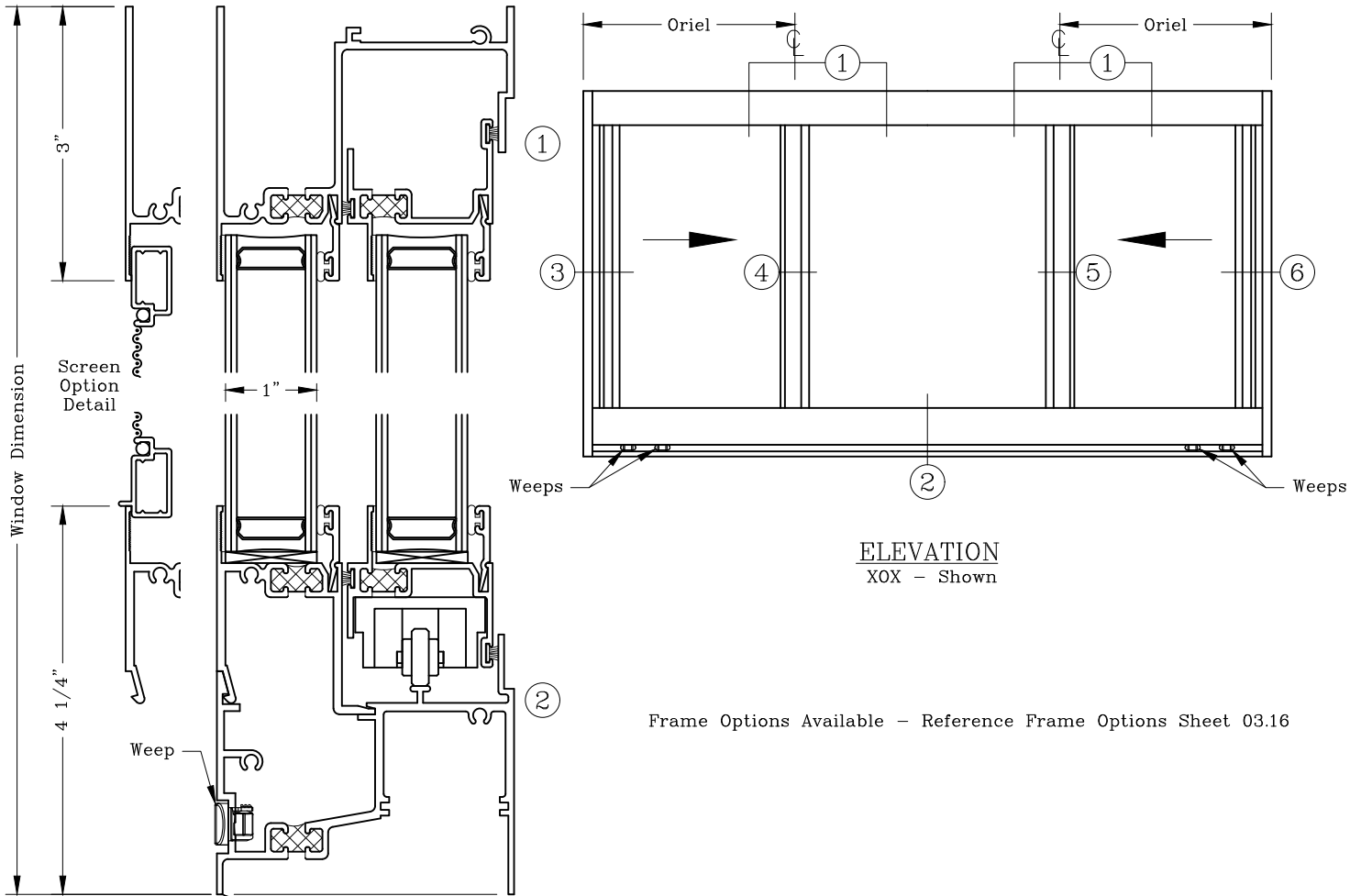


Series: 0300

Manufacturing Code: 0302

Drawing 1/2 Scale - For Custom Size Drawing Contact Graham

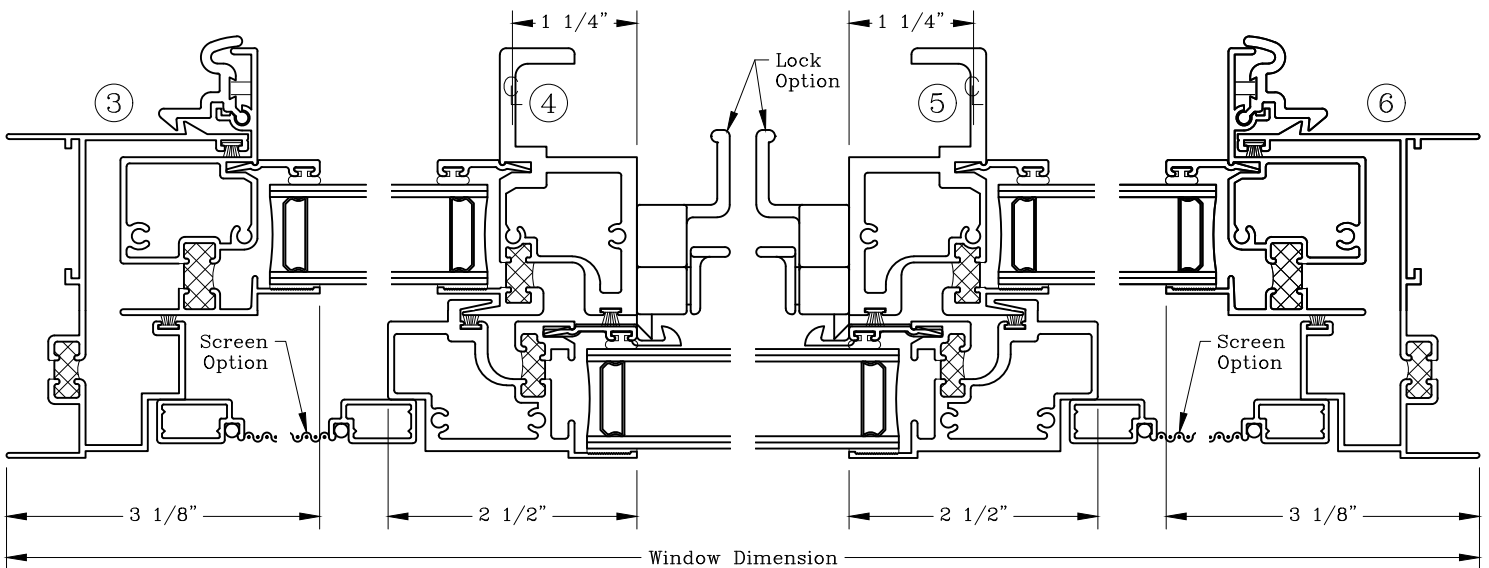
Note: Sealant Not Shown On Details. Refer To General Installation Instructions.



**ELEVATION**  
XOX - Shown

Frame Options Available - Reference Frame Options Sheet 03.16

Equal Leg Sill Shown  
Pan Leg Sill Available For Attached Panning Applications



Graham Architectural Products reserves the right to change, add, cancel, remove or otherwise modify the details illustrated without prior notice.

1551 Mt. Rose Avenue, York, Pennsylvania 17403-2909 717.849.8100 Toll Free: 800/755-6274

0624 - 03.02

Web Site: [www.grahamwindows.com](http://www.grahamwindows.com)

# Horizontal Slider – 3 1/4” With Screen Track

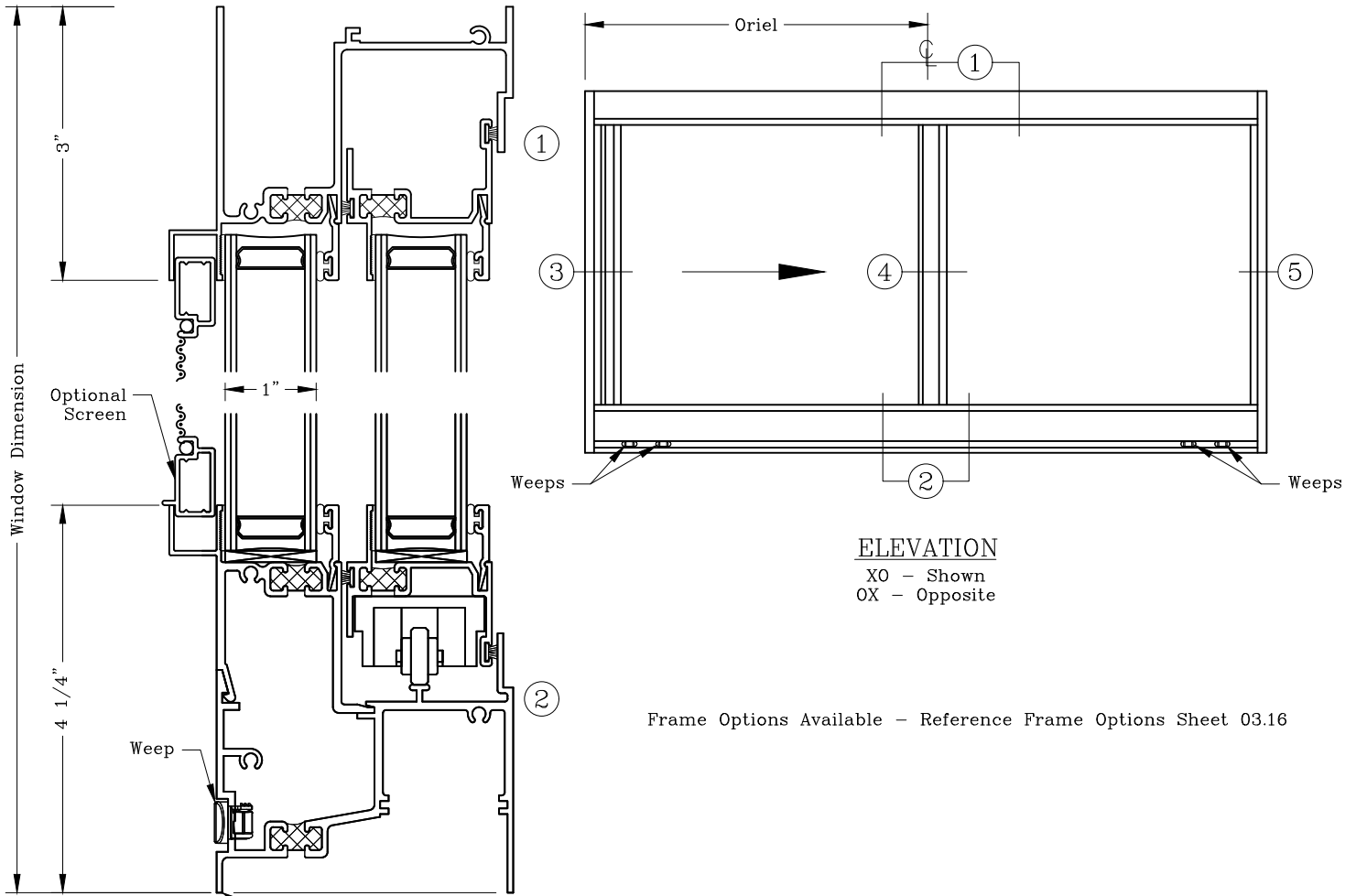


Series: 0300

Manufacturing Code: 0303

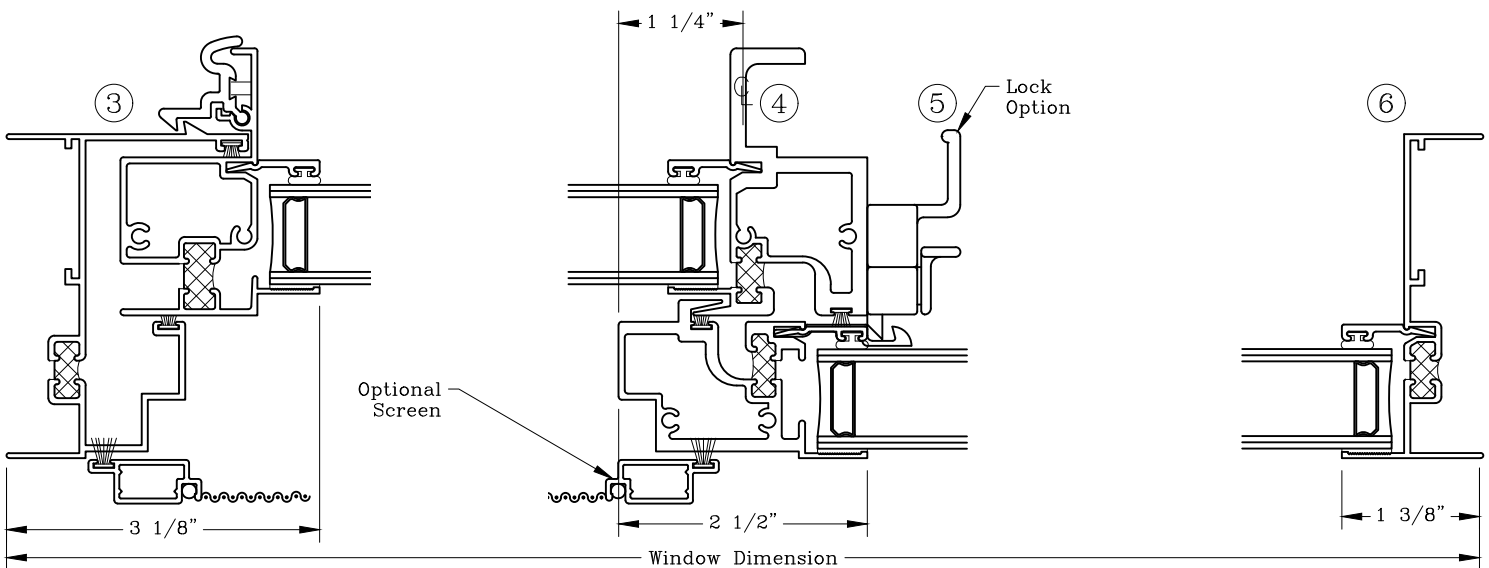
Drawing 1/2 Scale – For Custom Size Drawing Contact Graham

Note: Sealant Not Shown On Details. Refer To General Installation Instructions.



Frame Options Available – Reference Frame Options Sheet 03.16

Equal Leg Sill Shown  
Pan Leg Sill Available For Attached Panning Applications



Graham Architectural Products reserves the right to change, add, cancel, remove or otherwise modify the details illustrated without prior notice.

1551 Mt. Rose Avenue, York, Pennsylvania 17403-2909 717.849.8100 Toll Free: 800/755-6274

0624 – 03.03

Web Site: [www.grahamwindows.com](http://www.grahamwindows.com)

# Horizontal Slider – 3 1/4” With Screen Track

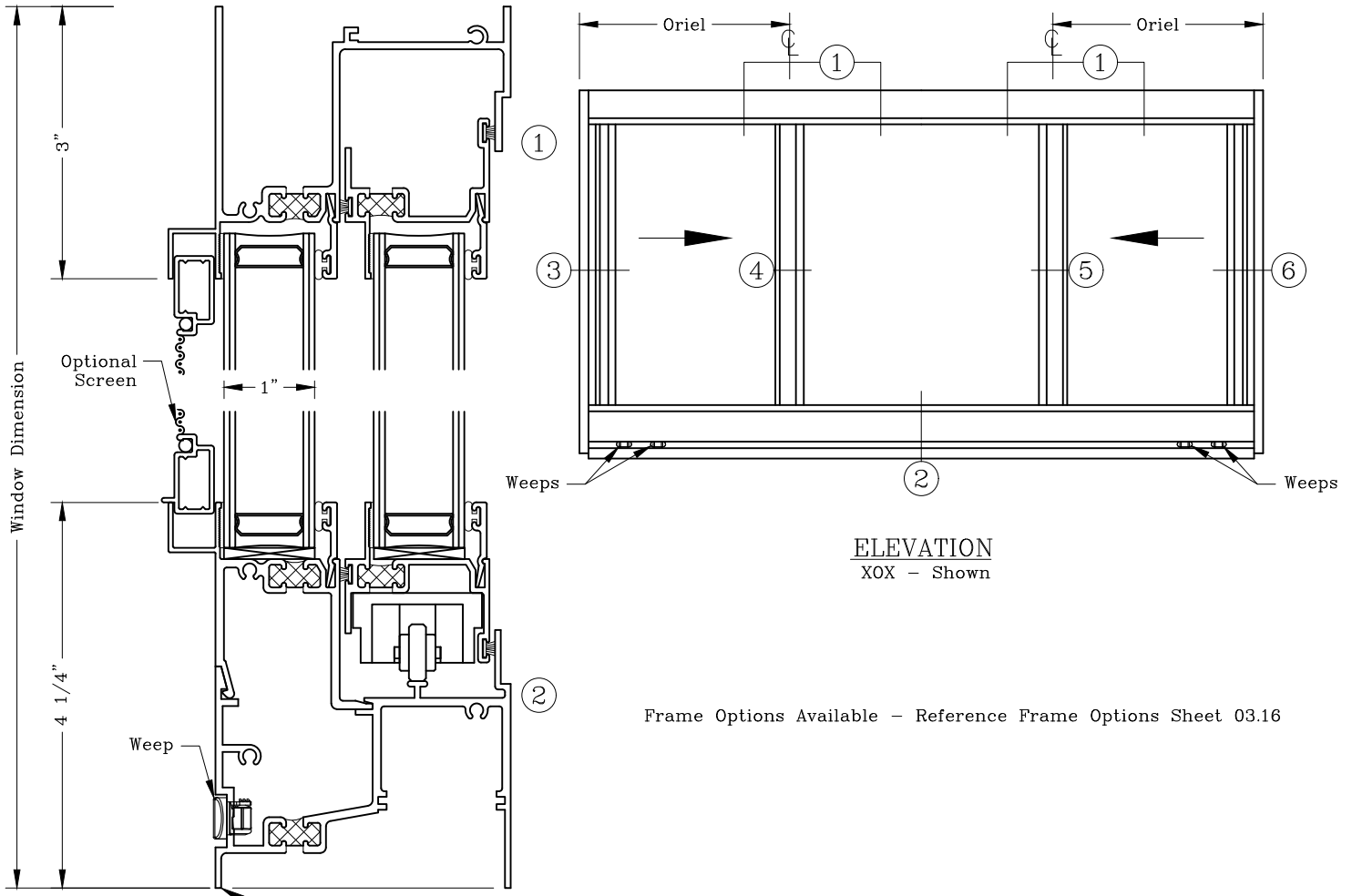


Series: 0300

Manufacturing Code: 0304

Drawing 1/2 Scale – For Custom Size Drawing Contact Graham

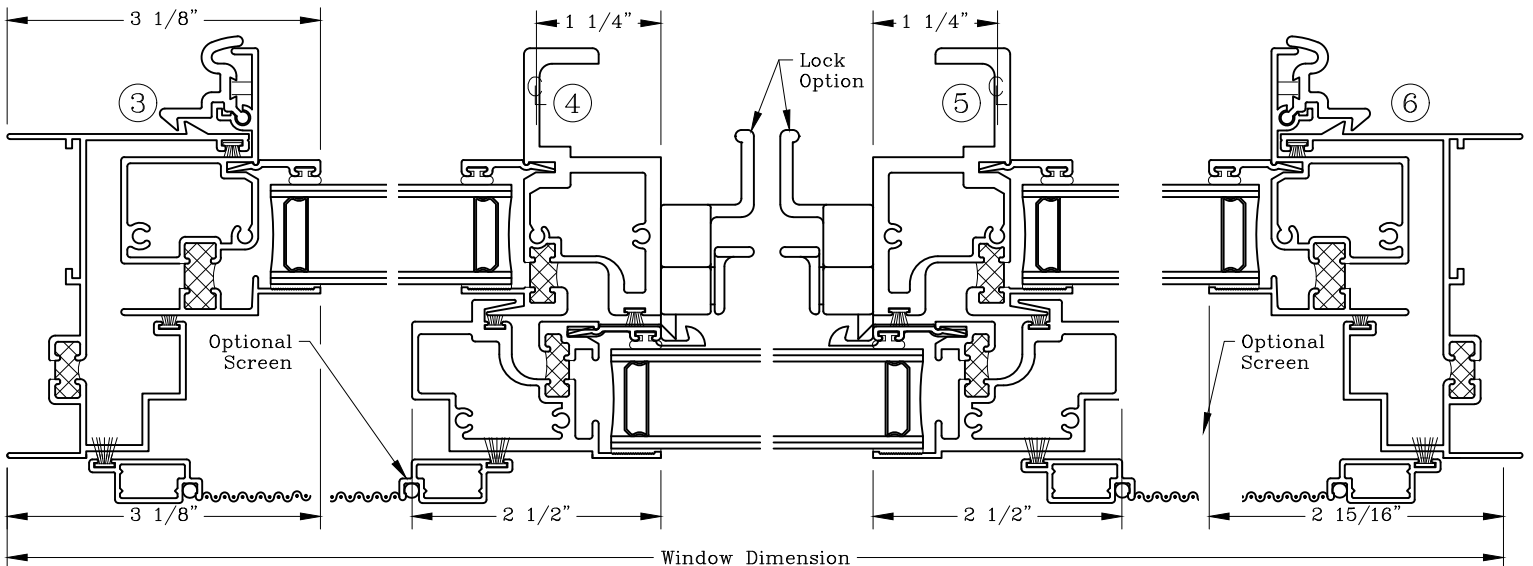
Note: Sealant Not Shown On Details. Refer To General Installation Instructions.



**ELEVATION**  
XOX – Shown

Frame Options Available – Reference Frame Options Sheet 03.16

Equal Leg Sill Shown  
Pan Leg Sill Available For Attached Panning Applications



Graham Architectural Products reserves the right to change, add, cancel, remove or otherwise modify the details illustrated without prior notice.

1551 Mt. Rose Avenue, York, Pennsylvania 17403-2909 717.849.8100 Toll Free: 800/755-6274

0624 – 03.04

Web Site: [www.grahamwindows.com](http://www.grahamwindows.com)

# Frame Options - 3 1/4"

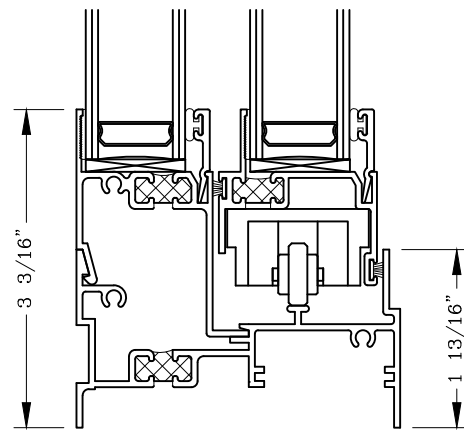
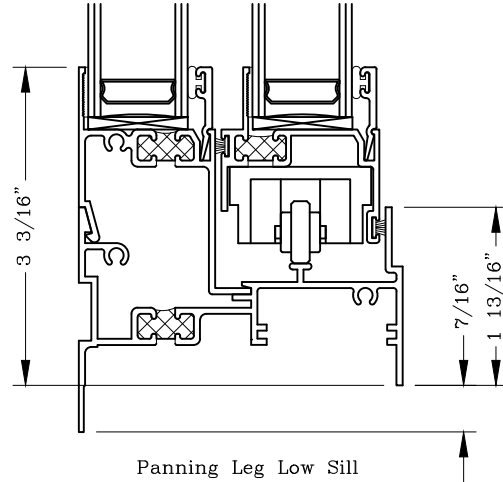
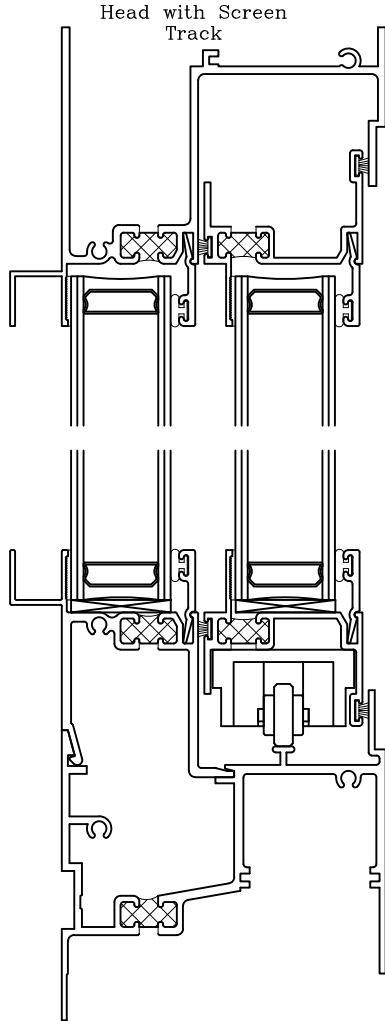


Series: 0300

Manufacturing Code: 0316

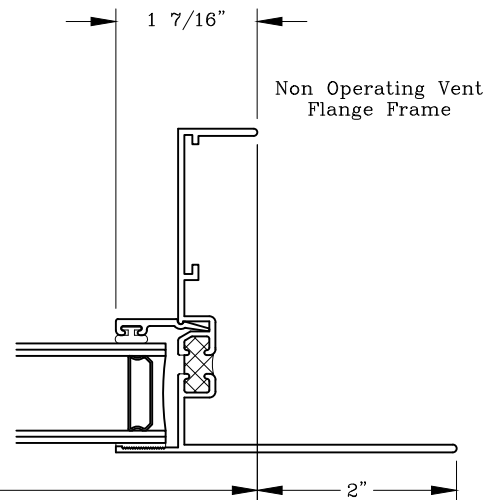
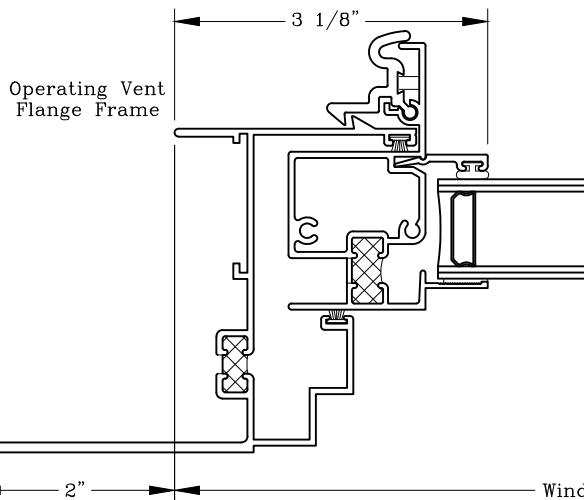
Drawing 1/2 Scale - For Custom Size Drawing Contact Graham

Note: Sealant Not Shown On Details. Refer To General Installation Instructions.



Panning Leg Sill with Screen Track

Equal Leg Low Sill



2"

Window Width

2"

Graham Architectural Products reserves the right to change, add, cancel, remove or otherwise modify the details illustrated without prior notice.

1551 Mt. Rose Avenue, York, Pennsylvania 17403-2909 717.849.8100 Toll Free: 800/755-6274

0624 - 03.16

Web Site: [www.grahamwindows.com](http://www.grahamwindows.com)