

4 1/2" Window Wall

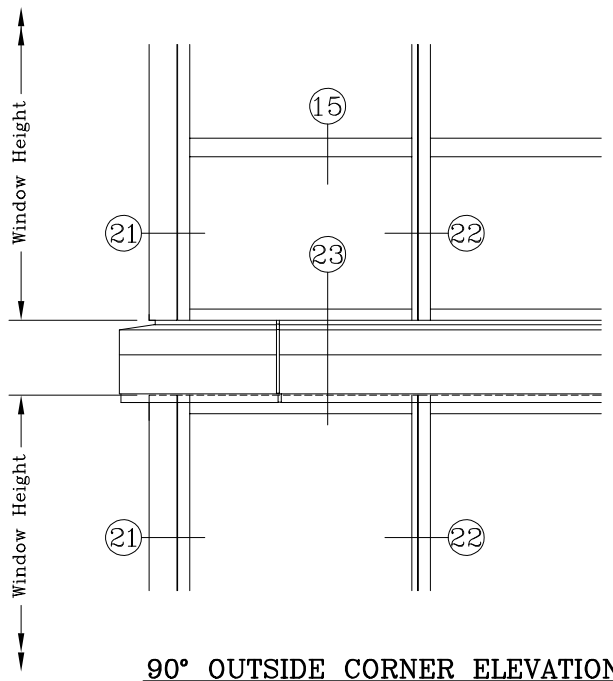
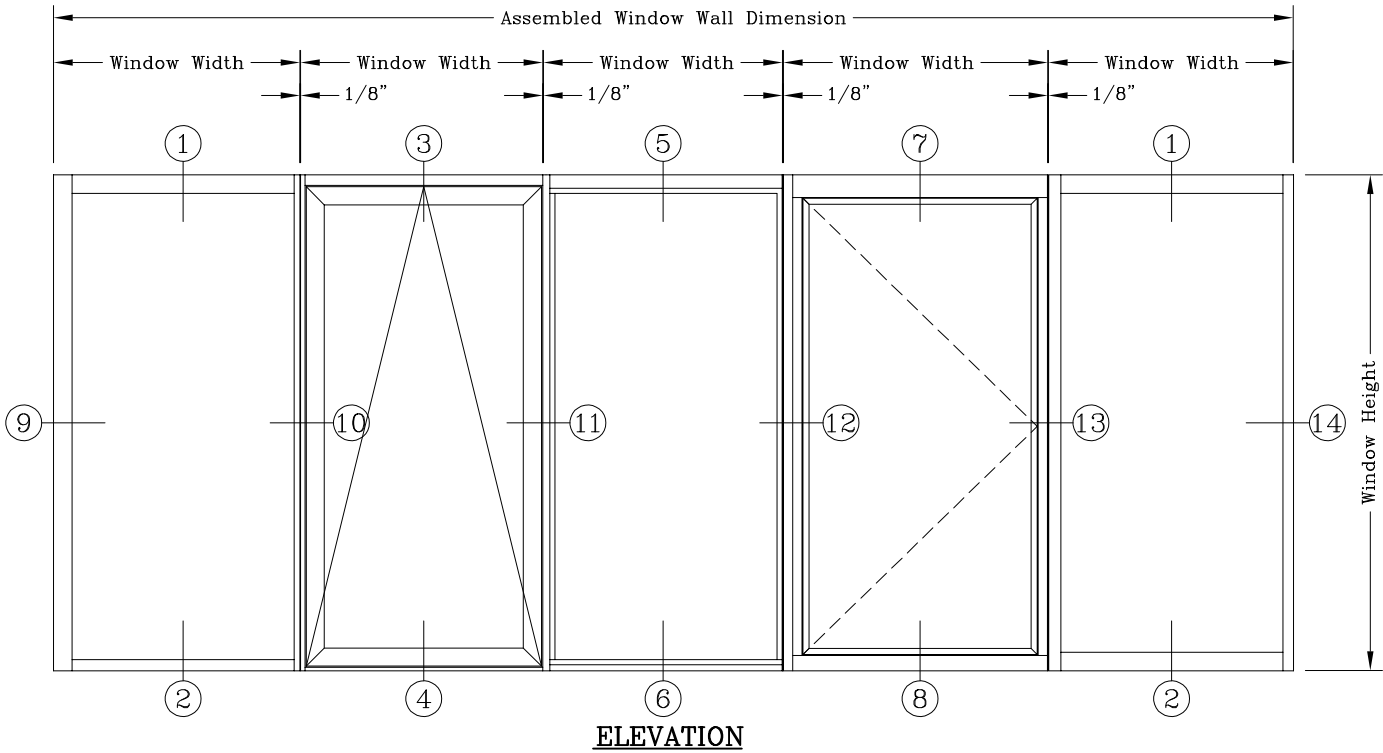


Series: W4500

Manufacturing Code: W4501

Drawing 1/2 Scale – For Custom Size Drawing Contact Graham

Note: Sealant Not Shown On Details. Refer To General Installation Instructions.



Graham Architectural Products reserves the right to change, add, cancel, remove or otherwise modify the details illustrated without prior notice.

1551 Mt. Rose Avenue, York, Pennsylvania 17403-2909 800/755-6274 Fax: 800/366-5097

1120 - W45.01

Web Site: www.grahamwindows.com

4 1/2" Window Wall

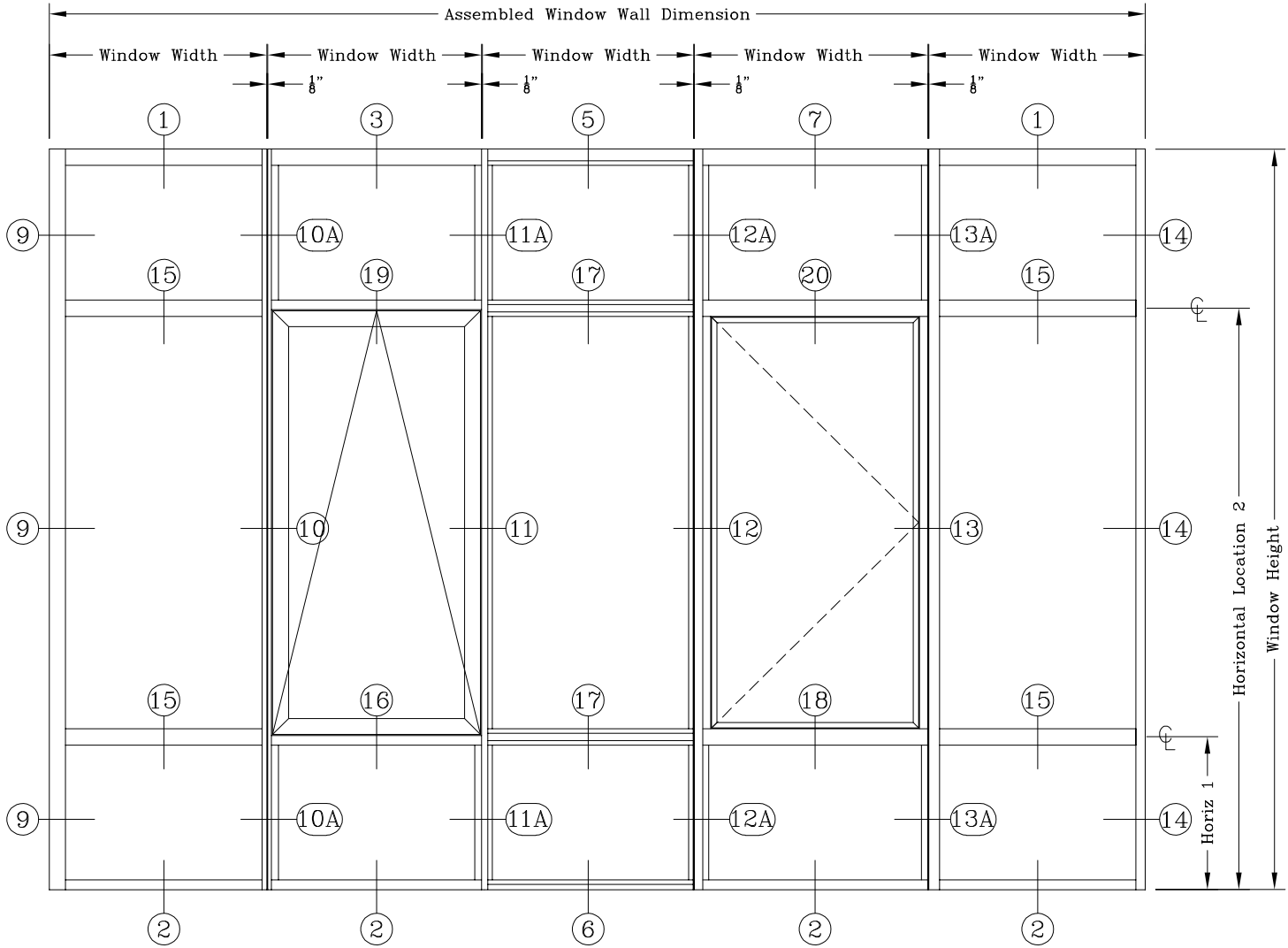


Series: W4500

Manufacturing Code: W4502

Drawing 1/2 Scale – For Custom Size Drawing Contact Graham

Note: Sealant Not Shown On Details. Refer To General Installation Instructions.



ELEVATION

Graham Architectural Products reserves the right to change, add, cancel, remove or otherwise modify the details illustrated without prior notice.

1551 Mt. Rose Avenue, York, Pennsylvania 17403-2909 800/755-6274 Fax: 800/366-5097

1120 - W45.02

Web Site: www.grahamwindows.com

4 1/2" Window Wall



Series: W4500

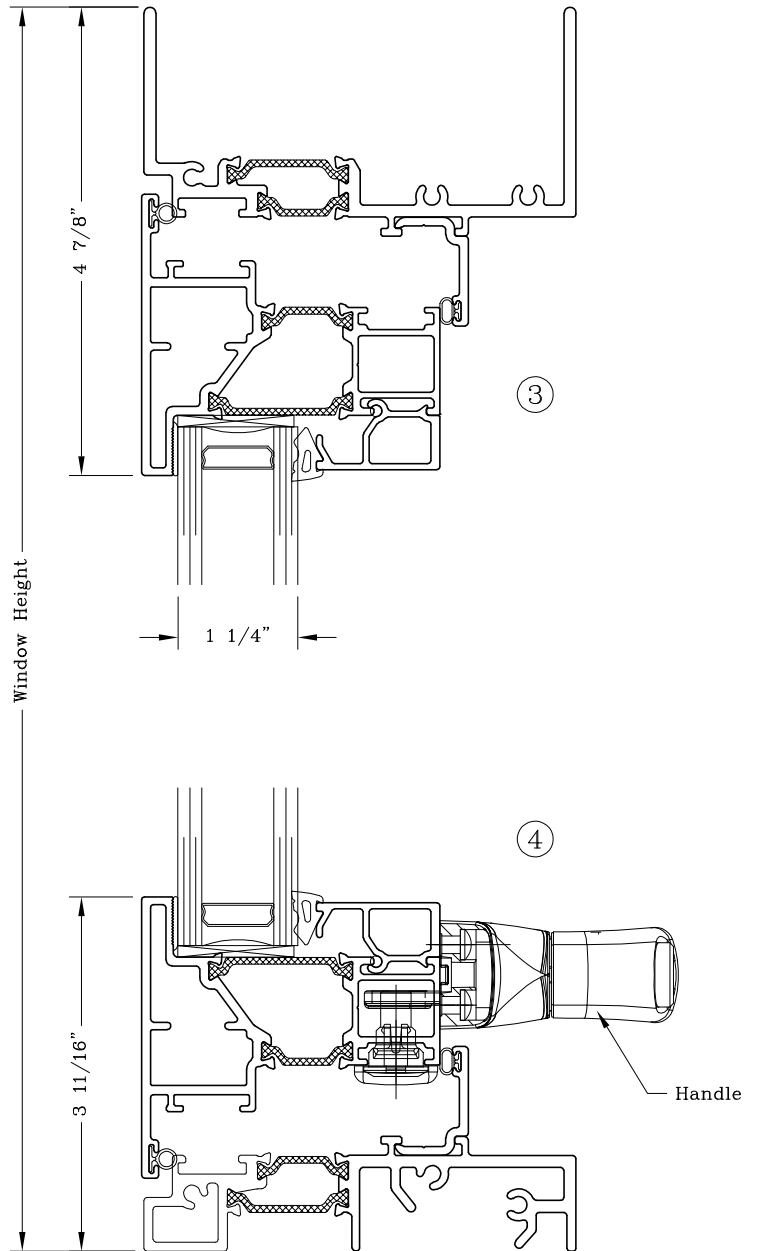
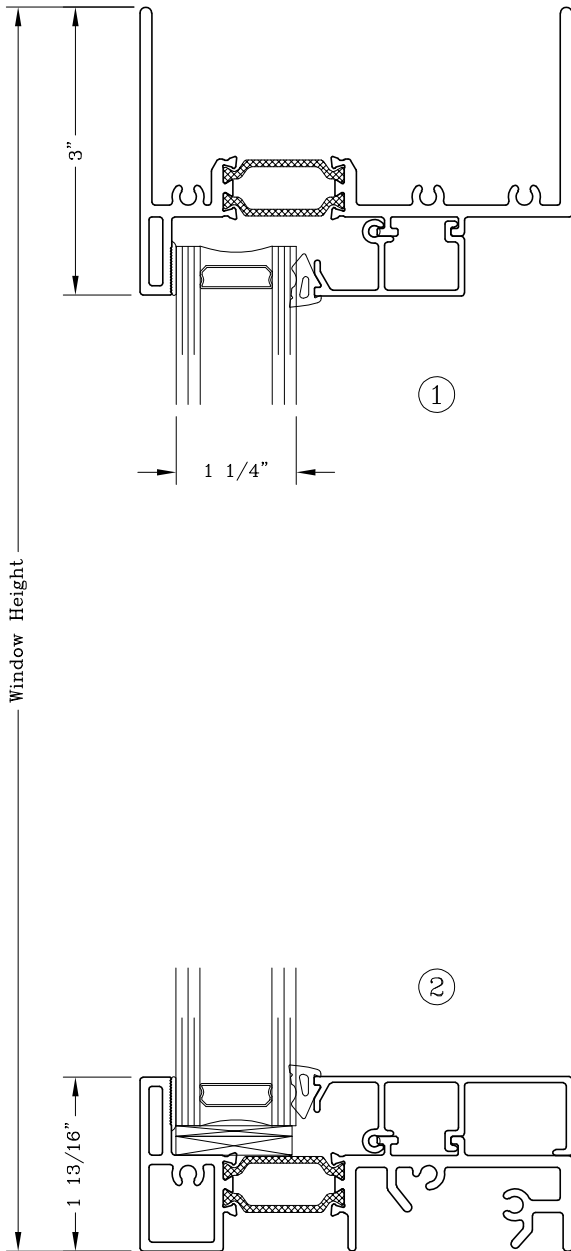
Manufacturing Code: W4503

Drawing 1/2 Scale – For Custom Size Drawing Contact Graham

Note: Sealant Not Shown On Details. Refer To General Installation Instructions.

Fixed Interior Glazed

Project-Out
(Awning Shown)



Graham Architectural Products reserves the right to change, add, cancel, remove or otherwise modify the details illustrated without prior notice.

1551 Mt. Rose Avenue, York, Pennsylvania 17403-2909 800/755-6274 Fax: 800/366-5097

1120 - W45.03

Web Site: www.grahamwindows.com

4 1/2" Window Wall



Series: W4500

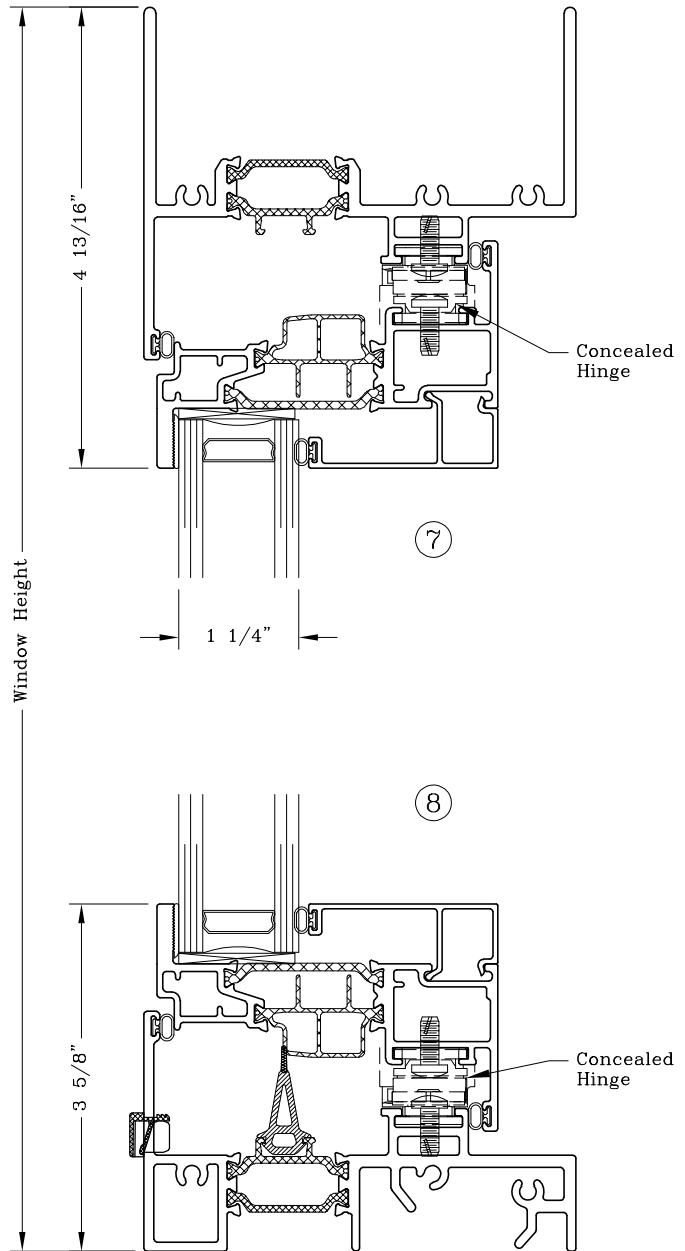
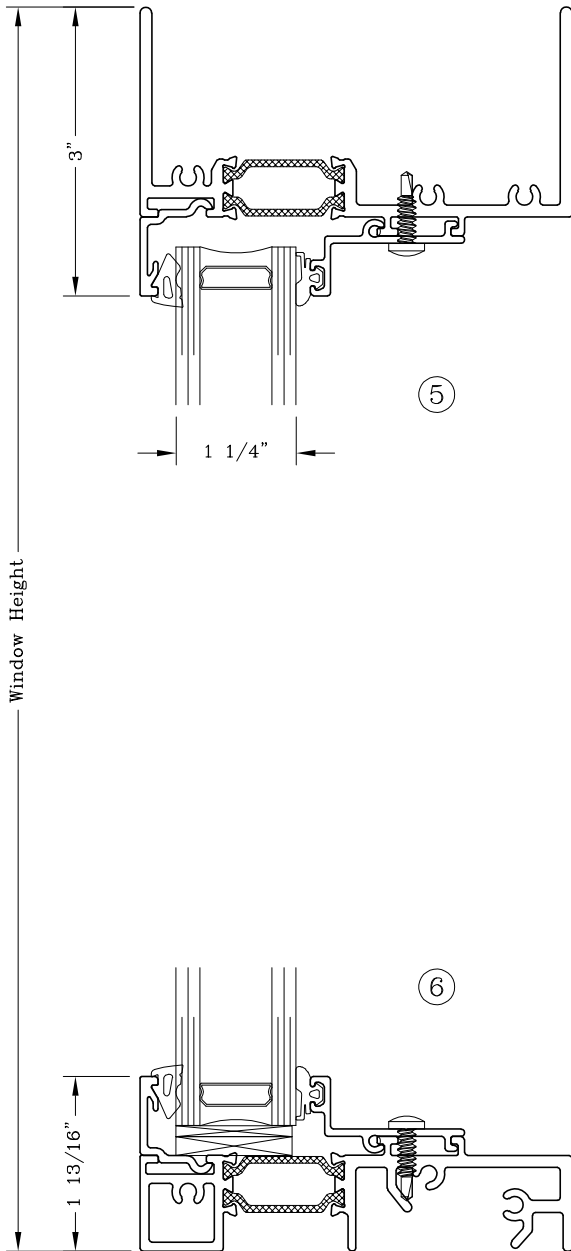
Manufacturing Code: W4504

Drawing 1/2 Scale – For Custom Size Drawing Contact Graham

Note: Sealant Not Shown On Details. Refer To General Installation Instructions.

Fixed Exterior Glazed

Project-In
(Casement Shown)



Graham Architectural Products reserves the right to change, add, cancel, remove or otherwise modify the details illustrated without prior notice.

1551 Mt. Rose Avenue, York, Pennsylvania 17403-2909 800/755-6274 Fax: 800/366-5097

1120 - W45.04

Web Site: www.grahamwindows.com

4 1/2" Window Wall



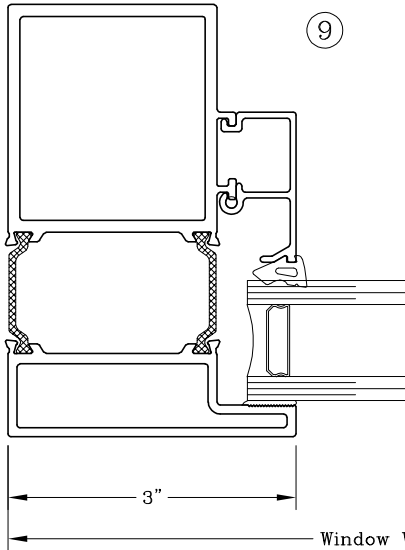
Series: W4500

Manufacturing Code: W4505

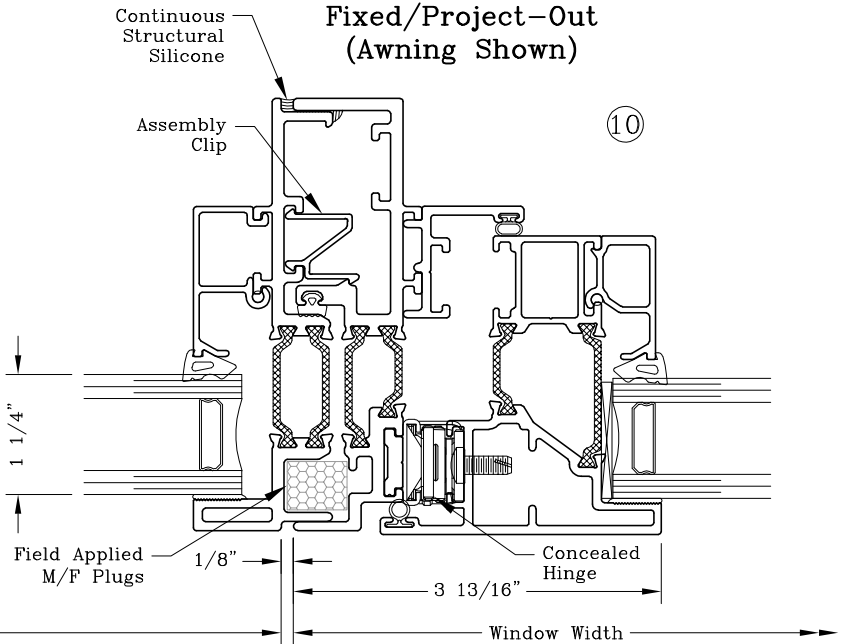
Drawing 1/2 Scale – For Custom Size Drawing Contact Graham

Note: Sealant Not Shown On Details. Refer To General Installation Instructions.

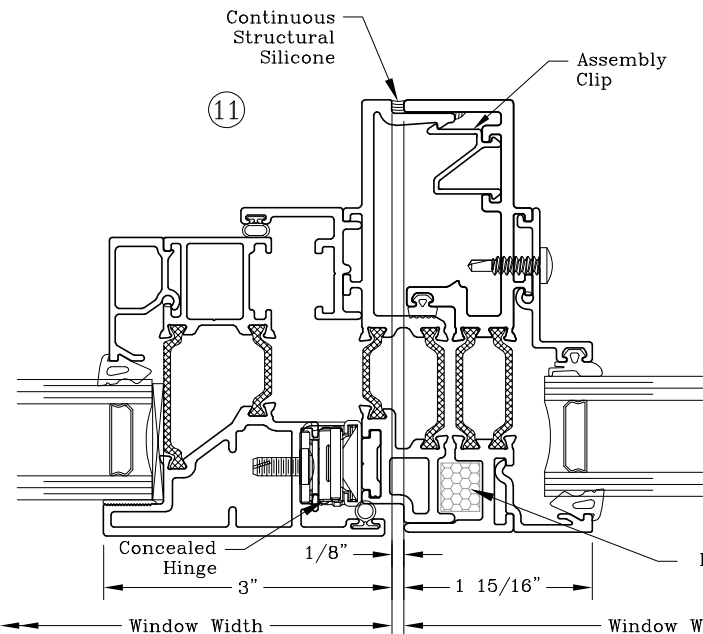
**Fixed Interior Glazed
Large Cap Jamb**



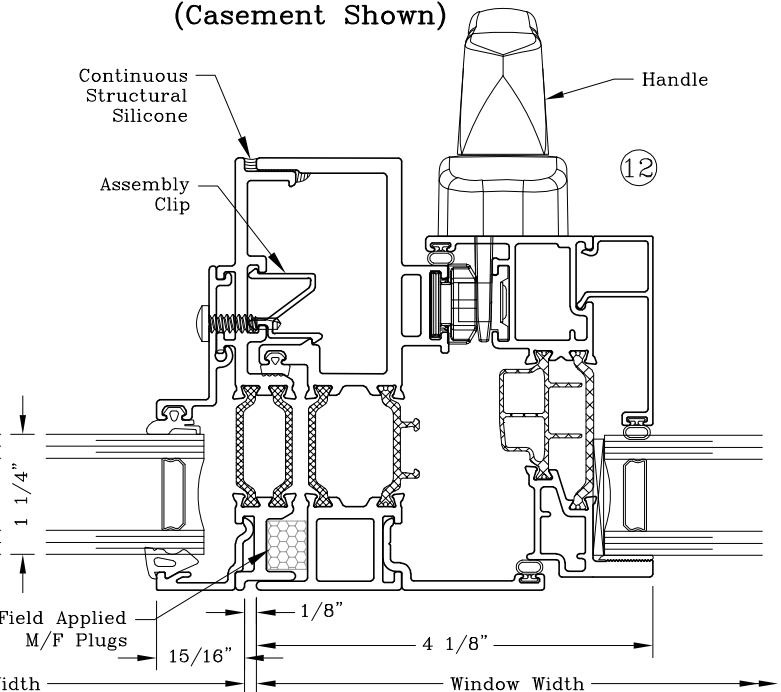
**Male/Female
Fixed/Project-Out
(Awning Shown)**



**Male/Female
Project-Out/Fixed Exterior Glazed**



**Male/Female
Fixed Exterior Glazed/Project-In
(Casement Shown)**



Graham Architectural Products reserves the right to change, add, cancel, remove or otherwise modify the details illustrated without prior notice.

1551 Mt. Rose Avenue, York, Pennsylvania 17403-2909 800/755-6274 Fax: 800/366-5097

1120 - W45.05

Web Site: www.grahamwindows.com

4 1/2" Window Wall



Series: W4500

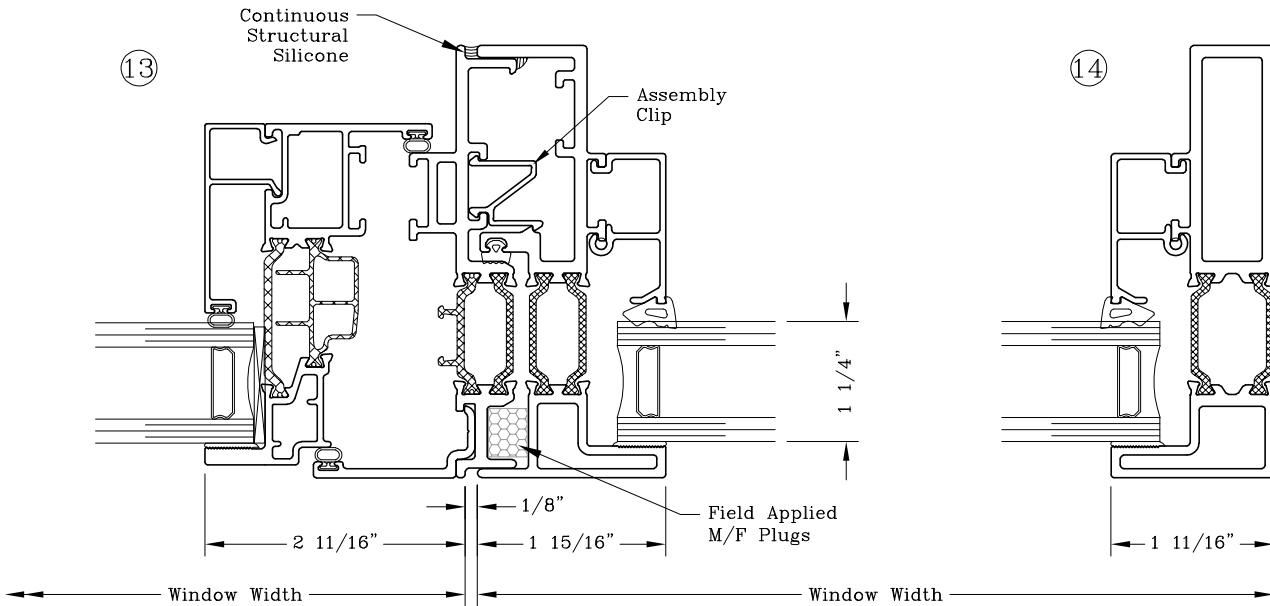
Manufacturing Code: W4506

Drawing 1/2 Scale – For Custom Size Drawing Contact Graham

Note: Sealant Not Shown On Details. Refer To General Installation Instructions.

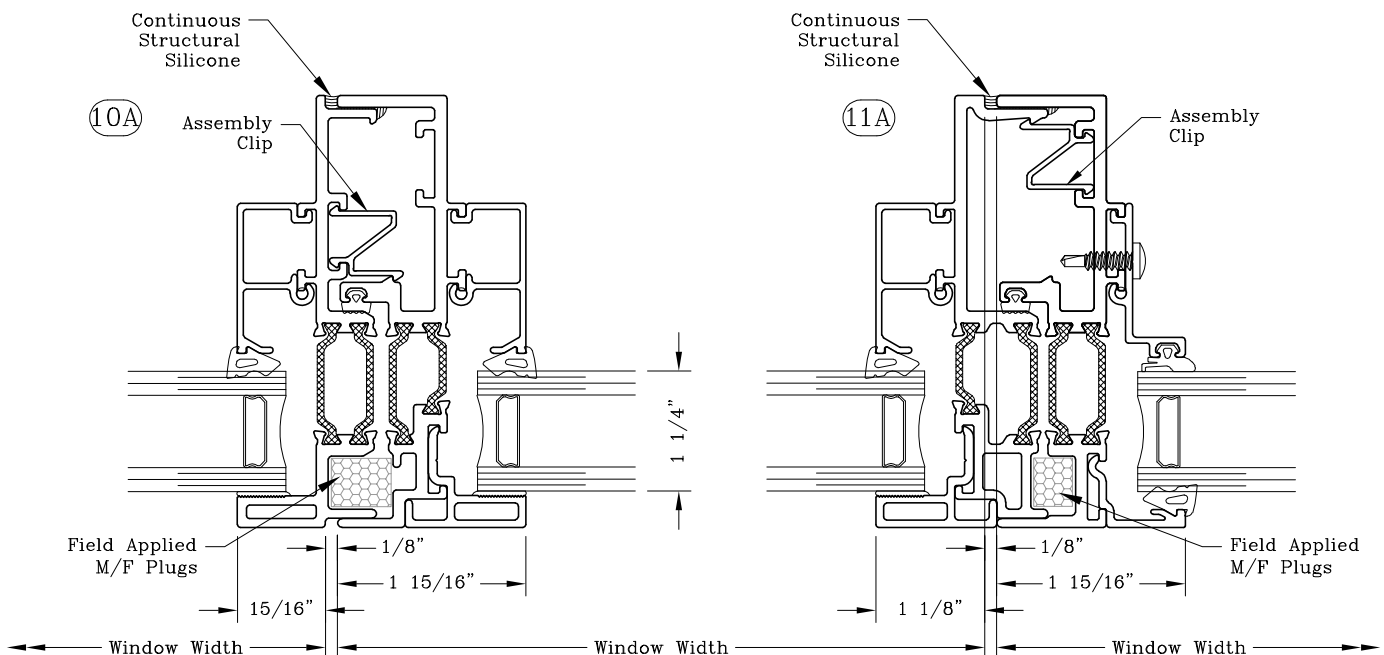
**Male/Female
Project-In/Fixed Interior Glazed
(Casement Shown)**

**Fixed Interior Glazed
Small Cap Jamb**



**Male/Female
Fixed Interior Glazed/Project-Out Fixed**

**Male/Female
Project-Out Fixed/Fixed Exterior Glazed**



Graham Architectural Products reserves the right to change, add, cancel, remove or otherwise modify the details illustrated without prior notice.

1551 Mt. Rose Avenue, York, Pennsylvania 17403-2909 800/755-6274 Fax: 800/366-5097

1120 - W45.06

Web Site: www.grahamwindows.com

4 1/2" Window Wall



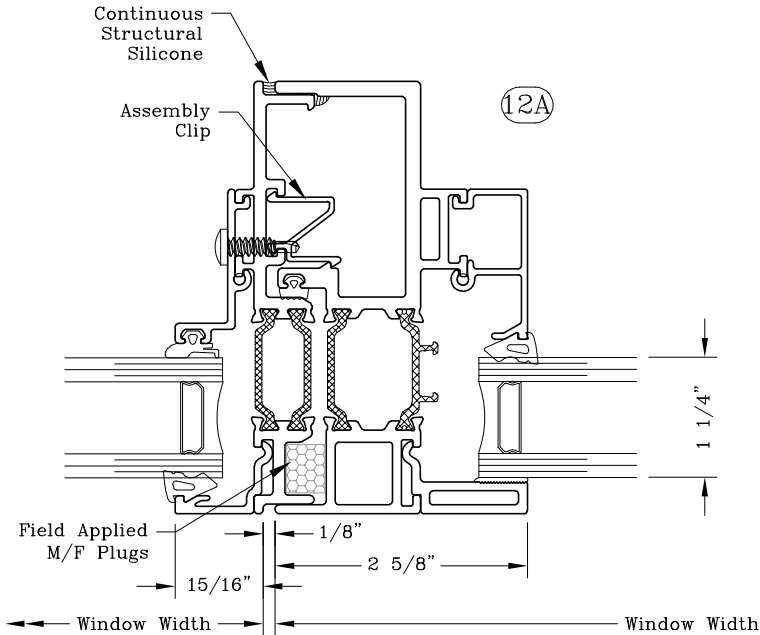
Series: W4500

Manufacturing Code: W4507

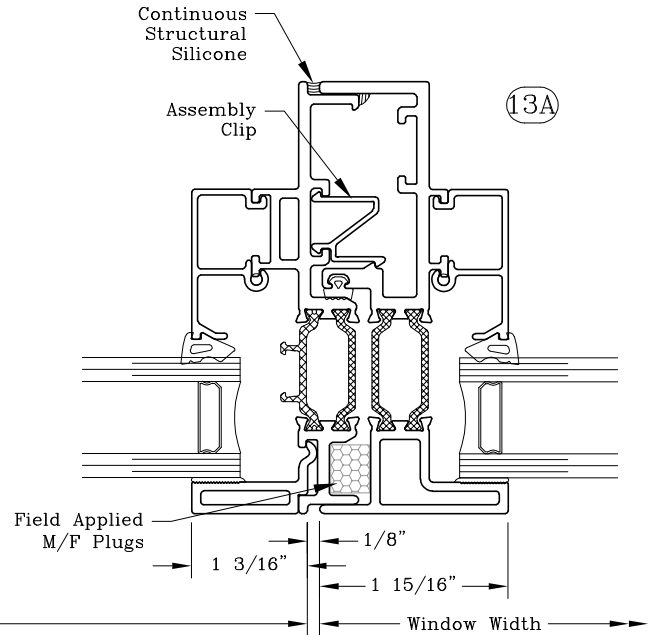
Drawing 1/2 Scale – For Custom Size Drawing Contact Graham

Note: Sealant Not Shown On Details. Refer To General Installation Instructions.

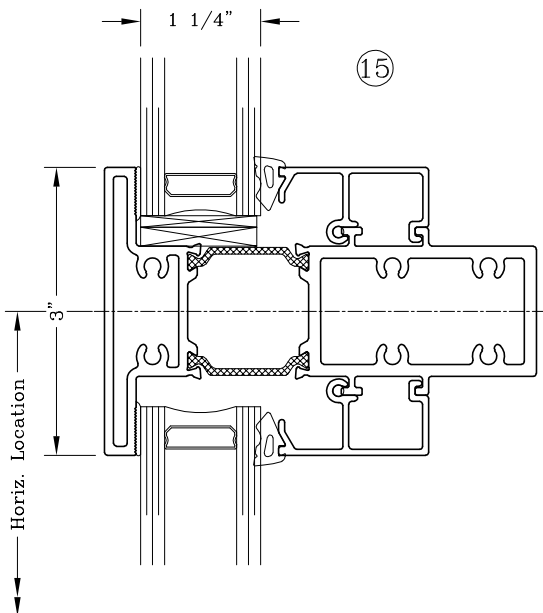
**Male/Female
Fixed Exterior Glazed/Project-In Fixed**



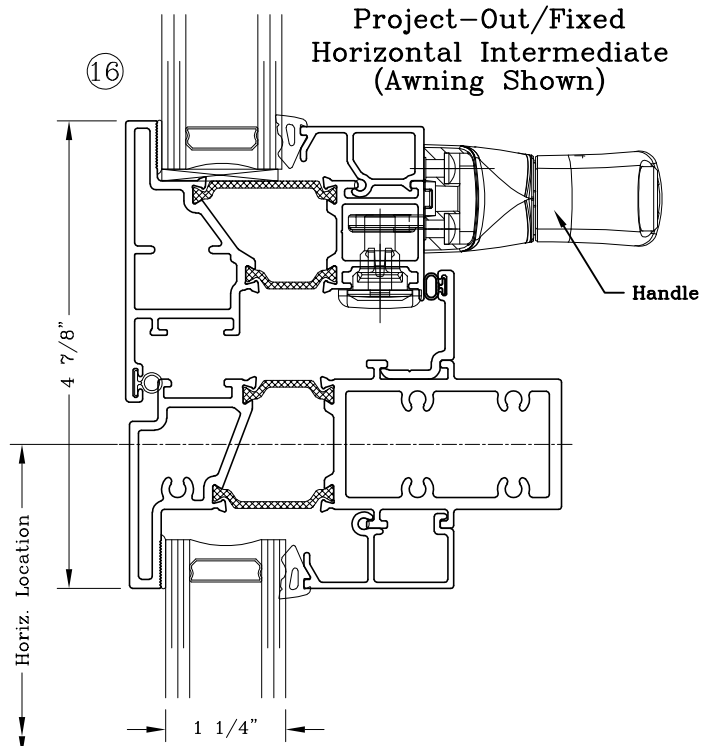
**Male/Female
Project-In Fixed/Fixed Interior Glazed**



**Fixed Interior Glazed
Horizontal Intermediate**



**Project-Out/Fixed
Horizontal Intermediate
(Awning Shown)**



Graham Architectural Products reserves the right to change, add, cancel, remove or otherwise modify the details illustrated without prior notice.

1551 Mt. Rose Avenue, York, Pennsylvania 17403-2909 800/755-6274 Fax: 800/366-5097

1120 - W45.07

Web Site: www.grahamwindows.com

4 1/2" Window Wall



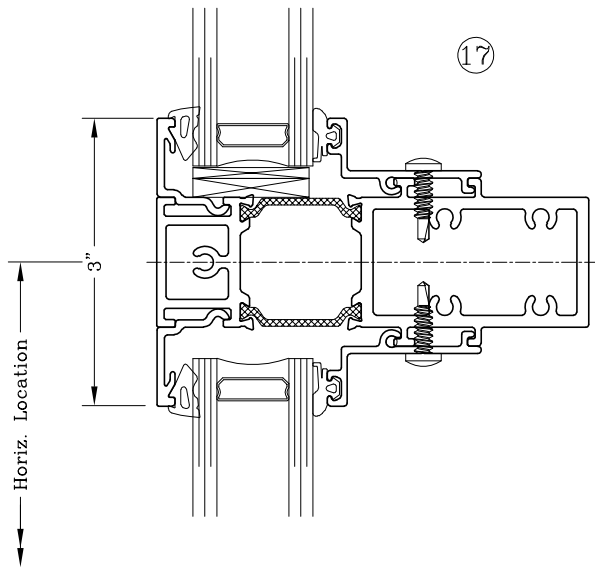
Series: W4500

Manufacturing Code: W4508

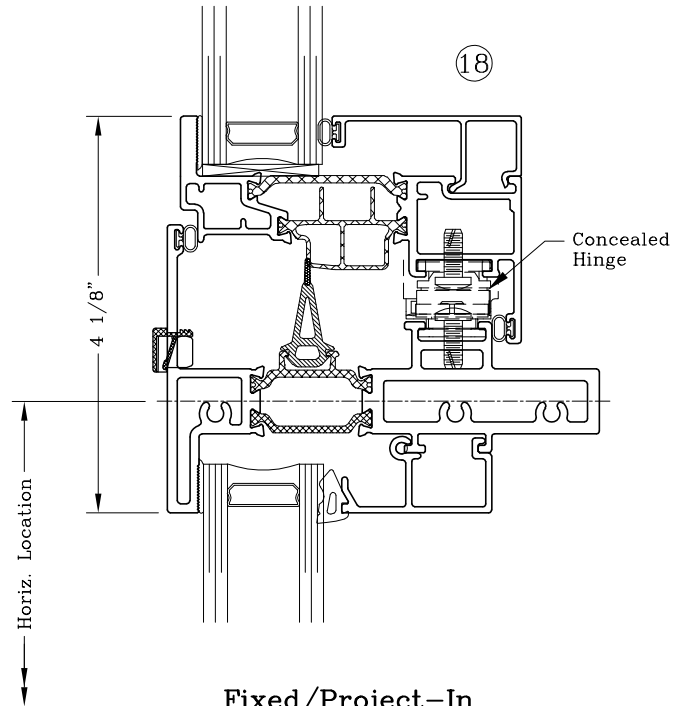
Drawing 1/2 Scale – For Custom Size Drawing Contact Graham

Note: Sealant Not Shown On Details. Refer To General Installation Instructions.

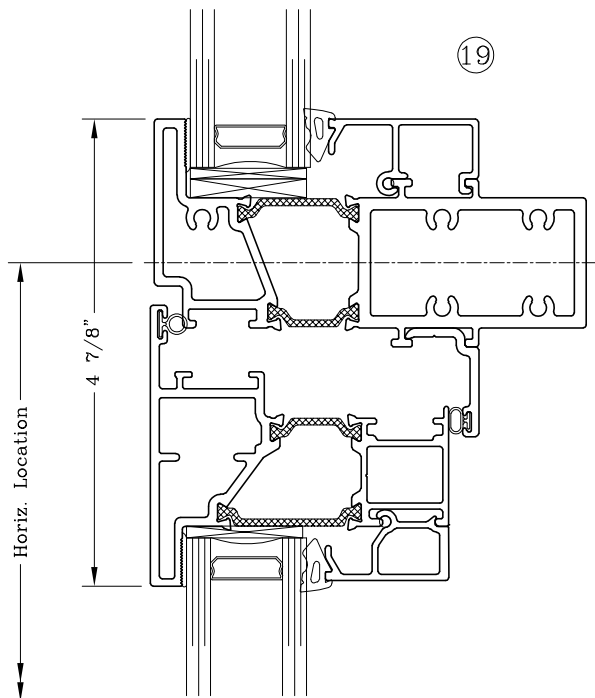
Fixed Exterior Glazed
Horizontal Intermediate



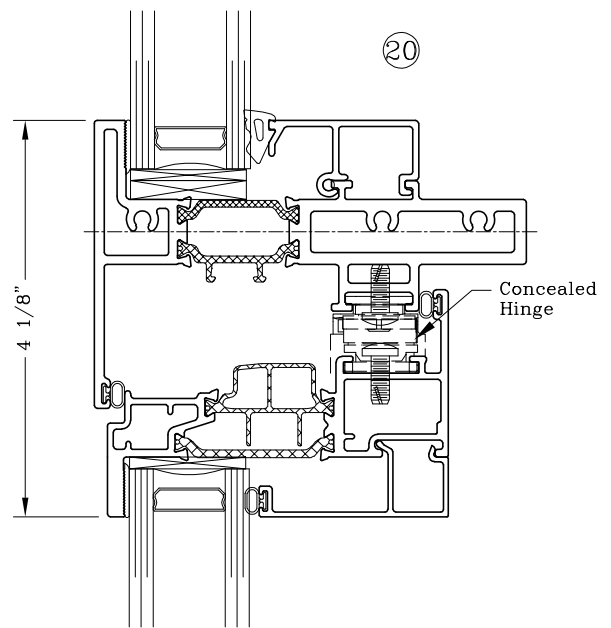
Project-In/Fixed
Horizontal Intermediate
(Casement Shown)



Fixed/Project-Out
Horizontal Intermediate
(Awning Shown)



Fixed/Project-In
Horizontal Intermediate
(Casement Shown)



Graham Architectural Products reserves the right to change, add, cancel, remove or otherwise modify the details illustrated without prior notice.

1551 Mt. Rose Avenue, York, Pennsylvania 17403-2909 800/755-6274 Fax: 800/366-5097

1120 - W45.08

Web Site: www.grahamwindows.com

4 1/2" Window Wall



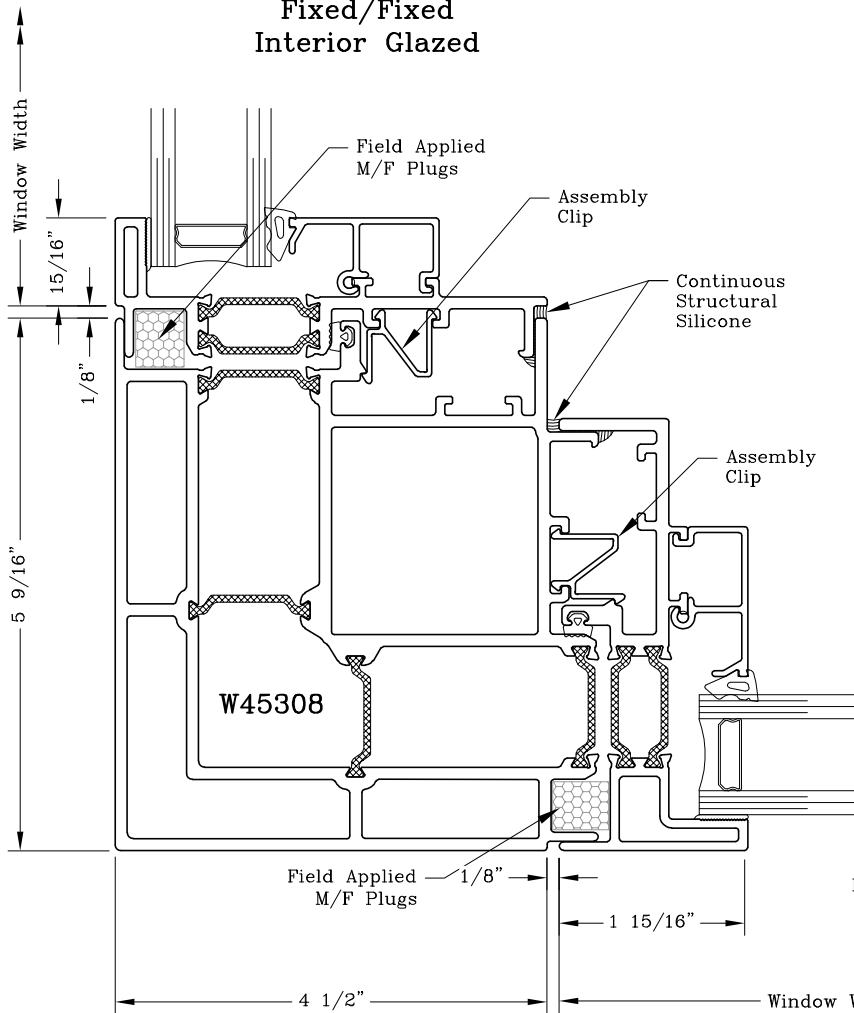
Series: W4500

Manufacturing Code: W4509

Drawing 1/2 Scale – For Custom Size Drawing Contact Graham

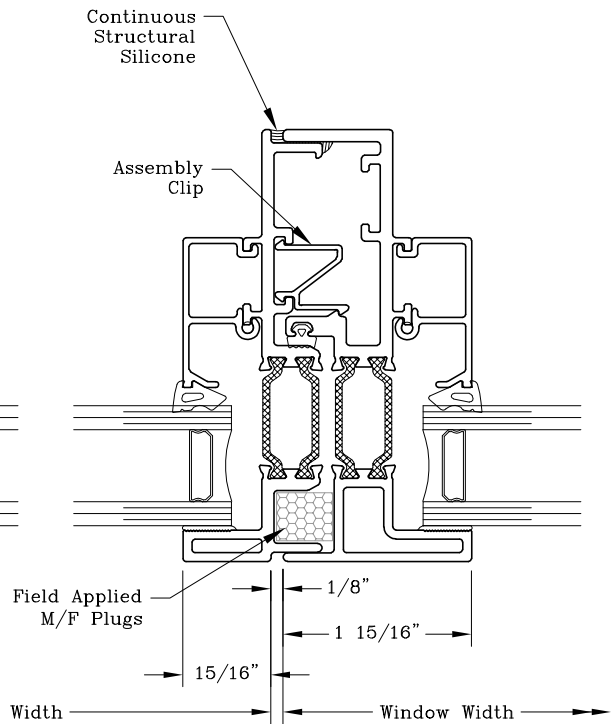
Note: Sealant Not Shown On Details. Refer To General Installation Instructions.

90° Outside Corner Mullion Fixed/Fixed Interior Glazed



(21)

Male/Female Fixed/Fixed Interior Glazed



(22)

Graham Architectural Products reserves the right to change, add, cancel, remove or otherwise modify the details illustrated without prior notice.

1551 Mt. Rose Avenue, York, Pennsylvania 17403-2909 800/755-6274 Fax: 800/366-5097

1120 - W45.09

Web Site: www.grahamwindows.com

4 1/2" Window Wall Slab Cover

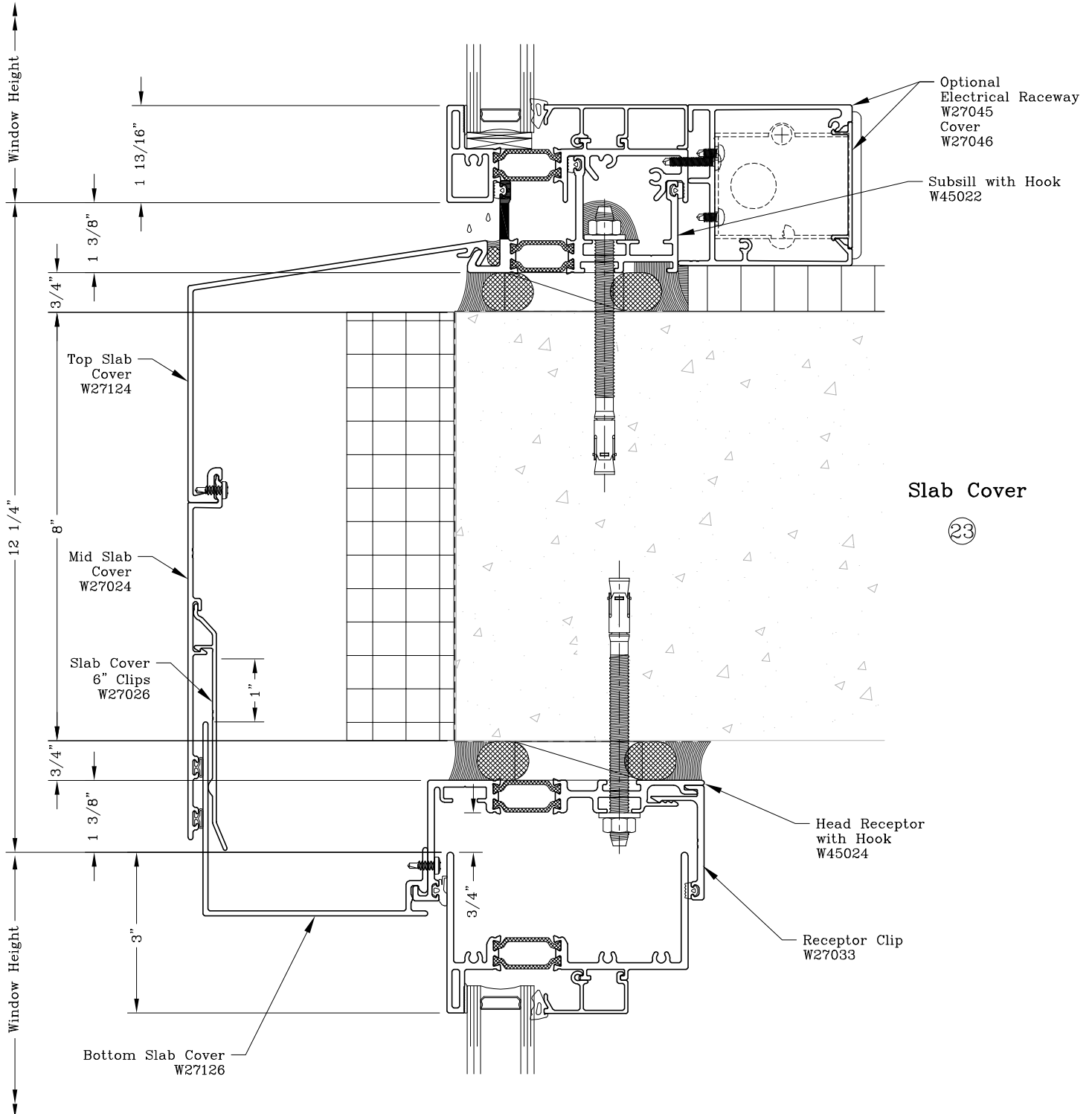


Series: W4500

Manufacturing Code: W4510

Drawing 1/2 Scale – For Custom Size Drawing Contact Graham

Note: Sealant Not Shown On Details. Refer To General Installation Instructions.



Slab Cover

23

Graham Architectural Products reserves the right to change, add, cancel, remove or otherwise modify the details illustrated without prior notice.

1551 Mt. Rose Avenue, York, Pennsylvania 17403-2909 800/755-6274 Fax: 800/366-5097

1120 - W45.10

Web Site: www.grahamwindows.com

4 1/2" Window Wall Accessories



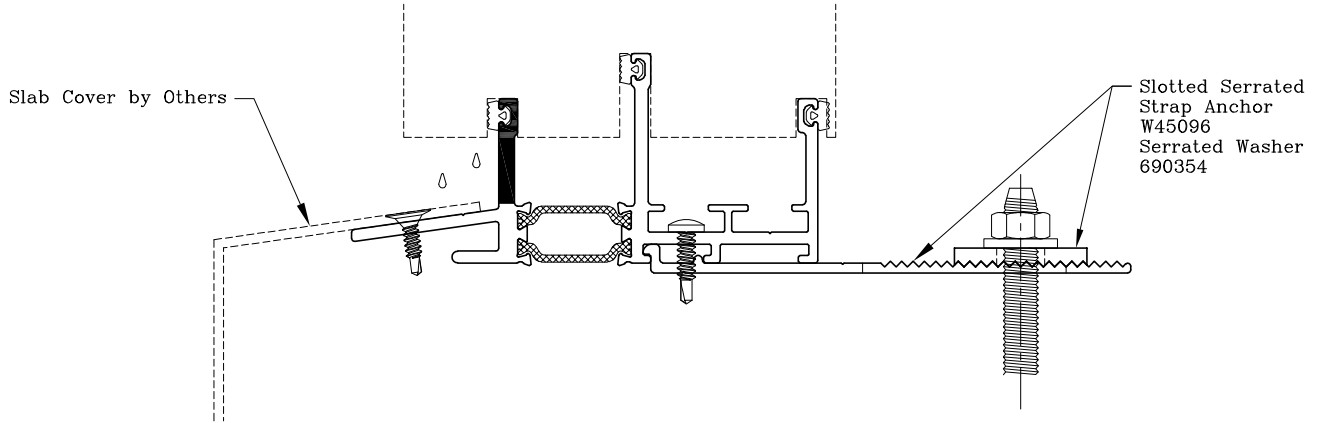
Series: W4500

Manufacturing Code: W4511

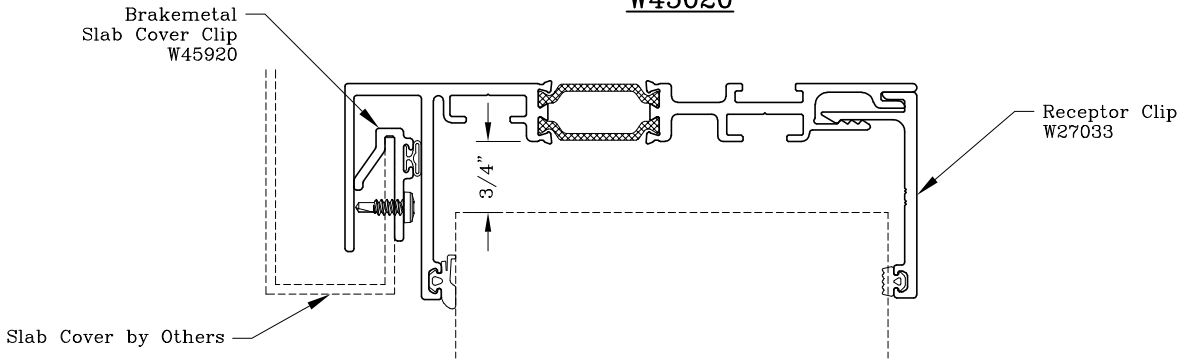
Drawing 1/2 Scale – For Custom Size Drawing Contact Graham

Note: Sealant Not Shown On Details. Refer To General Installation Instructions.

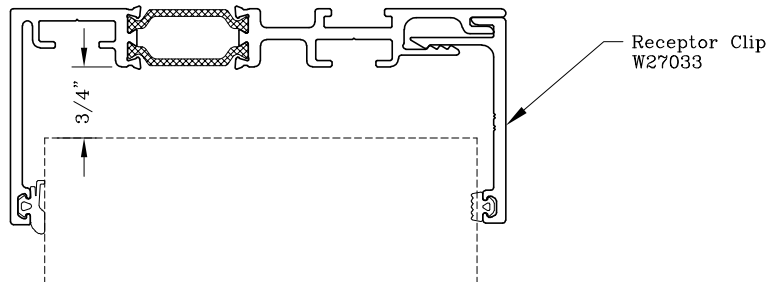
Subsill without Hook
W45023



Receptor with Hook for Brakemetal Clip
W45020



Receptor without Hook
W45021



Graham Architectural Products reserves the right to change, add, cancel, remove or otherwise modify the details illustrated without prior notice.

1551 Mt. Rose Avenue, York, Pennsylvania 17403-2909 800/755-6274 Fax: 800/366-5097

1120 - W45.11

Web Site: www.grahamwindows.com

4 1/2" Window Wall Accessories



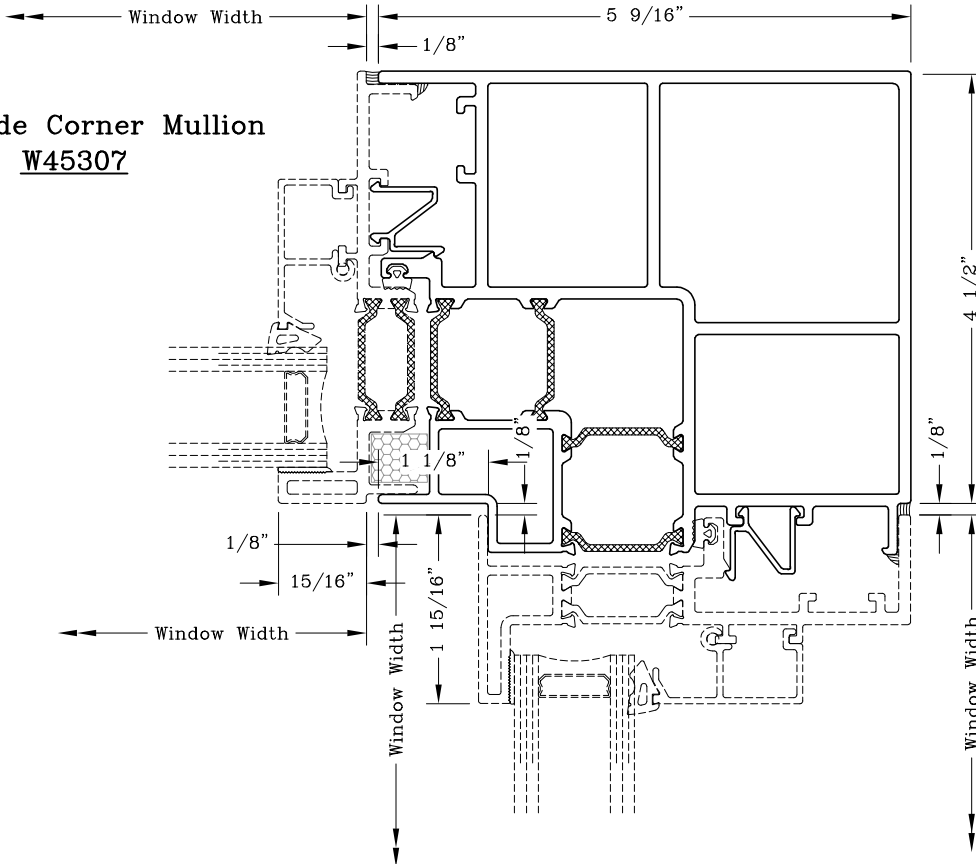
Series: W4500

Manufacturing Code: W4512

Drawing 1/2 Scale – For Custom Size Drawing Contact Graham

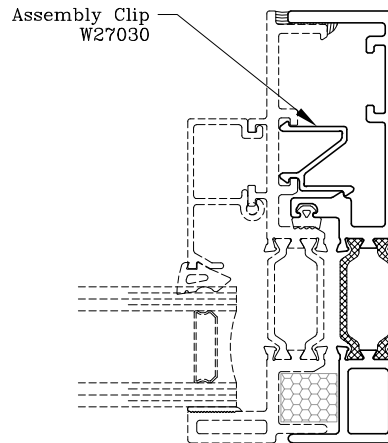
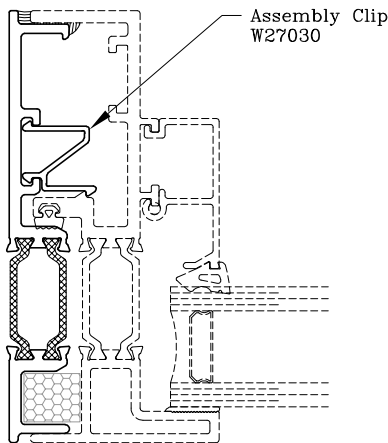
Note: Sealant Not Shown On Details. Refer To General Installation Instructions.

90° Inside Corner Mullion
W45307



Male Jamb Cap
W45045

Female Jamb Cap
W45046



Graham Architectural Products reserves the right to change, add, cancel, remove or otherwise modify the details illustrated without prior notice.

1551 Mt. Rose Avenue, York, Pennsylvania 17403-2909 800/755-6274 Fax: 800/366-5097

1120 - W45.12

Web Site: www.grahamwindows.com