

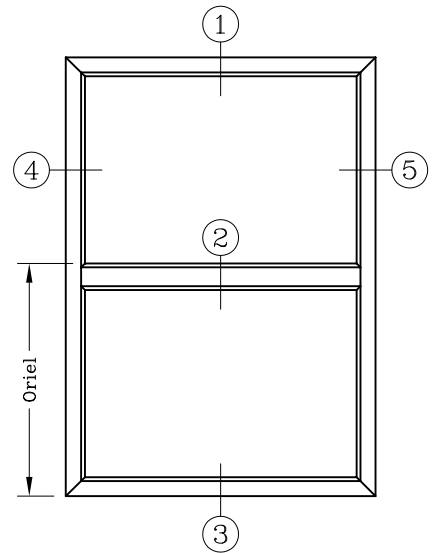
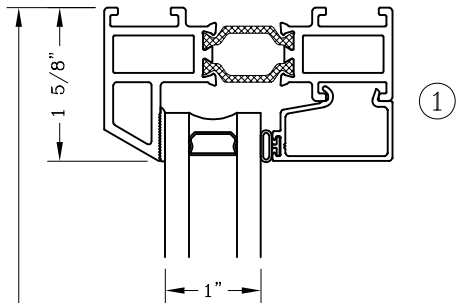
# Fixed - 3" Narrow Sightline



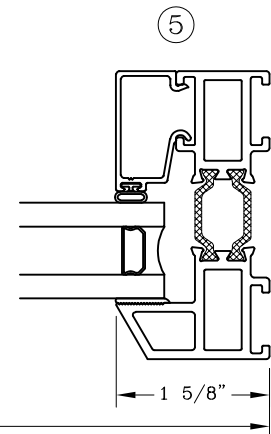
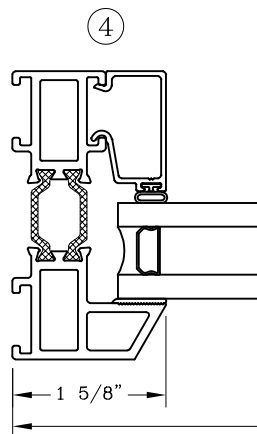
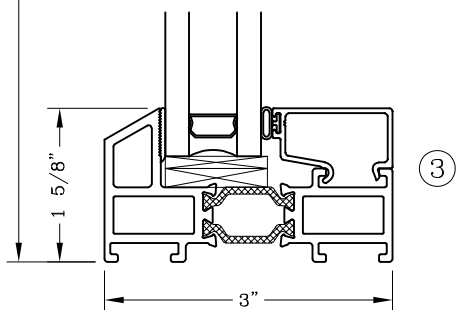
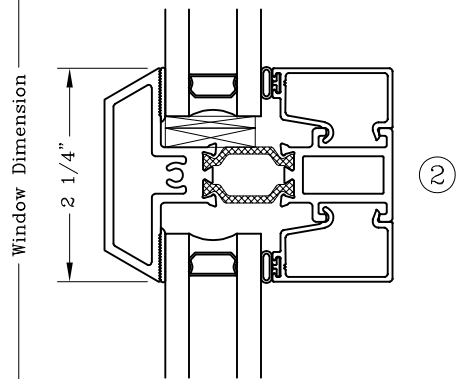
Series: GT6700 Manufacturing Code: GT6706B

Drawing 1/2 Scale - For Custom Size Drawing Contact Graham

Note: Sealant Not Shown On Details. Refer To General Installation Instructions.



ELEVATION



Window Dimension

Note: Dashed Lines Represent Inswing Vented Units Solid Lines Represent  
Outswing Vented Units; Lines Converge At Hinge Side Of Vent  
Graham Architectural Products reserves the right to change, add, cancel, remove or otherwise modify the details illustrated without prior notice.  
1551 Mt. Rose Avenue, York, Pennsylvania 17403-2909 717.849.8100 Toll Free: 800/755-6274 0223 - GT67.06B  
Web Site: [www.grahamwindows.com](http://www.grahamwindows.com)

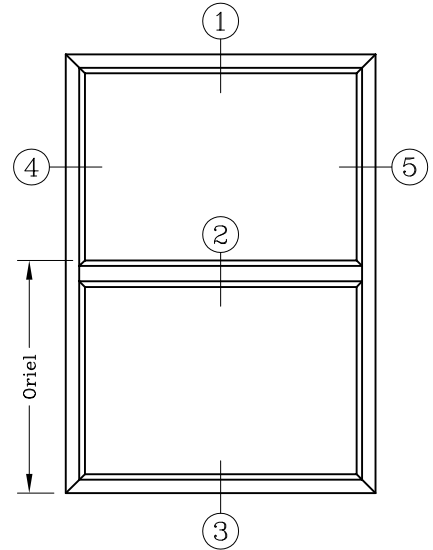
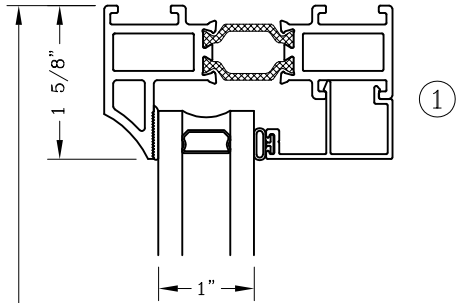
# Fixed - 3" Narrow Sightline



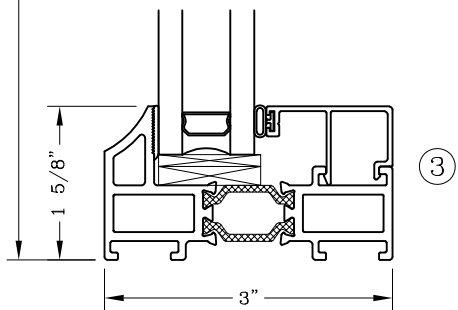
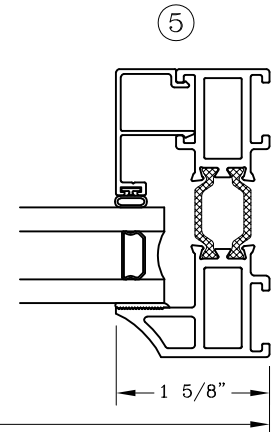
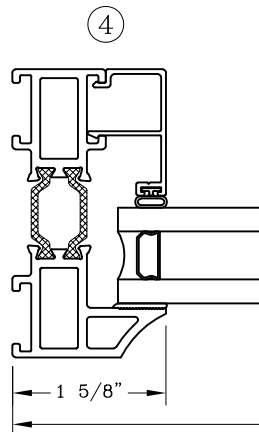
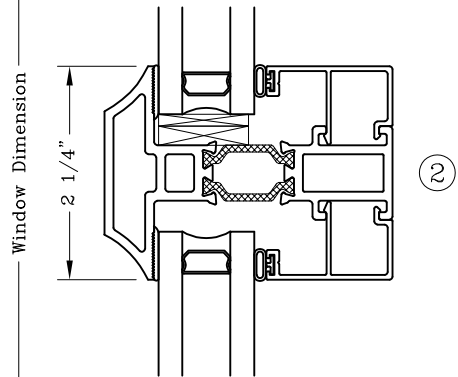
Series: GT6700 Manufacturing Code: GT6706C

Drawing 1/2 Scale - For Custom Size Drawing Contact Graham

Note: Sealant Not Shown On Details. Refer To General Installation Instructions.



ELEVATION



Window Dimension

Note: Dashed Lines Represent Inswing Vented Units Solid Lines Represent  
Outswing Vented Units; Lines Converge At Hinge Side Of Vent  
Graham Architectural Products reserves the right to change, add, cancel, remove or otherwise modify the details illustrated without prior notice.  
1551 Mt. Rose Avenue, York, Pennsylvania 17403-2909 717.849.8100 Toll Free: 800/755-6274 0223 - GT67.06C  
Web Site: [www.grahamwindows.com](http://www.grahamwindows.com)

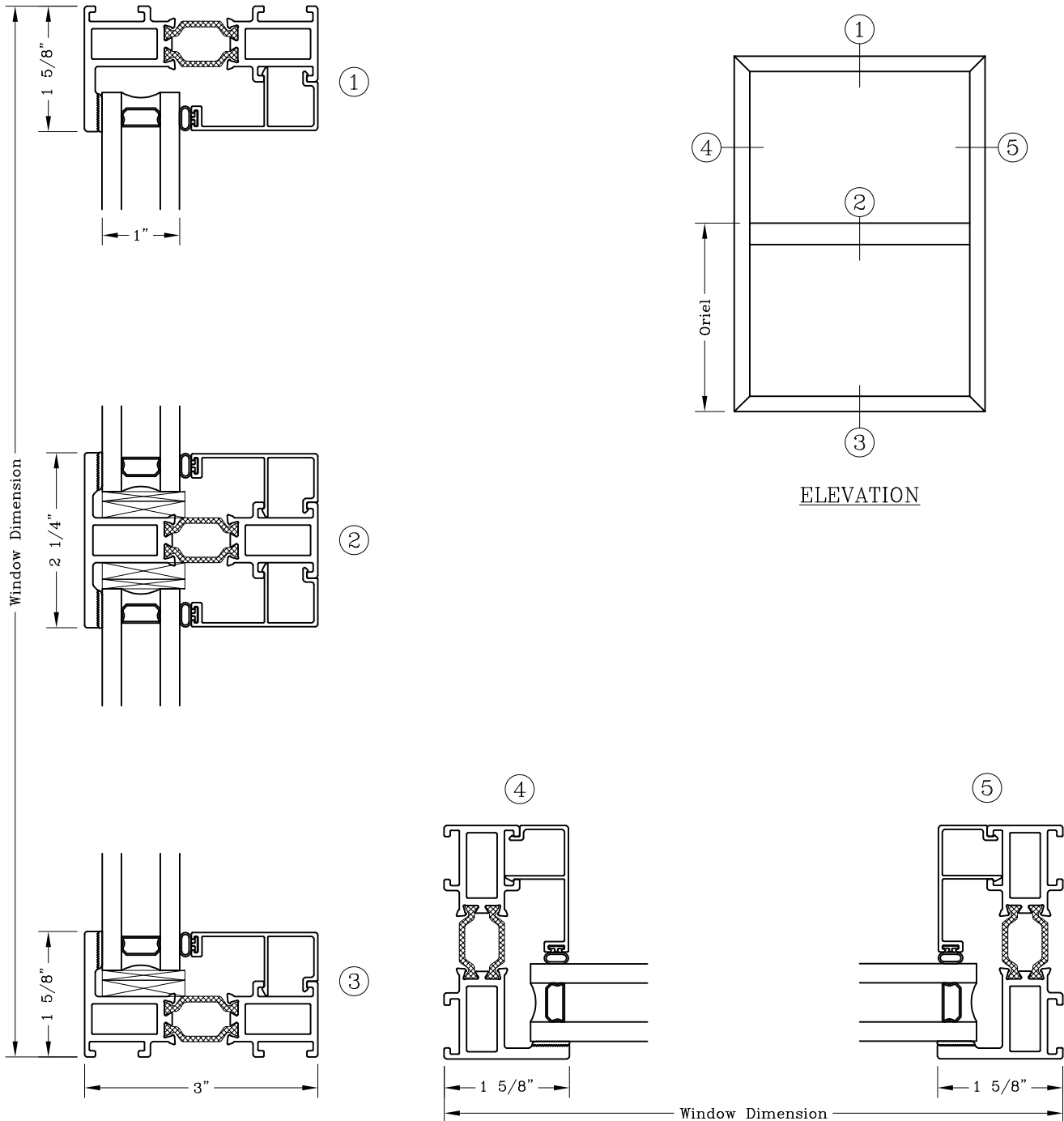
# Fixed - 3" Narrow Sightline



Series: GT6700 Manufacturing Code: GT6706F

Drawing 1/2 Scale - For Custom Size Drawing Contact Graham

Note: Sealant Not Shown On Details. Refer To General Installation Instructions.



Note: Dashed Lines Represent Inswing Vented Units Solid Lines Represent  
Outswing Vented Units; Lines Converge At Hinge Side Of Vent  
Graham Architectural Products reserves the right to change, add, cancel, remove or otherwise modify the details illustrated without prior notice.  
1551 Mt. Rose Avenue, York, Pennsylvania 17403-2909 717.849.8100 Toll Free: 800/755-6274 0223 - GT67.06F  
Web Site: [www.grahamwindows.com](http://www.grahamwindows.com)

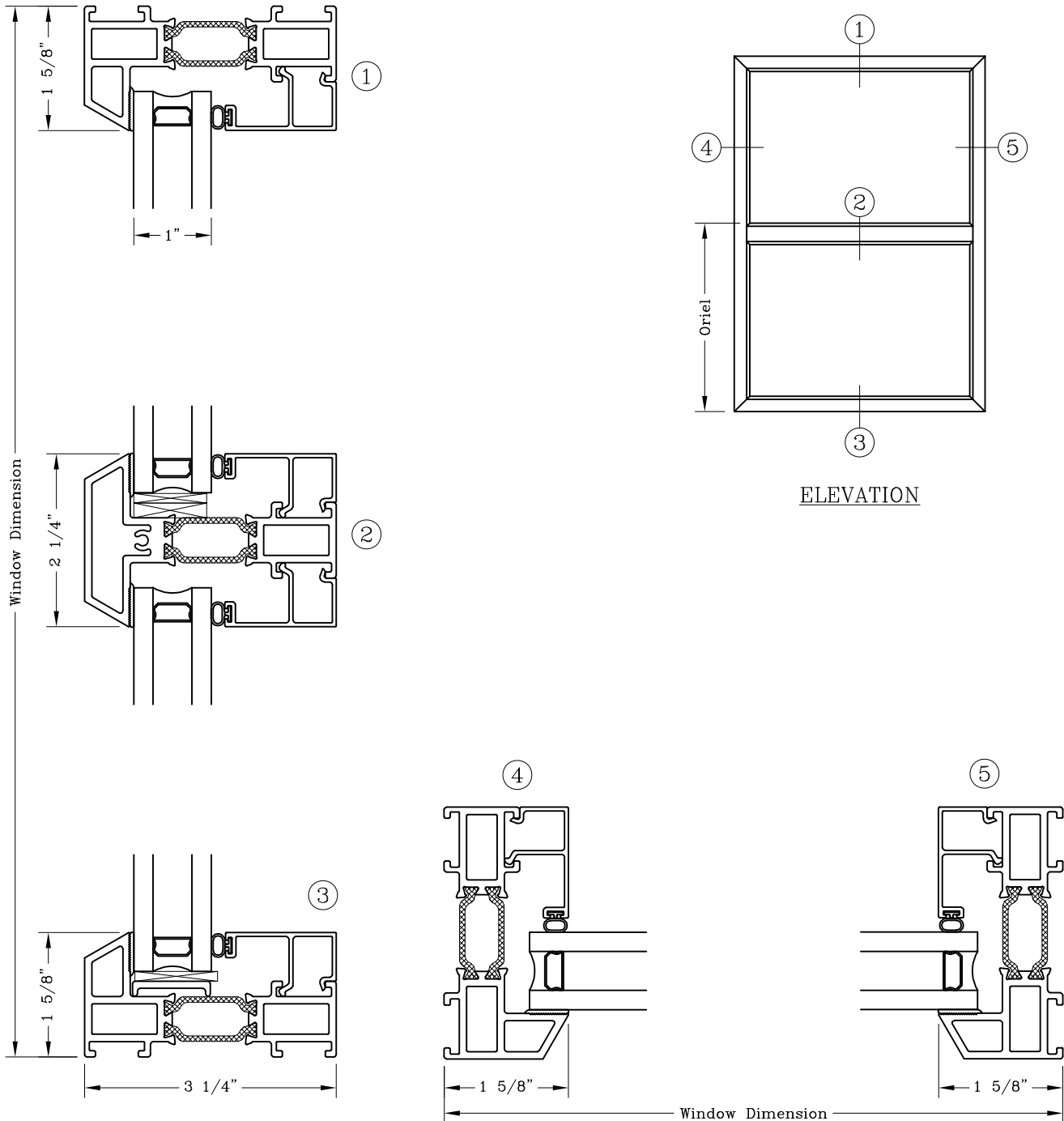
# Fixed - 3 1/4" Narrow Sightline - Flush Face



Series: GT6700FF Manufacturing Code: GT6706FFB

Drawing 1/2 Scale - For Custom Size Drawing Contact Graham

Note: Sealant Not Shown On Details. Refer To General Installation Instructions.



Note: Dashed Lines Represent Inswing Vented Units Solid Lines Represent  
Outswing Vented Units; Lines Converge At Hinge Side Of Vent  
Graham Architectural Products reserves the right to change, add, cancel, remove or otherwise modify the details illustrated without prior notice.  
1551 Mt. Rose Avenue, York, Pennsylvania 17403-2909 717.849.8100 Toll Free: 800/755-6274 0223 - GT67.06FFB  
Web Site: www.grahamwindows.com

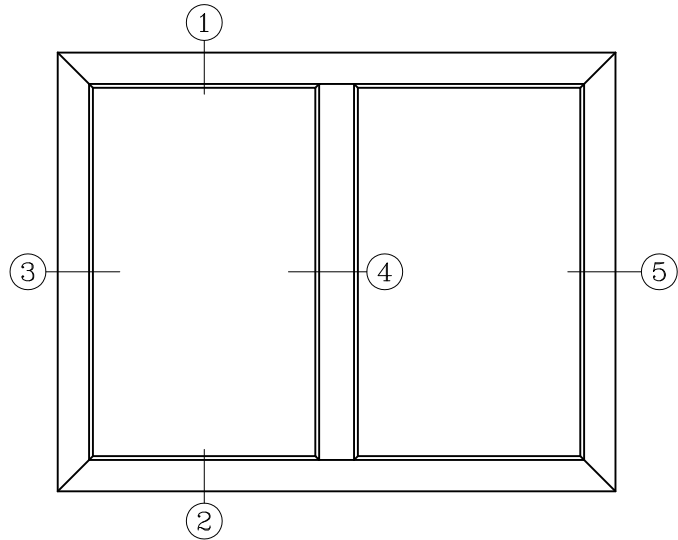
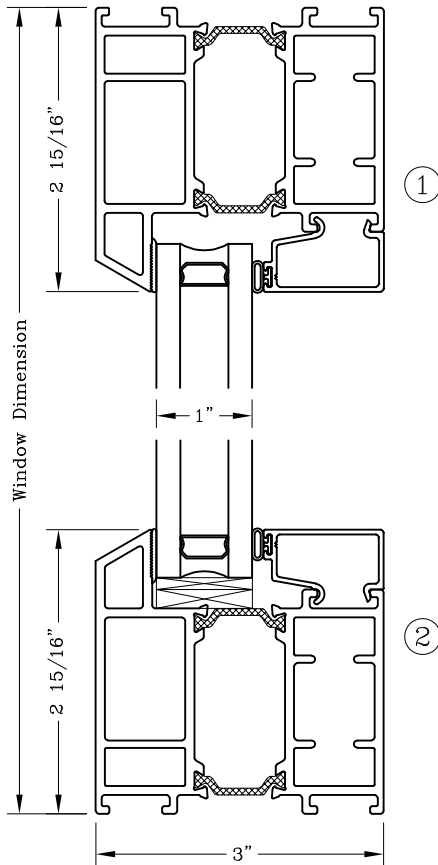
# Fixed - 3" Equal Sightline



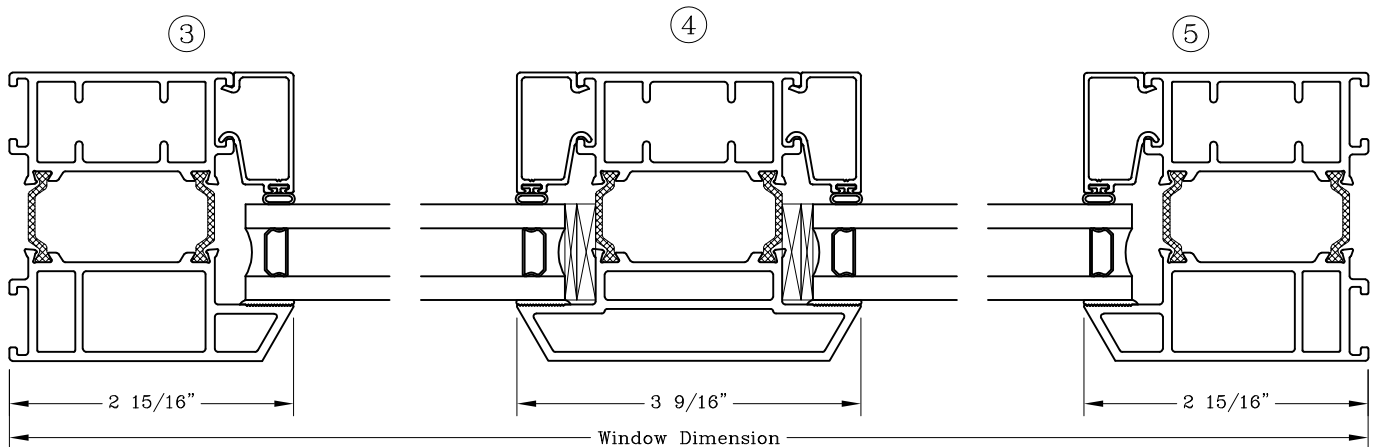
Series: GT6700      Manufacturing Code: GT6707B

Drawing 1/2 Scale - For Custom Size Drawing Contact Graham

Note: Sealant Not Shown On Details. Refer To General Installation Instructions.



ELEVATION



Note: Dashed Lines Represent Inswing Vented Units Solid Lines Represent  
Outswing Vented Units; Lines Converge At Hinge Side Of Vent

Graham Architectural Products reserves the right to change, add, cancel, remove or otherwise modify the details illustrated without prior notice.

1551 Mt. Rose Avenue, York, Pennsylvania 17403-2909 717.849.8100 Toll Free: 800/755-6274

0223 - GT67.07B

Web Site: [www.grahamwindows.com](http://www.grahamwindows.com)

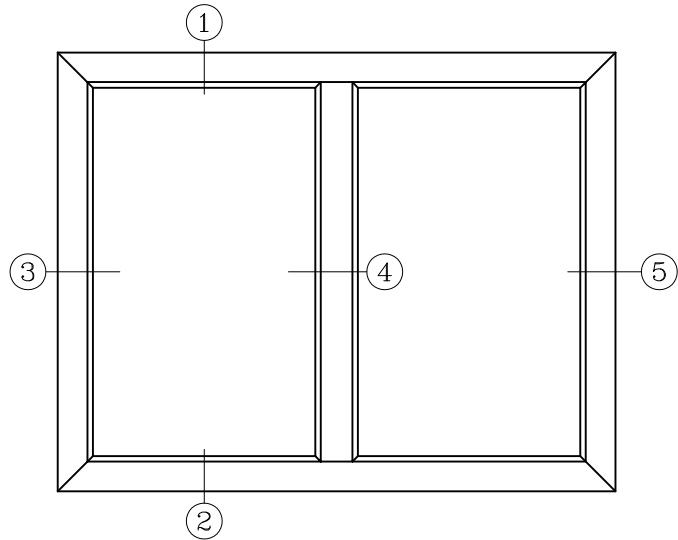
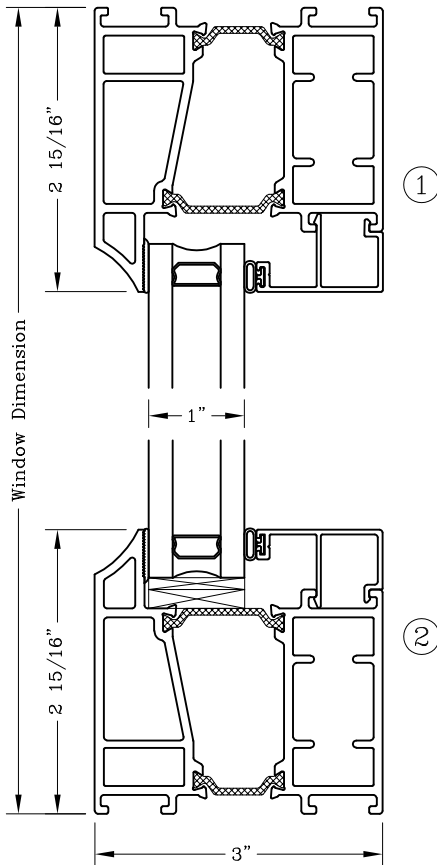
# Fixed - 3" Equal Sightline



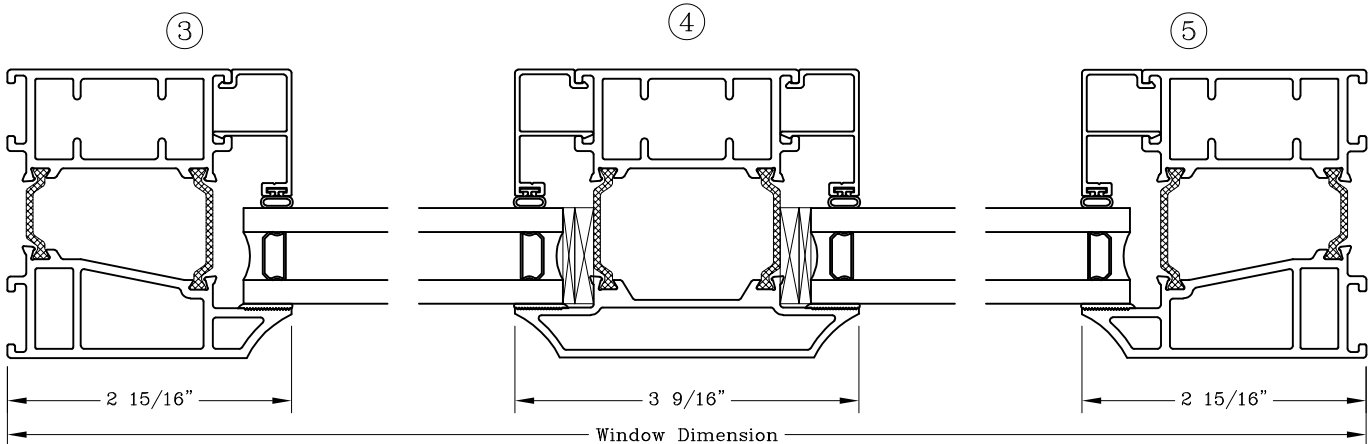
Series: GT6700 Manufacturing Code: GT6707C

Drawing 1/2 Scale - For Custom Size Drawing Contact Graham

Note: Sealant Not Shown On Details. Refer To General Installation Instructions.



ELEVATION



Note: Dashed Lines Represent Inswing Vented Units Solid Lines Represent Outswing Vented Units; Lines Converge At Hinge Side Of Vent

Graham Architectural Products reserves the right to change, add, cancel, remove or otherwise modify the details illustrated without prior notice.

1551 Mt. Rose Avenue, York, Pennsylvania 17403-2909 717.849.8100 Toll Free: 800/755-6274

0223 - GT67.07C

Web Site: [www.grahamwindows.com](http://www.grahamwindows.com)

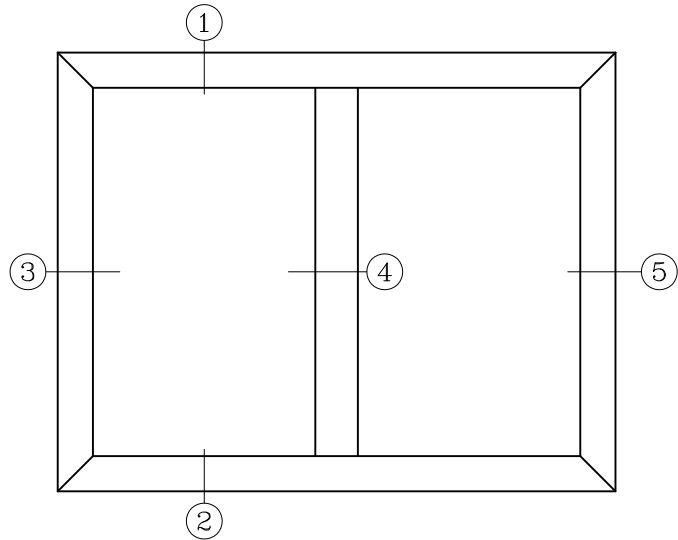
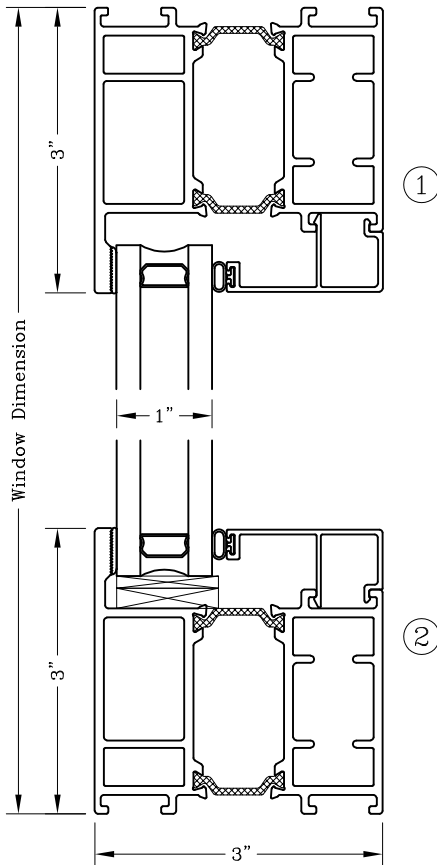
# Fixed - 3" Equal Sightline



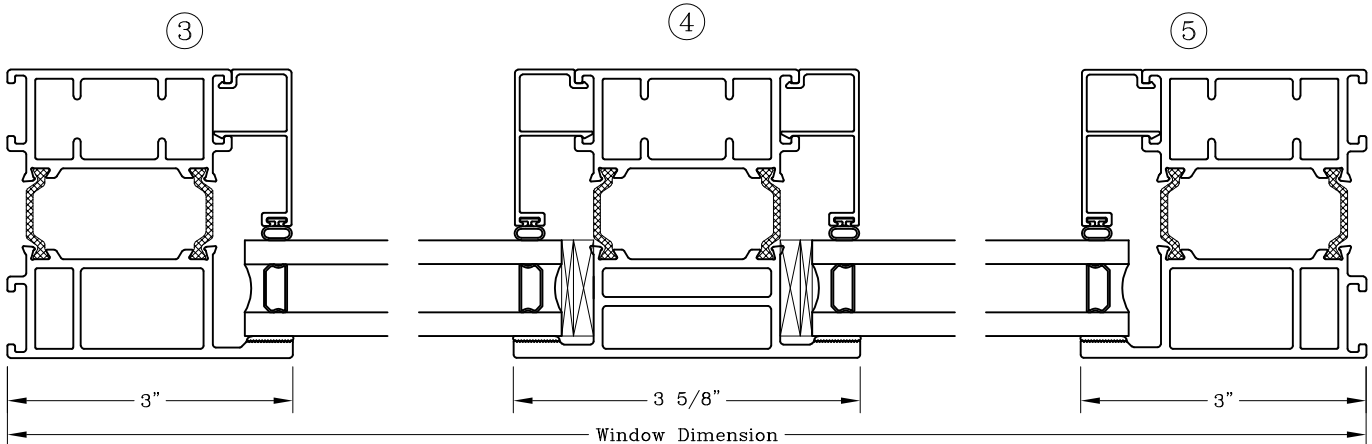
Series: GT6700 Manufacturing Code: GT6707F

Drawing 1/2 Scale - For Custom Size Drawing Contact Graham

Note: Sealant Not Shown On Details. Refer To General Installation Instructions.



ELEVATION



Note: Dashed Lines Represent Inswing Vented Units Solid Lines Represent  
Outswing Vented Units; Lines Converge At Hinge Side Of Vent

Graham Architectural Products reserves the right to change, add, cancel, remove or otherwise modify the details illustrated without prior notice.

1551 Mt. Rose Avenue, York, Pennsylvania 17403-2909 717.849.8100 Toll Free: 800/755-6274

0223 - GT67.07F

Web Site: [www.grahamwindows.com](http://www.grahamwindows.com)

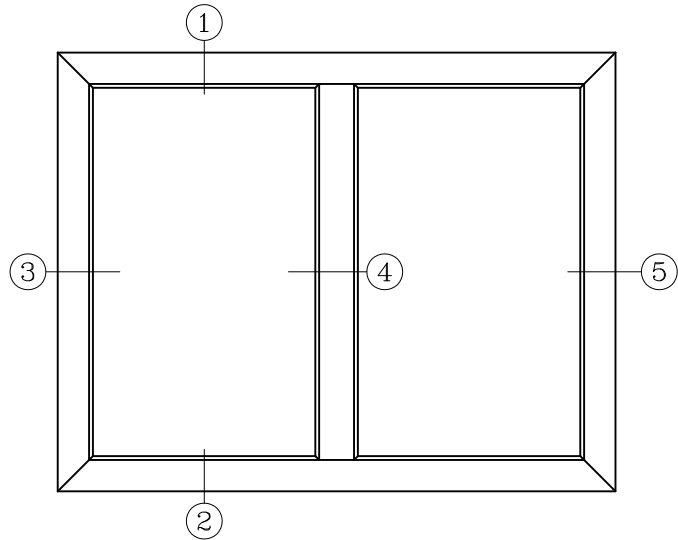
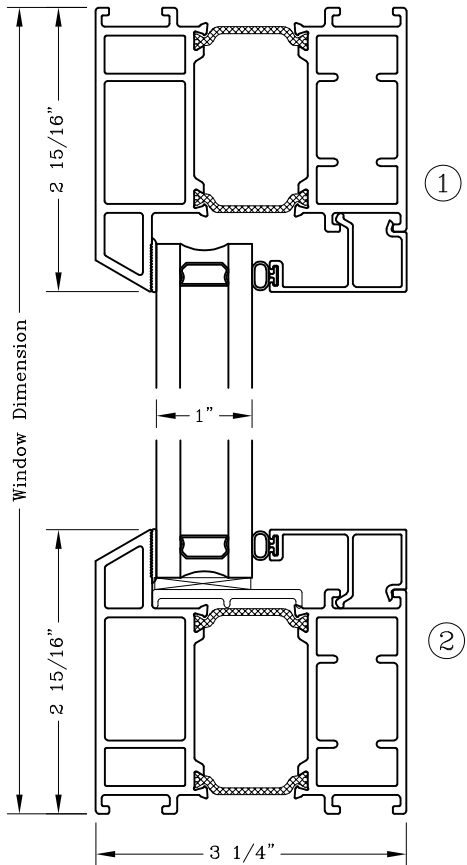
Fixed - 3 1/4"  
 Equal Sightline - Flush Face



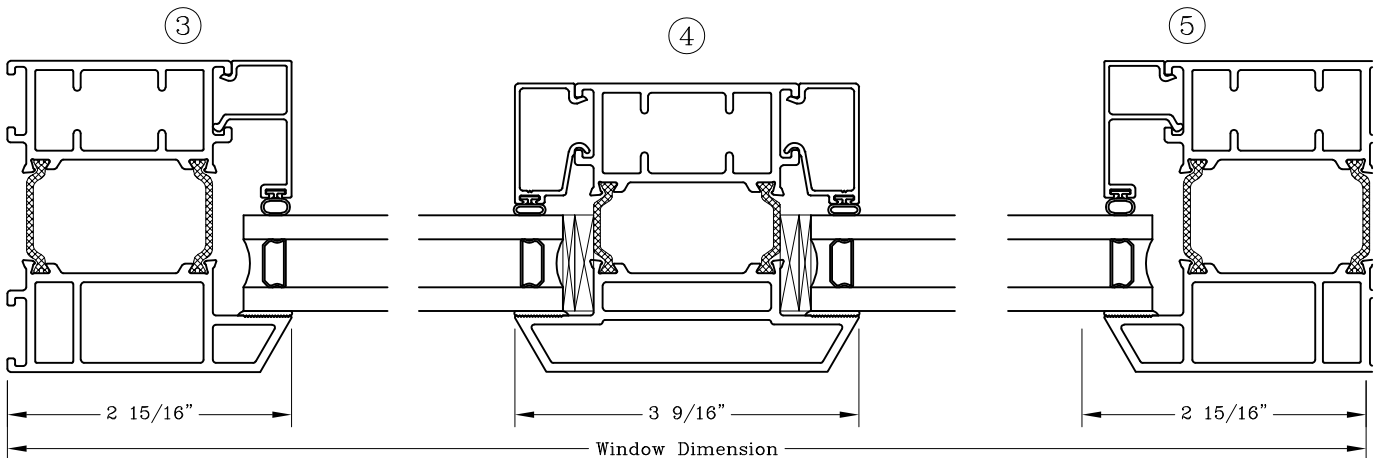
Series: GT6700FF Manufacturing Code: GT6707FFB

Drawing 1/2 Scale - For Custom Size Drawing Contact Graham

Note: Sealant Not Shown On Details. Refer To General Installation Instructions.



ELEVATION



Note: Dashed Lines Represent Inswing Vented Units Solid Lines Represent  
 Outswing Vented Units; Lines Converge At Hinge Side Of Vent

Graham Architectural Products reserves the right to change, add, cancel, remove or otherwise modify the details illustrated without prior notice.

1551 Mt. Rose Avenue, York, Pennsylvania 17403-2909 717.849.8100 Toll Free: 800/755-6274

0223 - GT67.07FFB

Web Site: www.grahamwindows.com



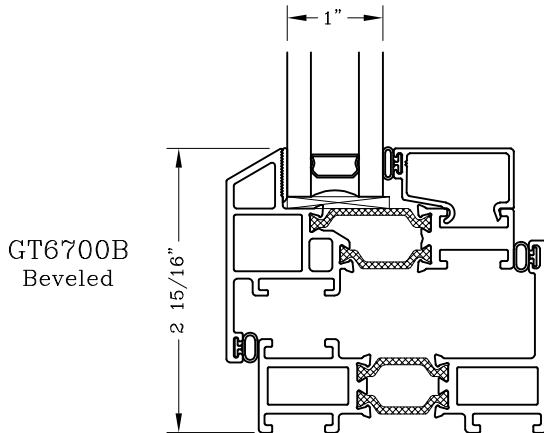
# Profile And Frame Options 3" Frame



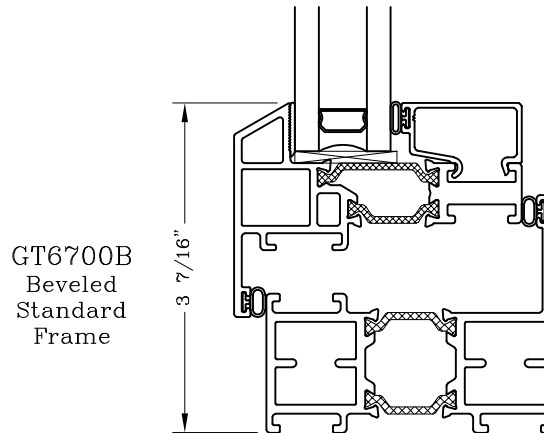
Series: GT6700 Manufacturing Code: GT6713B

Drawing 1/2 Scale – For Custom Size Drawing Contact Graham

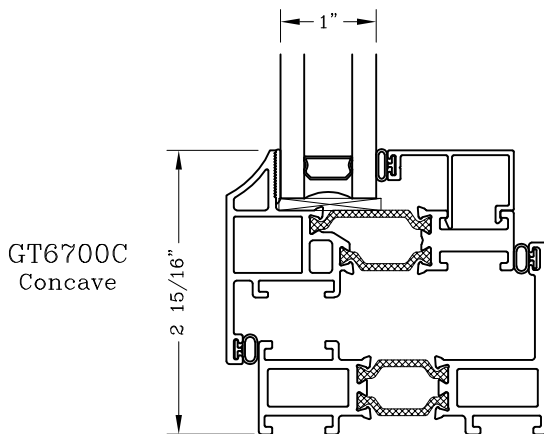
Note: Sealant Not Shown On Details. Refer To General Installation Instructions.



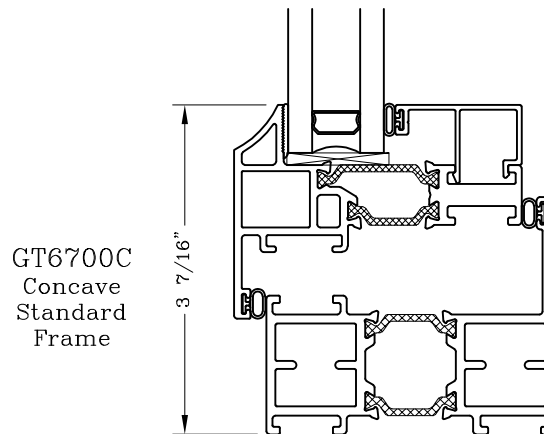
GT6700B  
Beveled



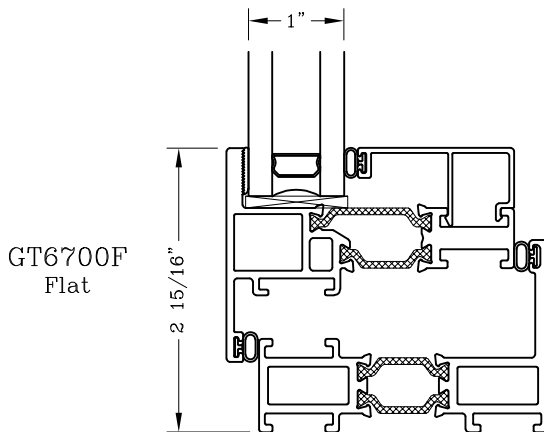
GT6700B  
Beveled  
Standard  
Frame



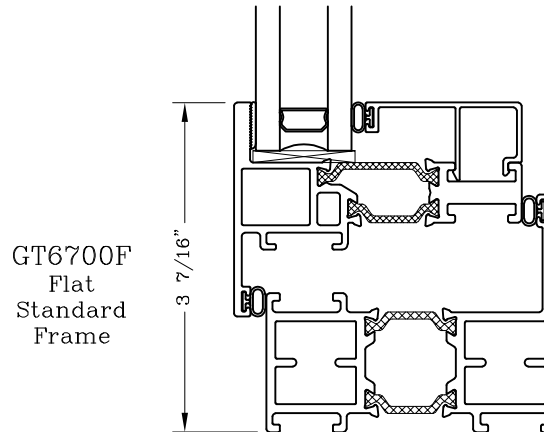
GT6700C  
Concave



GT6700C  
Concave  
Standard  
Frame



GT6700F  
Flat



GT6700F  
Flat  
Standard  
Frame

Note: Dashed Lines Represent Inswing Vented Units Solid Lines Represent  
Outswing Vented Units; Lines Converge At Hinge Side Of Vent

Graham Architectural Products reserves the right to change, add, cancel, remove or otherwise modify the details illustrated without prior notice.

1551 Mt. Rose Avenue, York, Pennsylvania 17403-2909 717.849.8100 Toll Free: 800/755-6274

0223 – GT67.13B

Web Site: [www.grahamwindows.com](http://www.grahamwindows.com)

# Exterior Profile Options

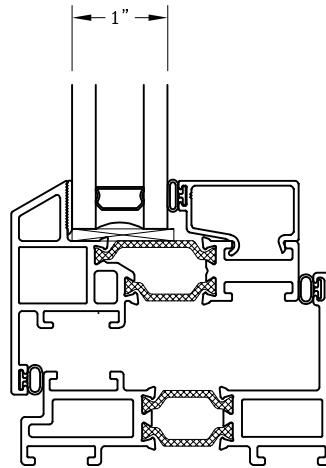
3 1/4"

Flush Face

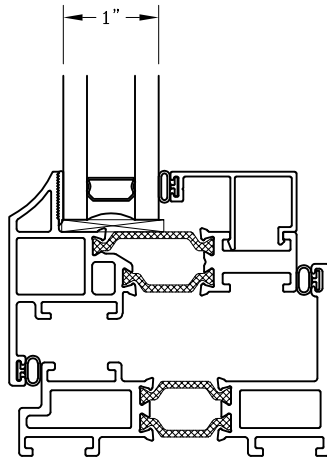
Series: GT6700FF Manufacturing Code: GT6713FFB

Drawing 1/2 Scale - For Custom Size Drawing Contact Graham

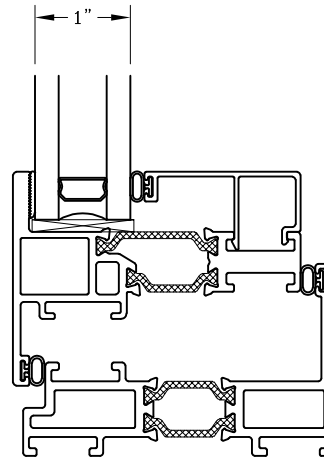
Note: Sealant Not Shown On Details. Refer To General Installation Instructions.



GT6700FFB  
Beveled



GT6700FFC  
Concave



GT6700FFF  
Flat

Note: Dashed Lines Represent Inswing Vented Units Solid Lines Represent  
Outswing Vented Units; Lines Converge At Hinge Side Of Vent

Graham Architectural Products reserves the right to change, add, cancel, remove or otherwise modify the details illustrated without prior notice.

1551 Mt. Rose Avenue, York, Pennsylvania 17403-2909 717.849.8100 Toll Free: 800/755-6274

0223 - GT67.13FFB

Web Site: [www.grahamwindows.com](http://www.grahamwindows.com)