

Horizontal Slider – 4” 1” IG Historical Glazing

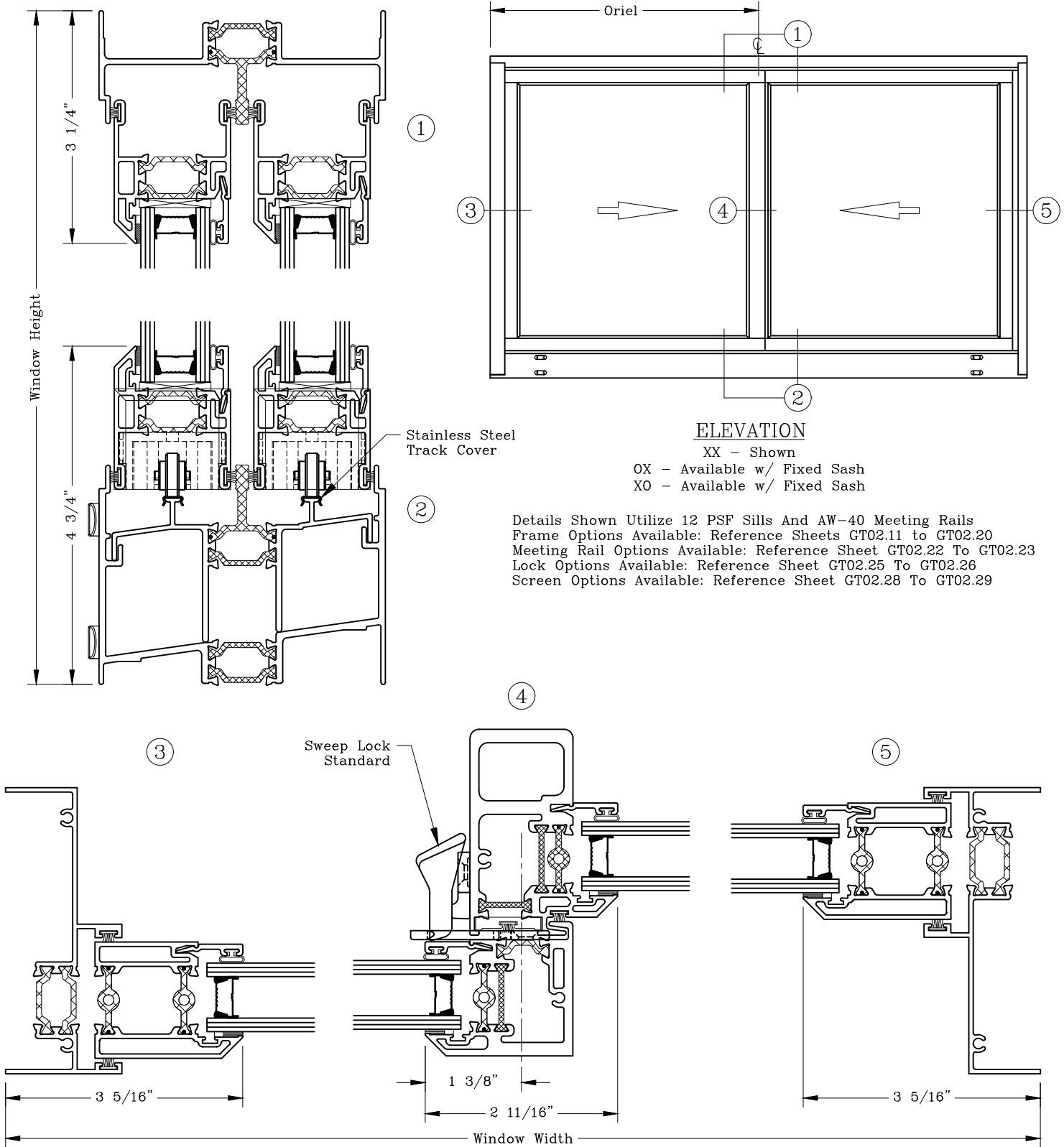


Series: GT0200

Manufacturing Code: GT0201

Drawing 1/2 Scale – For Custom Size Drawing Contact Graham

Note: Sealant Not Shown On Details. Refer To General Installation Instructions.



ELEVATION

XX - Shown

OX - Available w/ Fixed Sash

XO - Available w/ Fixed Sash

Details Shown Utilize 12 PSF Sills And AW-40 Meeting Rails
 Frame Options Available: Reference Sheets GT02.11 To GT02.20
 Meeting Rail Options Available: Reference Sheet GT02.22 To GT02.23
 Lock Options Available: Reference Sheet GT02.25 To GT02.26
 Screen Options Available: Reference Sheet GT02.28 To GT02.29

Graham Architectural Products reserves the right to change, add, cancel, remove or otherwise modify the details illustrated without prior notice.

1551 Mt. Rose Avenue, York, Pennsylvania 17403-2909 717.849.8100 Toll Free: 800/755-6274

0324 - GT02.01

Web Site: www.grahamwindows.com

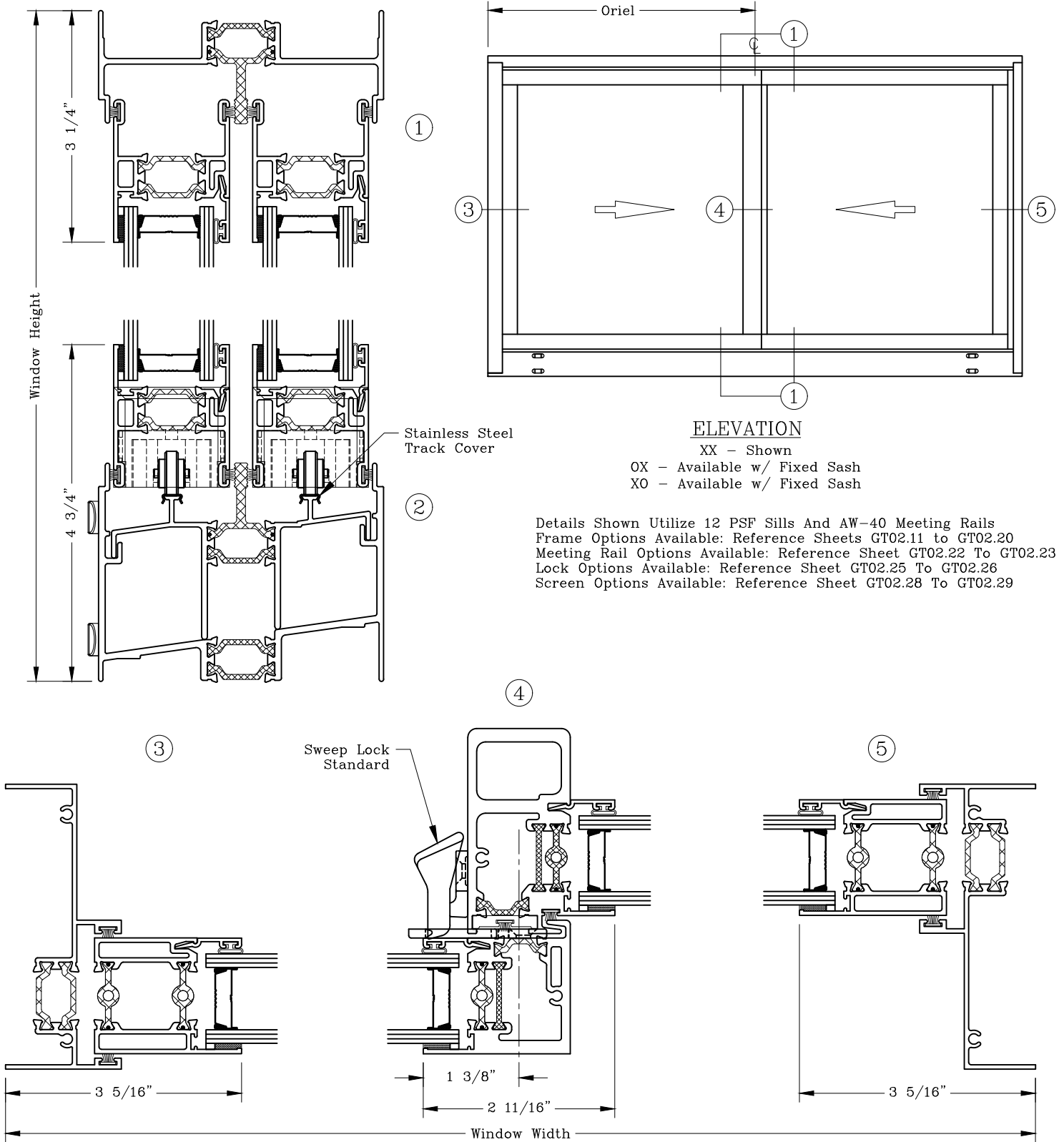
Horizontal Slider – 4” 1 1/4” IG Non-Historic Glazing



Series: GT0200 Manufacturing Code: GT0202

Drawing 1/2 Scale – For Custom Size Drawing Contact Graham

Note: Sealant Not Shown On Details. Refer To General Installation Instructions.



Graham Architectural Products reserves the right to change, add, cancel, remove or otherwise modify the details illustrated without prior notice.

1551 Mt. Rose Avenue, York, Pennsylvania 17403-2909 717.849.8100 Toll Free: 800/755-6274

0324 - GT02.02

Web Site: www.grahamwindows.com

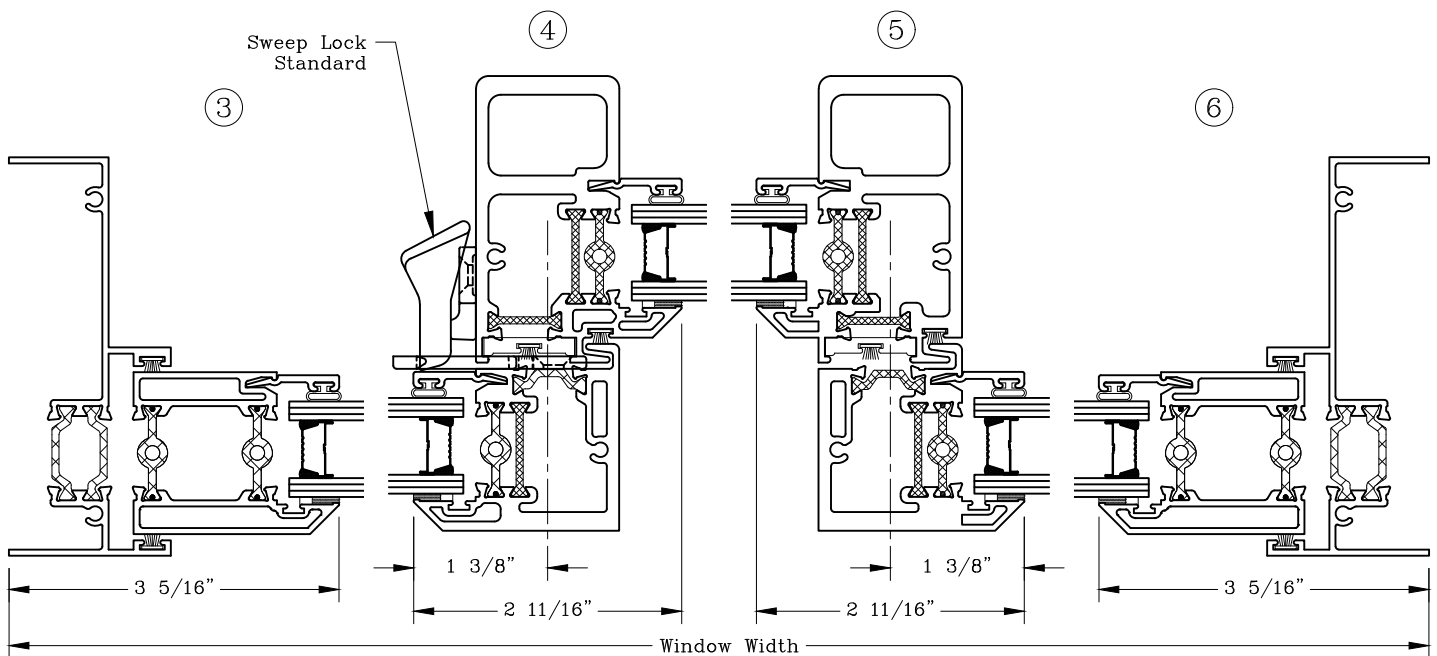
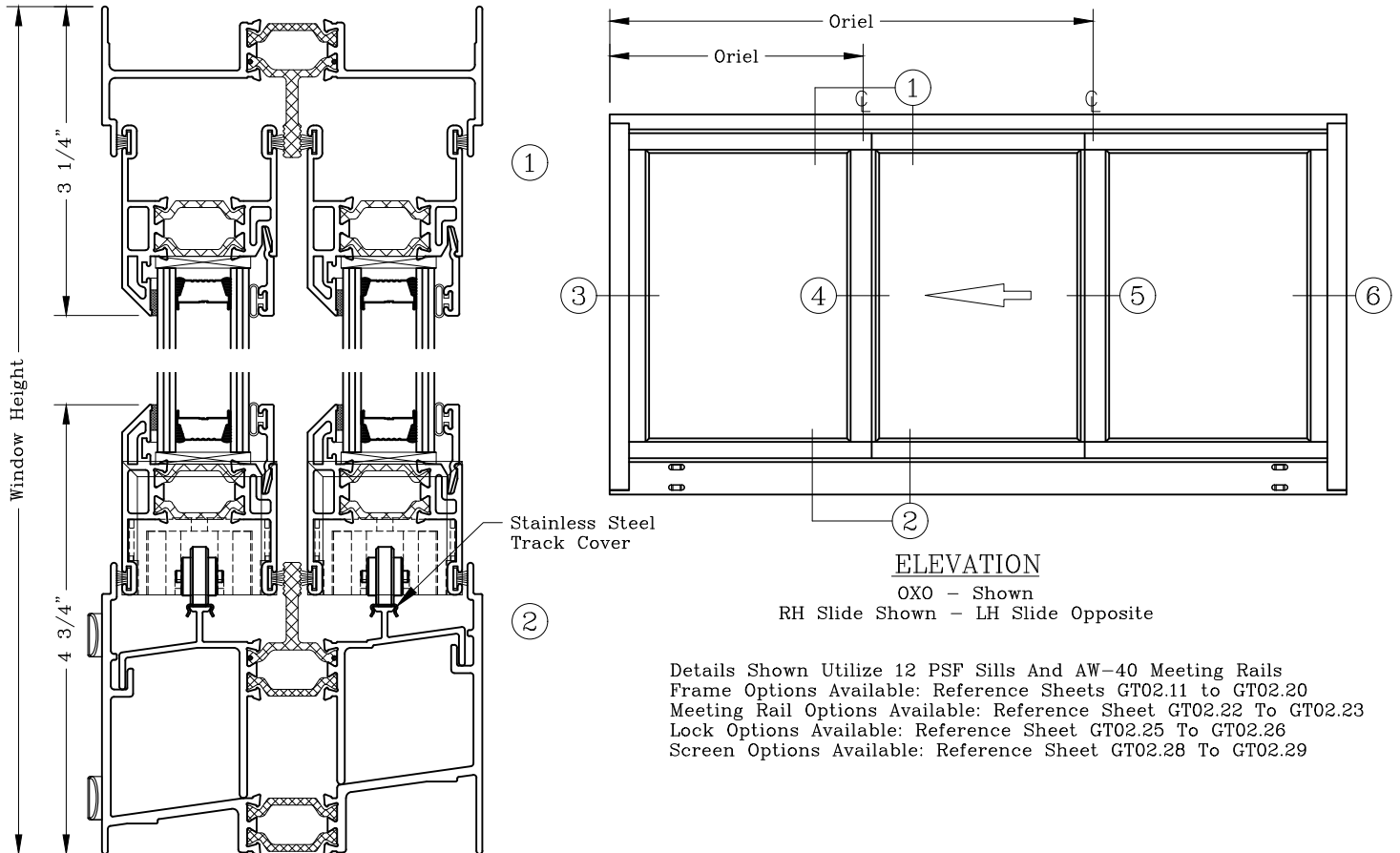
Horizontal Slider – 4” 1” IG Historical Glazing



Series: GT0200 Manufacturing Code: GT0203

Drawing 1/2 Scale – For Custom Size Drawing Contact Graham

Note: Sealant Not Shown On Details. Refer To General Installation Instructions.



Graham Architectural Products reserves the right to change, add, cancel, remove or otherwise modify the details illustrated without prior notice.

1551 Mt. Rose Avenue, York, Pennsylvania 17403-2909 717.849.8100 Toll Free: 800/755-6274

0324 – GT02.03

Web Site: www.grahamwindows.com

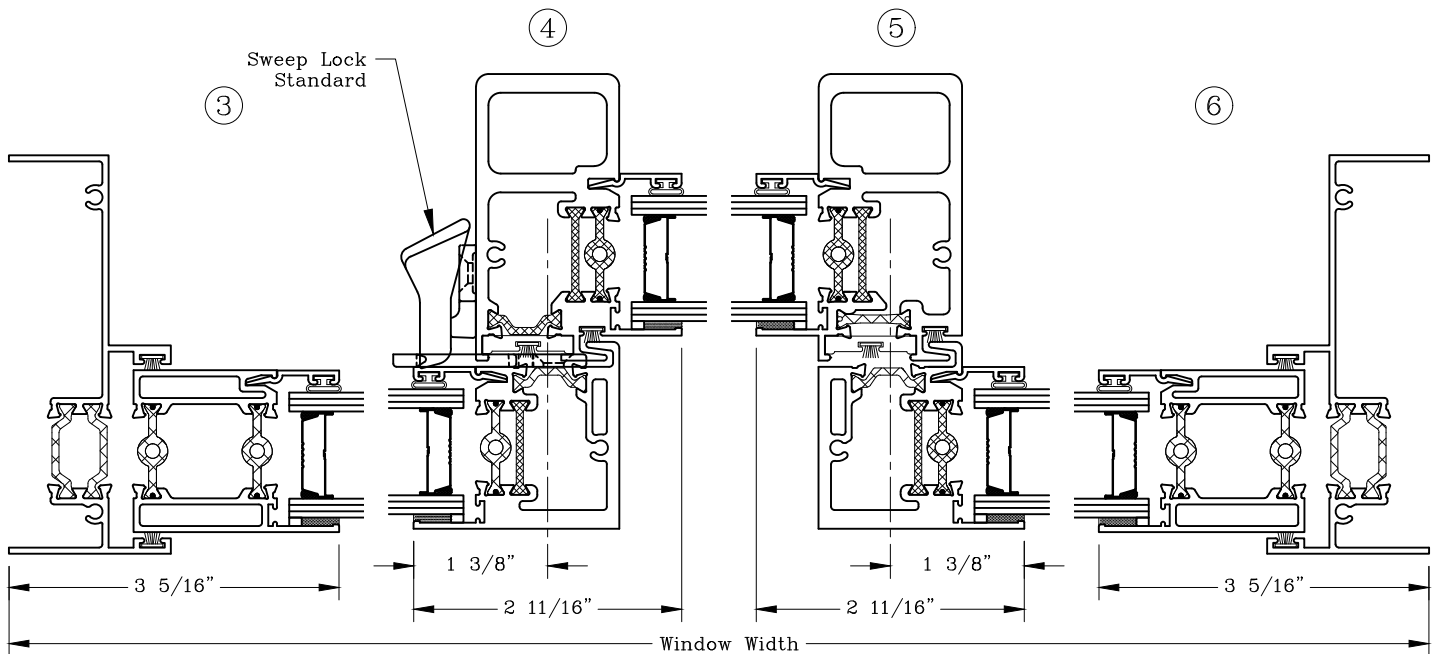
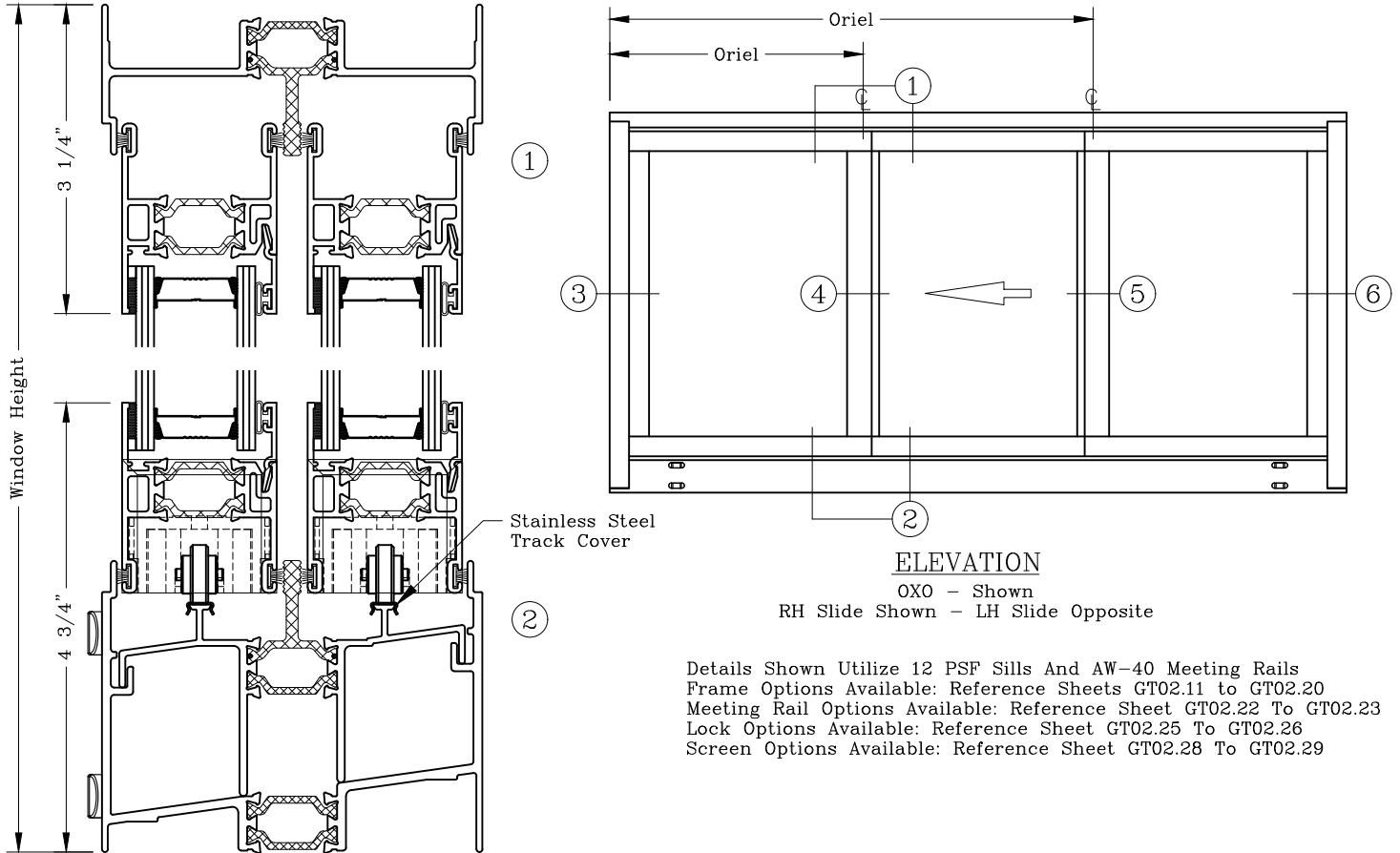
Horizontal Slider – 4” 1 1/4” IG Non-Historic Glazing



Series: GT0200 Manufacturing Code: GT0204

Drawing 1/2 Scale – For Custom Size Drawing Contact Graham

Note: Sealant Not Shown On Details. Refer To General Installation Instructions.



Graham Architectural Products reserves the right to change, add, cancel, remove or otherwise modify the details illustrated without prior notice.

1551 Mt. Rose Avenue, York, Pennsylvania 17403-2909 717.849.8100 Toll Free: 800/755-6274

0324 – GT02.04

Web Site: www.grahamwindows.com

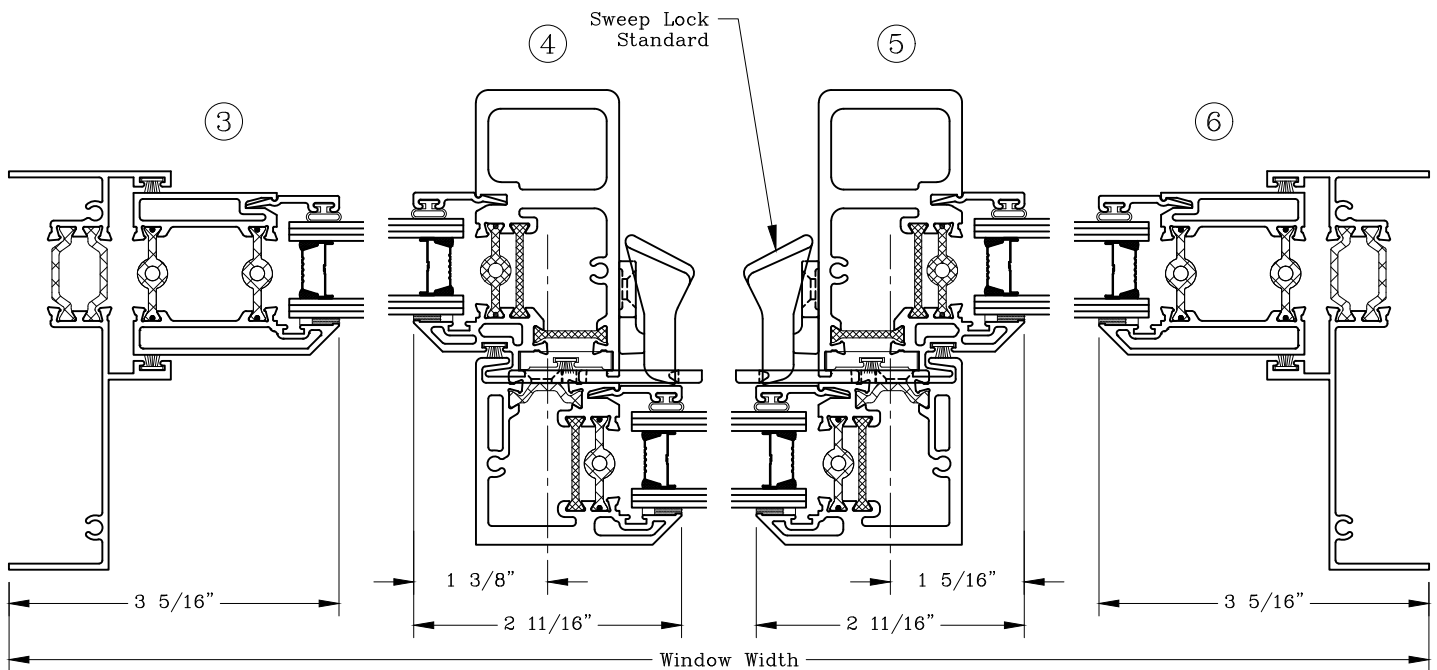
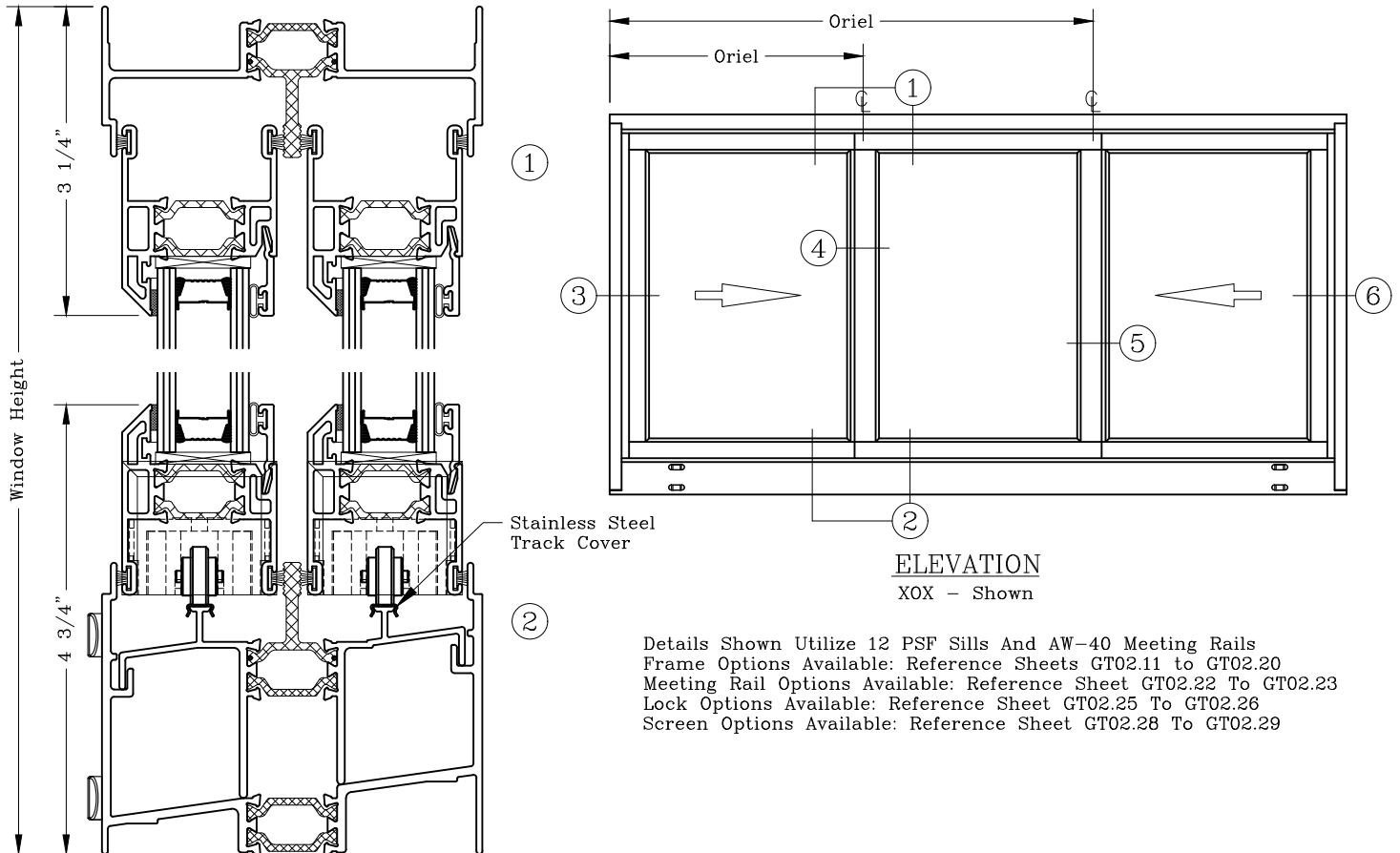
Horizontal Slider – 4” 1” IG Historical Glazing



Series: GT0200 Manufacturing Code: GT0205

Drawing 1/2 Scale – For Custom Size Drawing Contact Graham

Note: Sealant Not Shown On Details. Refer To General Installation Instructions.



Graham Architectural Products reserves the right to change, add, cancel, remove or otherwise modify the details illustrated without prior notice.

1551 Mt. Rose Avenue, York, Pennsylvania 17403-2909 717.849.8100 Toll Free: 800/755-6274

0324 – GT02.05

Web Site: www.grahamwindows.com

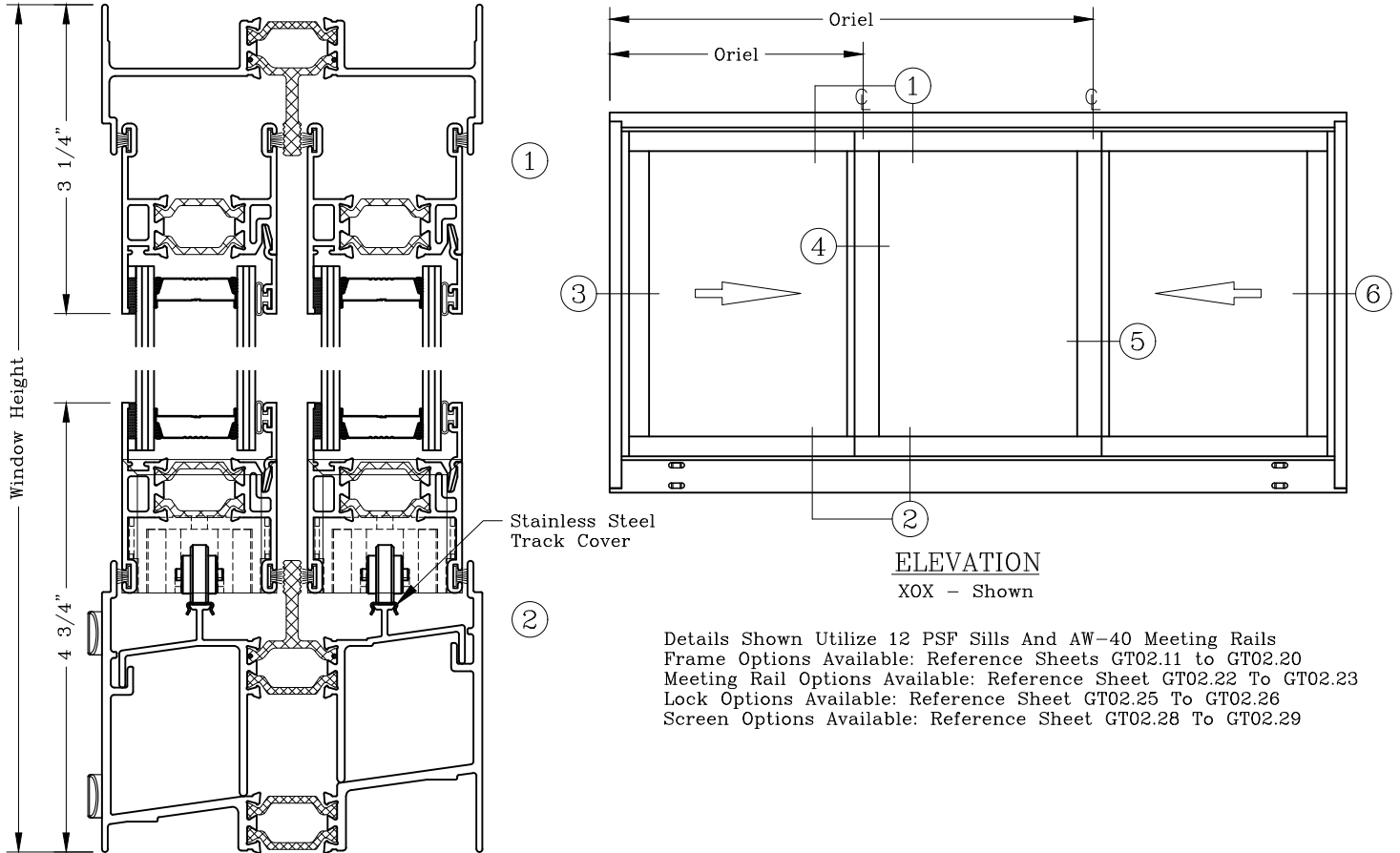
Horizontal Slider – 4” 1 1/4” IG Non-Historic Glazing



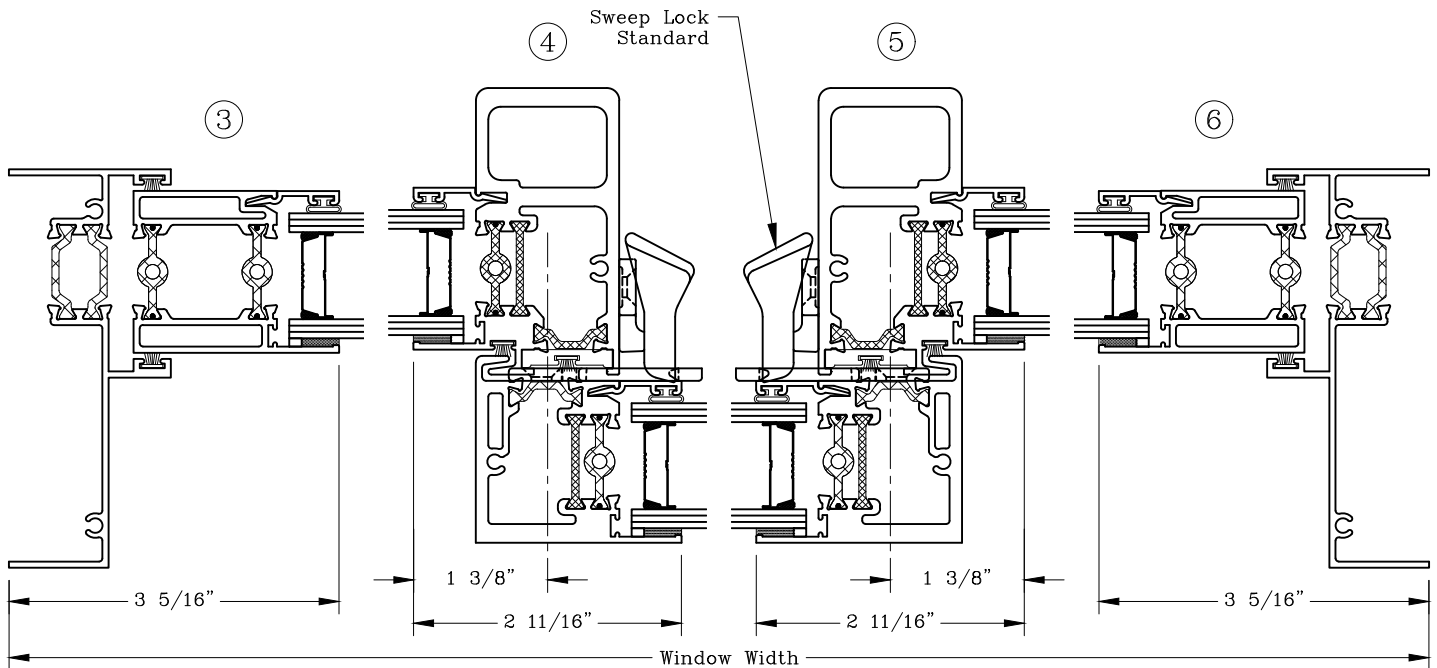
Series: GT0200 Manufacturing Code: GT0206

Drawing 1/2 Scale – For Custom Size Drawing Contact Graham

Note: Sealant Not Shown On Details. Refer To General Installation Instructions.



Details Shown Utilize 12 PSF Sills And AW-40 Meeting Rails
 Frame Options Available: Reference Sheets GT02.11 to GT02.20
 Meeting Rail Options Available: Reference Sheet GT02.22 To GT02.23
 Lock Options Available: Reference Sheet GT02.25 To GT02.26
 Screen Options Available: Reference Sheet GT02.28 To GT02.29



Graham Architectural Products reserves the right to change, add, cancel, remove or otherwise modify the details illustrated without prior notice.

1551 Mt. Rose Avenue, York, Pennsylvania 17403-2909 717.849.8100 Toll Free: 800/755-6274

0324 – GT02.06

Web Site: www.grahamwindows.com

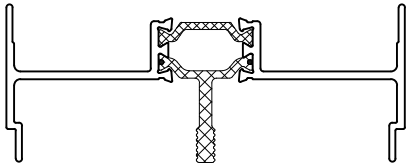
Horizontal Slider – 4” Frame Options Heads



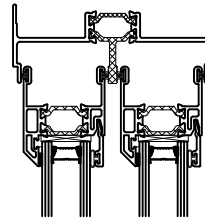
Series: GT0200 Manufacturing Code: GT0211

Drawing 1/2 Scale – For Custom Size Drawing Contact Graham

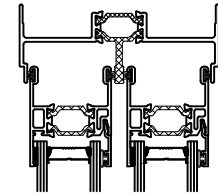
Note: Sealant Not Shown On Details. Refer To General Installation Instructions.



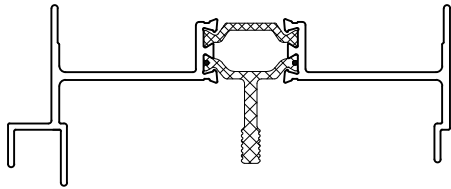
Equal Leg Frame Head
P/N 020210



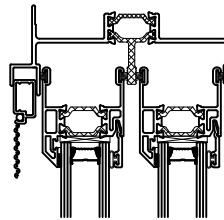
Detail Scale 1:4



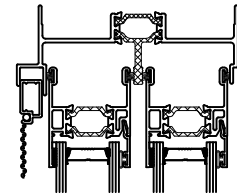
Detail Scale 1:4



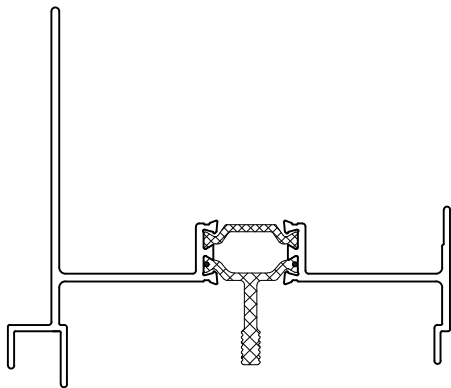
Equal Leg Frame Head
With Screen Track
P/N 020211



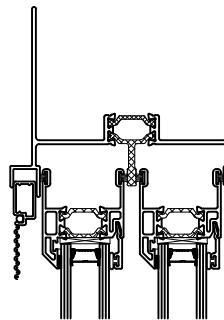
Detail Scale 1:4



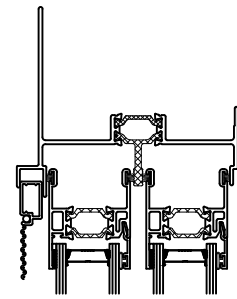
Detail Scale 1:4



2” Flange Frame Head
With Screen Track
P/N 020213



Detail Scale 1:4



Detail Scale 1:4

Horizontal Slider – 4”

Frame Options

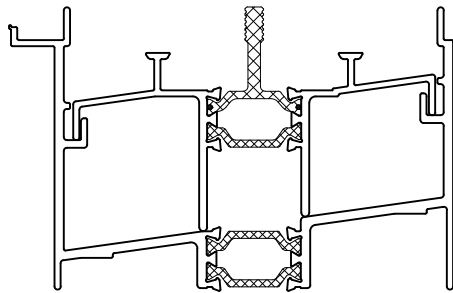
10 PSF Sills

Series: GT0200

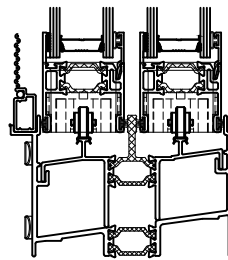
Manufacturing Code: GT0214

Drawing 1/2 Scale – For Custom Size Drawing Contact Graham

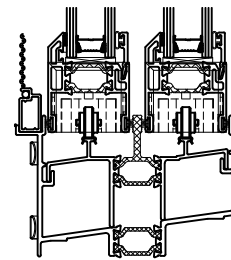
Note: Sealant Not Shown On Details. Refer To General Installation Instructions.



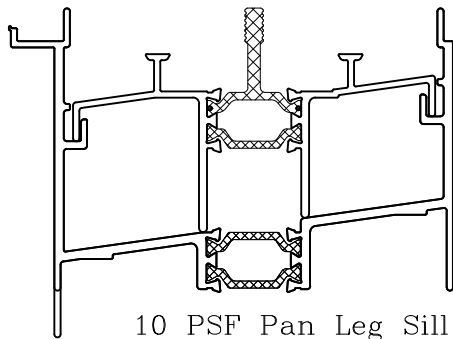
10 PSF Equal Leg Sill
With Screen Track



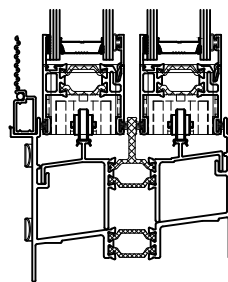
Detail Scale 1:4



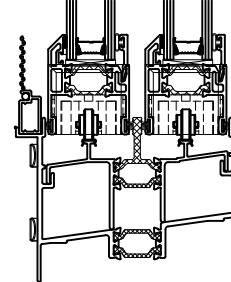
Detail Scale 1:4



10 PSF Pan Leg Sill



Detail Scale 1:4



Detail Scale 1:4

Horizontal Slider - 4"

Frame Options

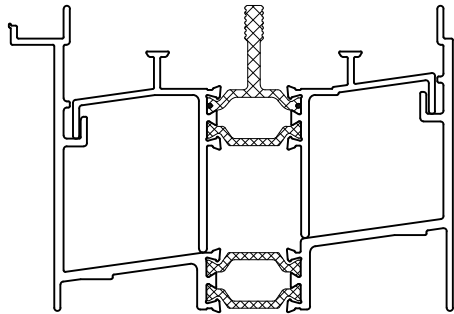
12 PSF Sills

Series: GT0200

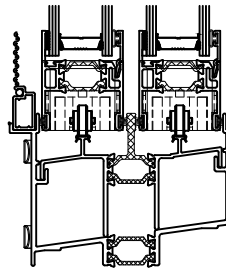
Manufacturing Code: GT0216

Drawing 1/2 Scale - For Custom Size Drawing Contact Graham

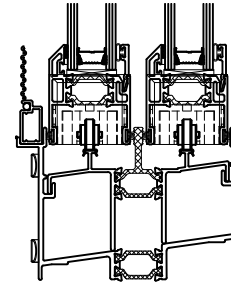
Note: Sealant Not Shown On Details. Refer To General Installation Instructions.



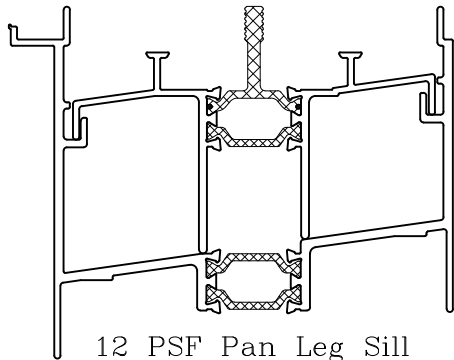
12 PSF Equal Leg Sill
With Screen Track



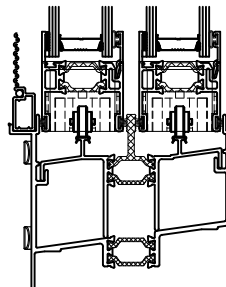
Detail Scale 1:4



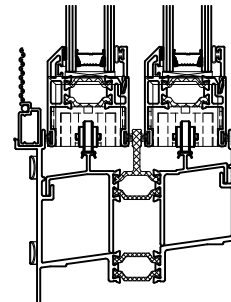
Detail Scale 1:4



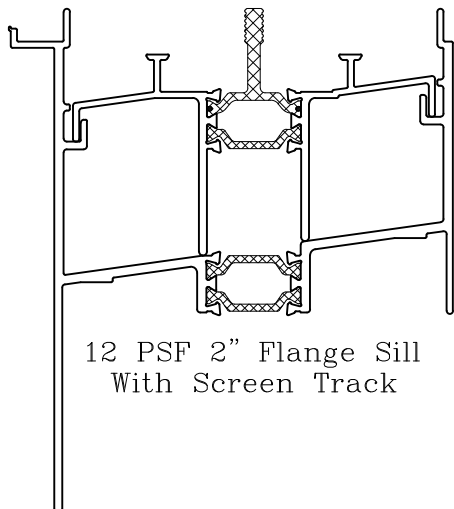
12 PSF Pan Leg Sill
With Screen Track



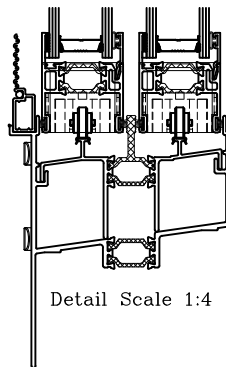
Detail Scale 1:4



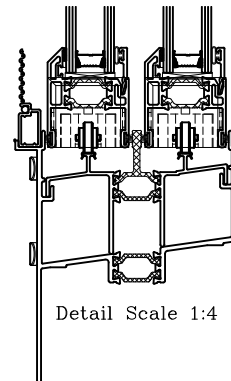
Detail Scale 1:4



12 PSF 2" Flange Sill
With Screen Track



Detail Scale 1:4



Detail Scale 1:4

Horizontal Slider - 4" Frame Options Jambs

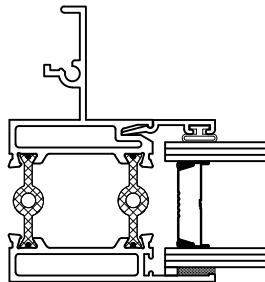


Series: GT0200

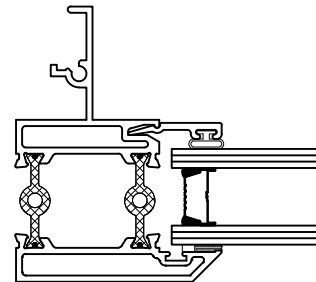
Manufacturing Code: GT0220

Drawing 1/2 Scale - For Custom Size Drawing Contact Graham

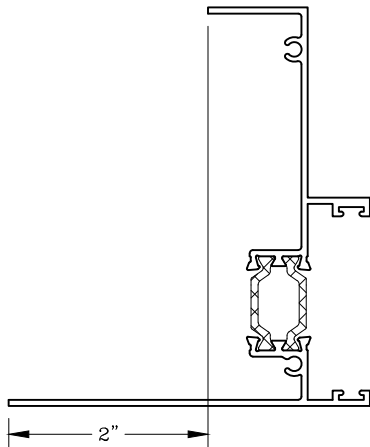
Note: Sealant Not Shown On Details. Refer To General Installation Instructions.



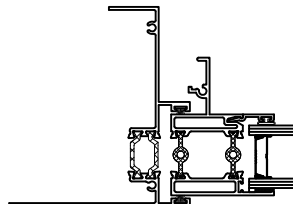
1 1/4" IG Non Historic
Vent Stile With Pull Rail



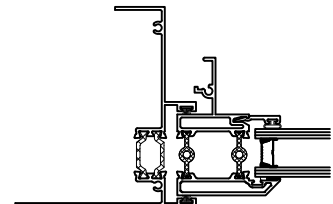
1" IG Historic
Vent Stile With Pull Rail



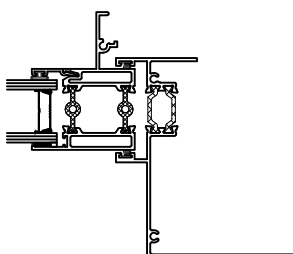
2" Flange Frame Jamb
P/N 020402



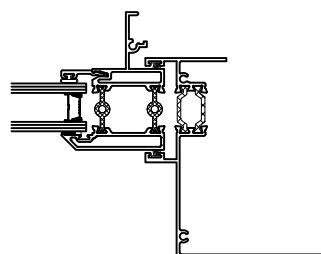
Shown With Pull Rail Stile
Detail Scale 1:4



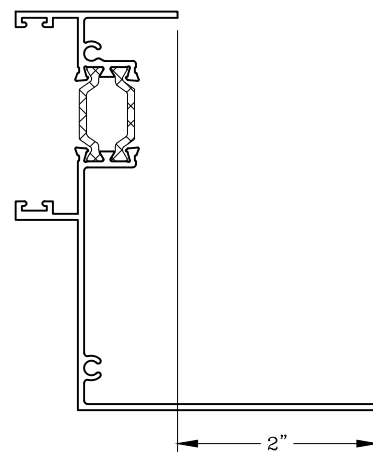
Shown With Pull Rail Stile
Detail Scale 1:4



Shown With Pull Rail Stile
Detail Scale 1:4



Shown With Pull Rail Stile
Detail Scale 1:4



2" Flange Frame Jamb
P/N 020403

Graham Architectural Products reserves the right to change, add, cancel, remove or otherwise modify the details illustrated without prior notice.

1551 Mt. Rose Avenue, York, Pennsylvania 17403-2909 717.849.8100 Toll Free: 800/755-6274

0324 - GT02.20

Web Site: www.grahamwindows.com

Horizontal Slider – 4”

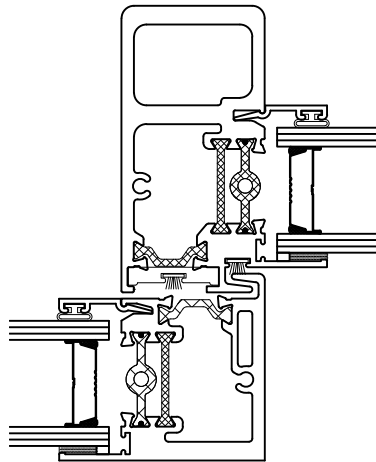
Frame Options

Meeting Rails – AW 40 Rated

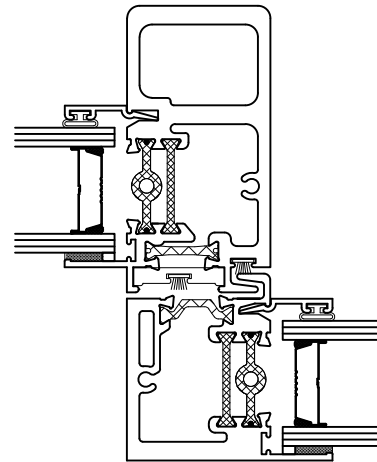
Series: GT0200 Manufacturing Code: GT0222

Drawing 1/2 Scale – For Custom Size Drawing Contact Graham

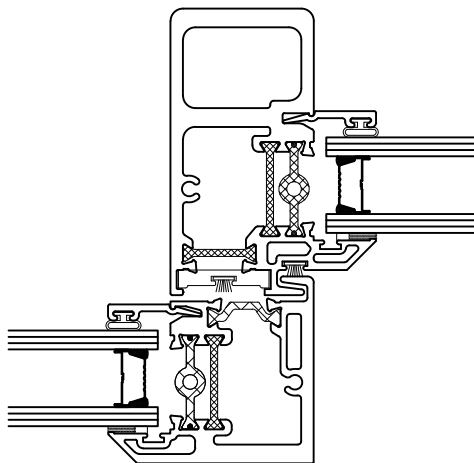
Note: Sealant Not Shown On Details. Refer To General Installation Instructions.



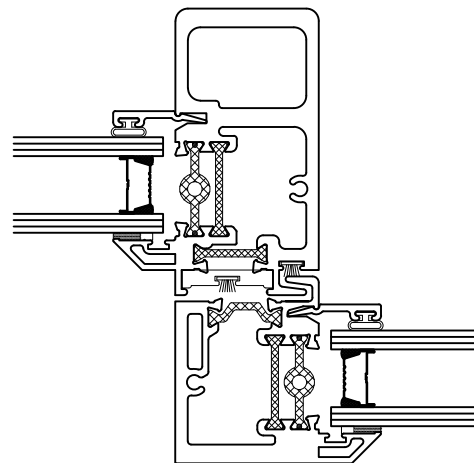
1 1/4" IG Non Historic
AW 40 Rated
OX – Shown
XO – Opposite



1 1/4" IG Non Historic
AW 40 Rated
OXO Left Slide – Shown
OXO Right Slide – Opposite



1" IG Historic
AW 40 Rated
OX – Shown
XO – Opposite



1" IG Historic
AW 40 Rated
OXO Left Slide – Shown
OXO Right Slide – Opposite

Graham Architectural Products reserves the right to change, add, cancel, remove or otherwise modify the details illustrated without prior notice.

1551 Mt. Rose Avenue, York, Pennsylvania 17403-2909 717.849.8100 Toll Free: 800/755-6274

0324 – GT02.22

Web Site: www.grahamwindows.com

Horizontal Slider – 4”

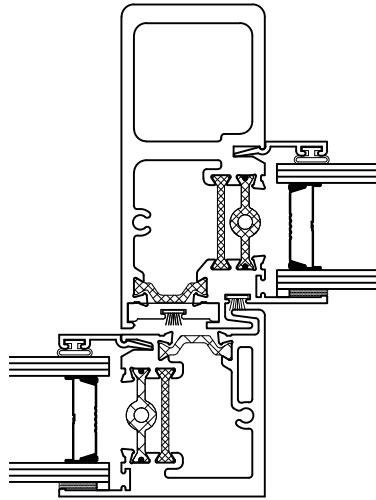
Frame Options

Meeting Rails – AW 60 Rated

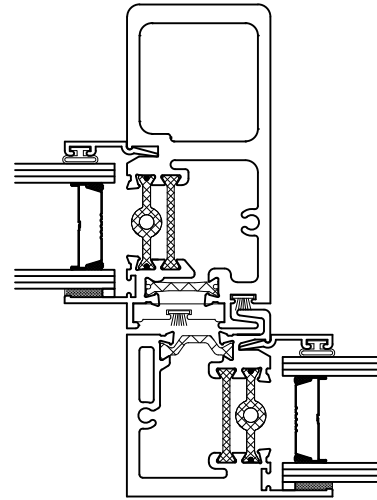
Series: GT0200 Manufacturing Code: GT0223

Drawing 1/2 Scale – For Custom Size Drawing Contact Graham

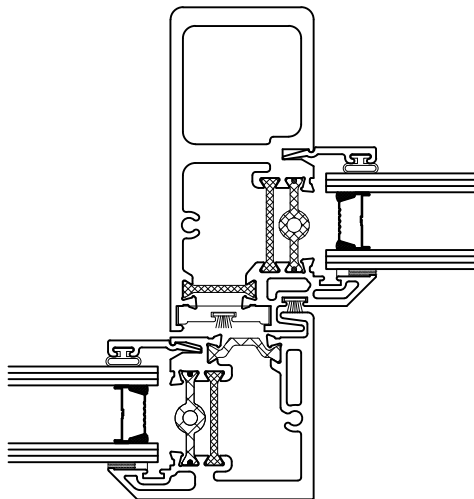
Note: Sealant Not Shown On Details. Refer To General Installation Instructions.



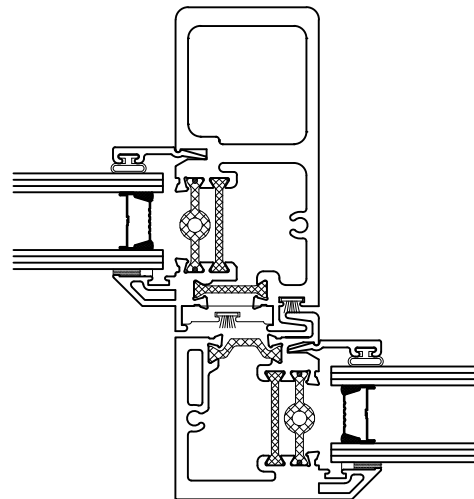
1 1/4" IG Non Historic
AW 60 Rated
OX – Shown
XO – Opposite



1 1/4" IG Non Historic
AW 60 Rated
OXO Left Slide – Shown
OXO Right Slide – Opposite



1" IG Historic
AW 60 Rated
OX – Shown
XO – Opposite



1" IG Historic
AW 60 Rated
OXO Left Slide – Shown
OXO Right Slide – Opposite

Graham Architectural Products reserves the right to change, add, cancel, remove or otherwise modify the details illustrated without prior notice.

1551 Mt. Rose Avenue, York, Pennsylvania 17403-2909 717.849.8100 Toll Free: 800/755-6274

0324 – GT02.23

Web Site: www.grahamwindows.com

Horizontal Slider - 4"

Lock Option

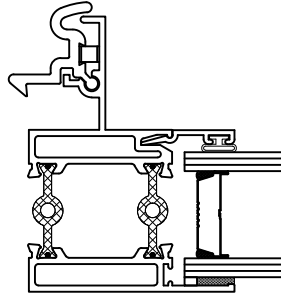
Extruded Spring Latch

Series: GT0200

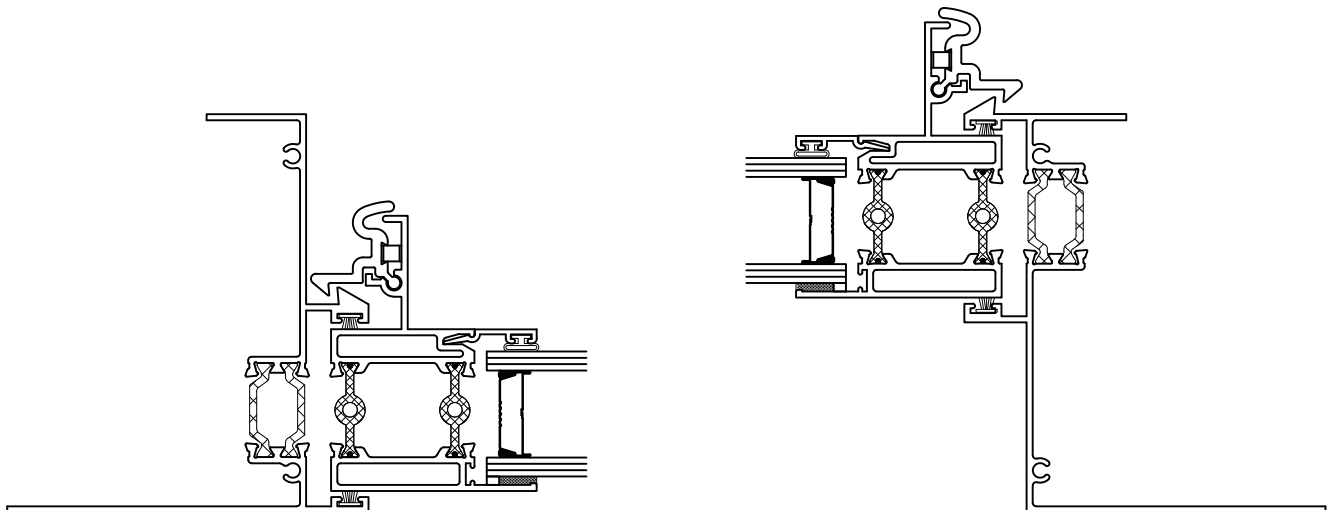
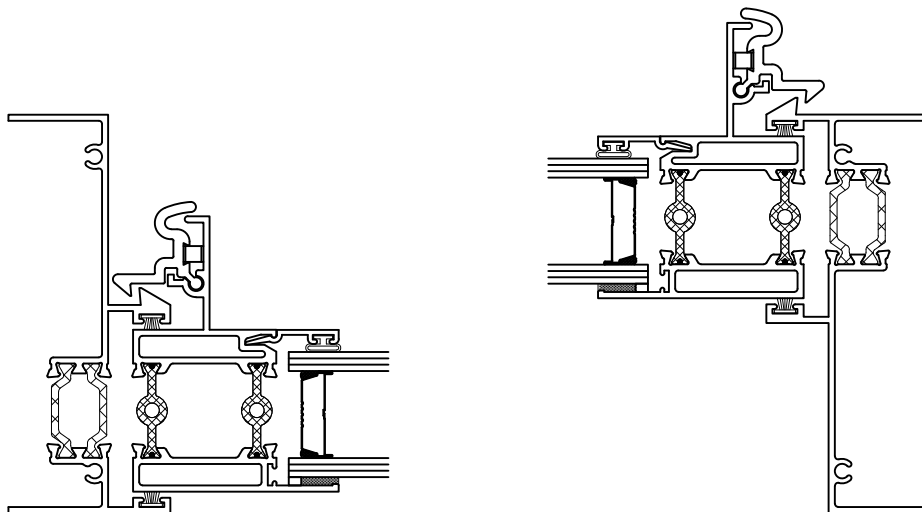
Manufacturing Code: GT0225

Drawing 1/2 Scale - For Custom Size Drawing Contact Graham

Note: Sealant Not Shown On Details. Refer To General Installation Instructions.



1/4" IG Non Historic
Vent Stile With
Extruded Spring Latch



Graham Architectural Products reserves the right to change, add, cancel, remove or otherwise modify the details illustrated without prior notice.

1551 Mt. Rose Avenue, York, Pennsylvania 17403-2909 717.849.8100 Toll Free: 800/755-6274

0324 - GT02.25

Web Site: www.grahamwindows.com

Horizontal Slider - 4"

Lock Option

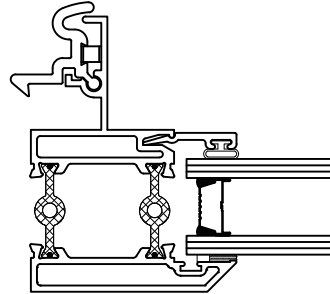
Extruded Spring Latch

Series: GT0200

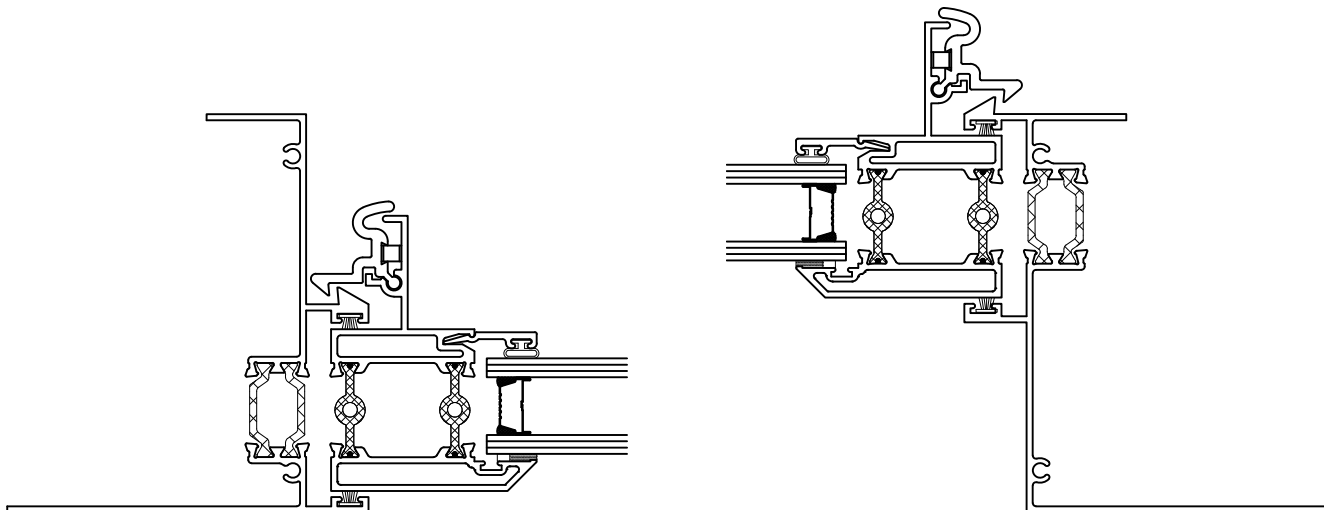
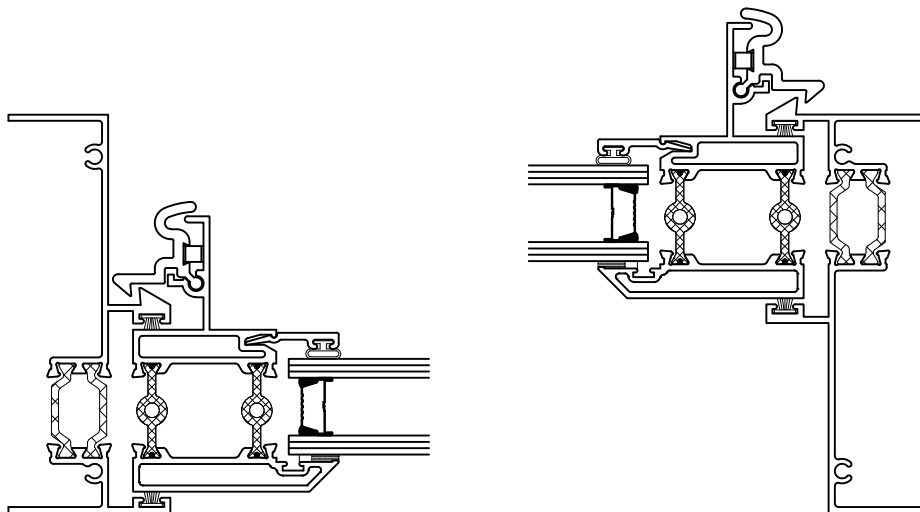
Manufacturing Code: GT0226

Drawing 1/2 Scale - For Custom Size Drawing Contact Graham

Note: Sealant Not Shown On Details. Refer To General Installation Instructions.



1" IG Historic
Vent Stile With
Extruded Spring Latch



Graham Architectural Products reserves the right to change, add, cancel, remove or otherwise modify the details illustrated without prior notice.

1551 Mt. Rose Avenue, York, Pennsylvania 17403-2909 717.849.8100 Toll Free: 800/755-6274

0324 - GT02.26

Web Site: www.grahamwindows.com

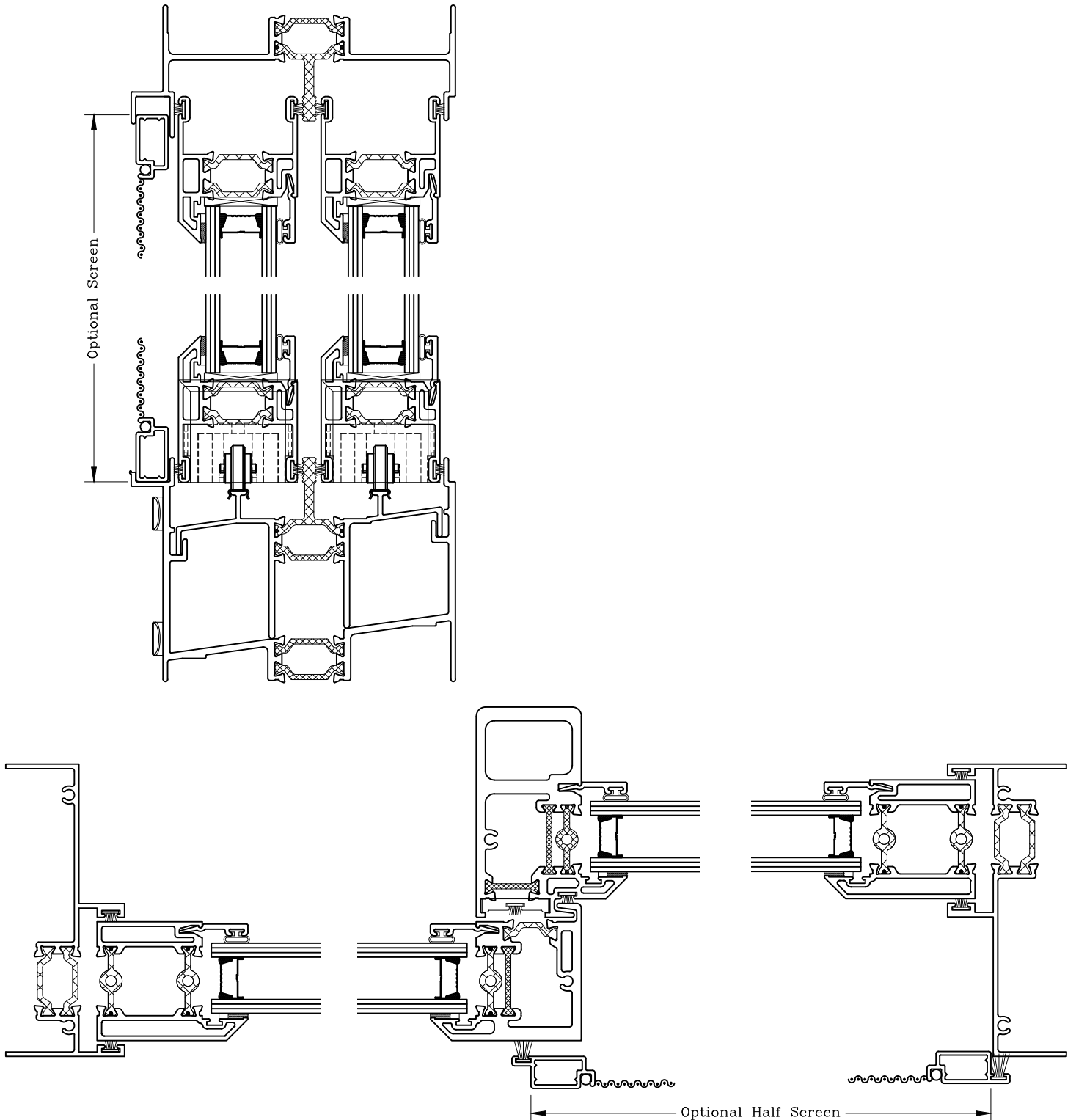
Horizontal Slider - 4" Screen Option



Series: GT0200 Manufacturing Code: GT0228

Drawing 1/2 Scale - For Custom Size Drawing Contact Graham

Note: Sealant Not Shown On Details. Refer To General Installation Instructions.



Graham Architectural Products reserves the right to change, add, cancel, remove or otherwise modify the details illustrated without prior notice.

1551 Mt. Rose Avenue, York, Pennsylvania 17403-2909 717.849.8100 Toll Free: 800/755-6274

0324 - GT02.28

Web Site: www.grahamwindows.com

Horizontal Slider - 4" Screen Option

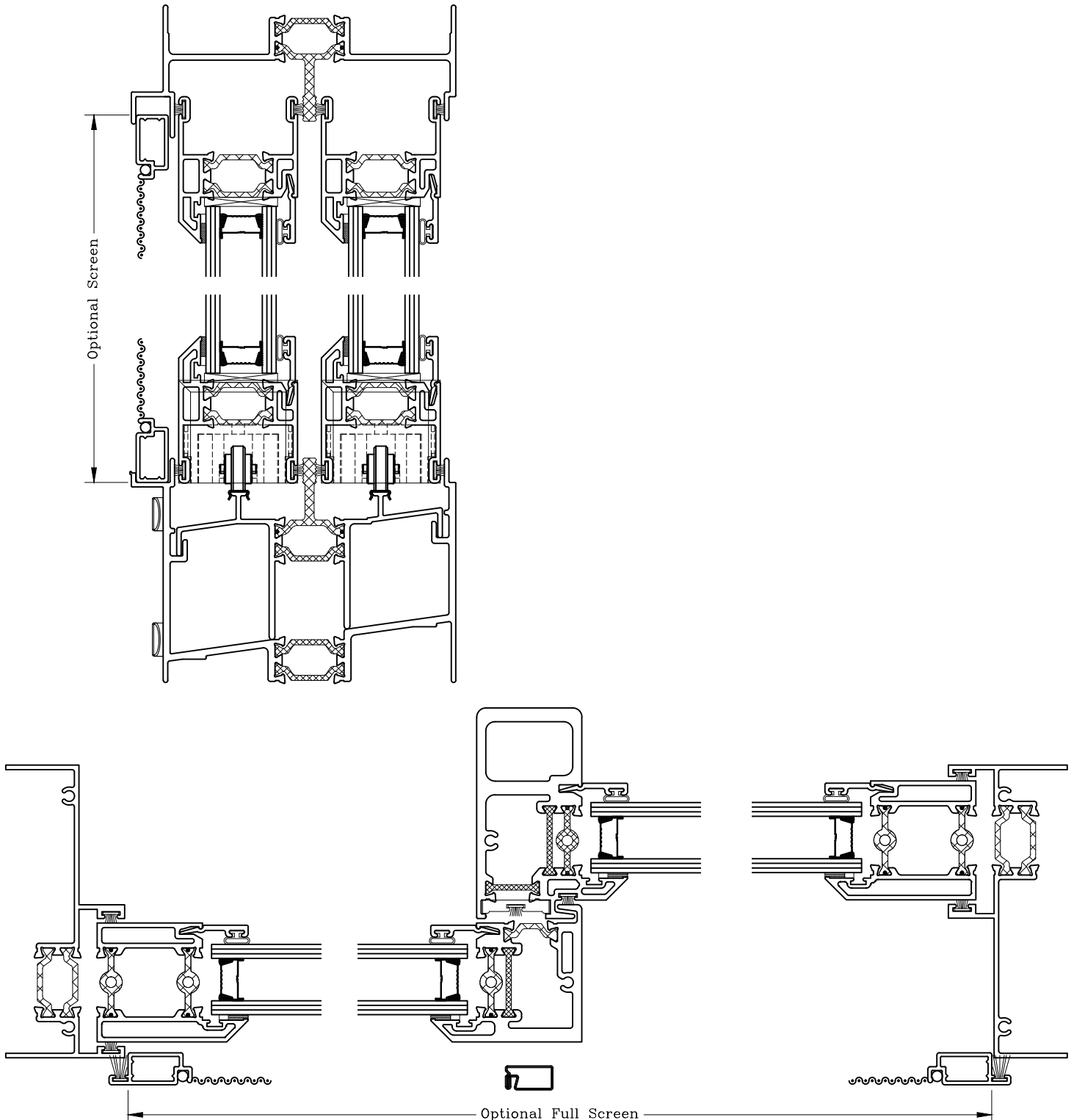


Series: GT0200

Manufacturing Code: GT0229

Drawing 1/2 Scale - For Custom Size Drawing Contact Graham

Note: Sealant Not Shown On Details. Refer To General Installation Instructions.



Graham Architectural Products reserves the right to change, add, cancel, remove or otherwise modify the details illustrated without prior notice.

1551 Mt. Rose Avenue, York, Pennsylvania 17403-2909 717.849.8100 Toll Free: 800/755-6274

0324 - GT02.29

Web Site: www.grahamwindows.com